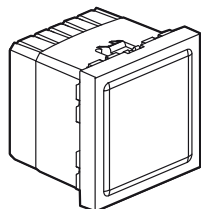
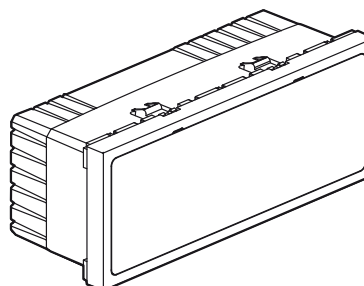


Mosaic™ Signalling devices

Cat. Nos: 0 785 20/21/22/23/24



0 785 20/21/24

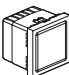
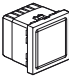
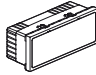
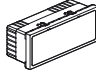
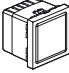


0 785 22/23

1. USE

Signalling devices using different coloured LED lighting.

2. RANGE

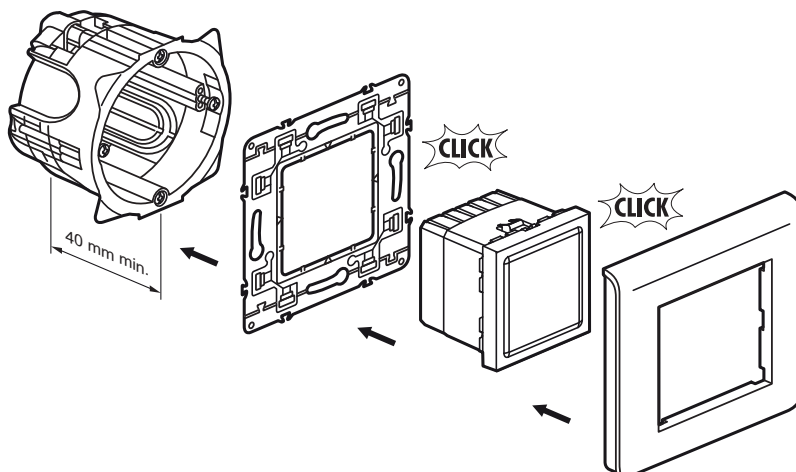
	Designation	Cat. No.	Number of modules	Fixing method	Connection method	Weight (g)	Characteristics
	White signalling device	0 785 20	2	with clip	with screws	36.49	230 V - 0.2 / 1 W
	Blue signalling device	0 785 21	2	with clip	with screws	36.49	230 V - 0.2 / 1 W
	White signalling device	0 785 22	5	with clip	with screws	71.69	230 V - 1 W
	Blue signalling device	0 785 23	5	with clip	with screws	71.69	230 V - 1 W
	Two-colour green/red signalling device	0 785 24	2	with clip	with screws	36.49	230 V - 2 x 1 W

3. PREPARATION

The mechanisms can be flush-mounted or surface-mounted.

Cat. Nos 0 785 20/21/24: Modular mechanisms using adapter Cat. No. 0 802 99 (2 modules).

The mechanisms are mounted on thin walls using adapters Cat. No. 0 802 91 (2 modules).

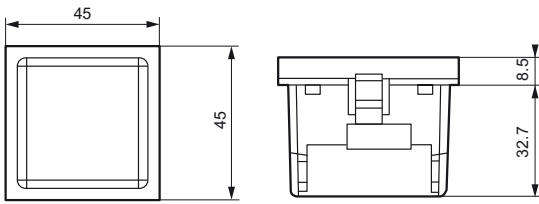


Mosaic™ Signalling devices

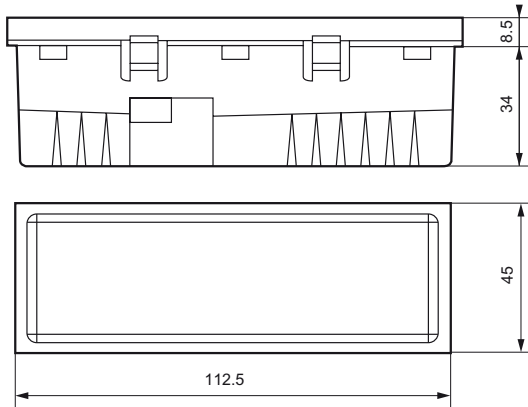
Cat. Nos: 0 785 20/21/22/23/24

4. OVERALL DIMENSIONS

Cat. Nos 0 785 20/21/24



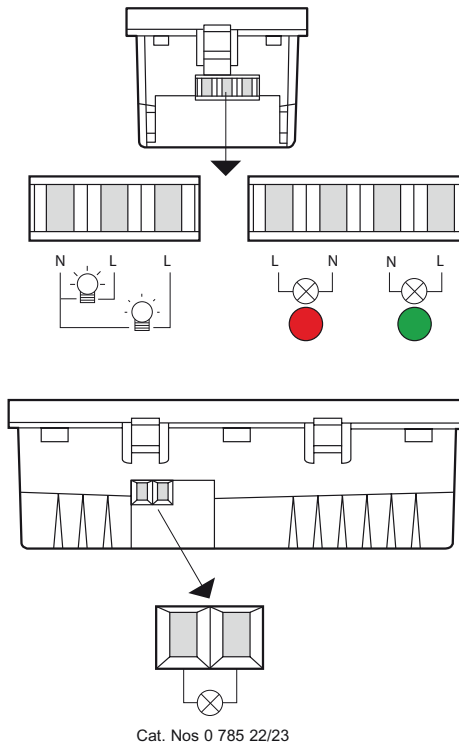
Cat. Nos 0 785 22/23



5. CONNECTION

Type of screwdriver: flat-blade screwdriver 3.5 mm
or philips No.1
or posidrive No.1
ou mixed size 0.

Terminal capacity: 1 x 2.5 mm² or 2 x 1.5 mm²
Stripping length: 8 mm



6. TECHNICAL CHARACTERISTICS

6.1 Mechanical characteristics

Impact tests: IK 04
Penetration by solid bodies/liquid: IP 41 (C15-100)

6.2 Material characteristics

Base: Polycarbonate
Cover plate: ABS (RAL 9003)
Indicator light: Polycarbonate

6.3 Electrical characteristics

Degree of severity 850° C for parts made of insulating material holding current-carrying parts, and 650° C for other parts.
Self-extinguishing: 230 V
Frequency: 50/60 Hz
Power: 0 785 20/21/24

0.2 W	1 W

0 785 22/23 : 1 W

6.4 Climatic characteristics

Storage temperatures: - 10° C to + 70° C
Operating temperatures : - 5° C to + 50° C

7. CLEANING

Surface cleaning with a cloth.
Do not use: acetone, tar remover, trichloroethylene.

7.1 Resistance to the following agents.

Hexane (EN 60669-1), Methylated spirits, Soapy water, Diluted ammonia, Diluted pure bleach 10%, Glass cleaning substance, Pre-impregnated wipes.

7.2 Resistance to hospital-type cleaning agents.

Resistance to the following agents: Anios, Surfanios, Bactylsine, Diluted hydrogen peroxide (35%).

Caution: A preliminary test should be carried out if other specific cleaning products are to be used.

8. CONFORMITY - APPROVALS

These devices are in accordance with standard NF EN 62094-1 (2003).
CB