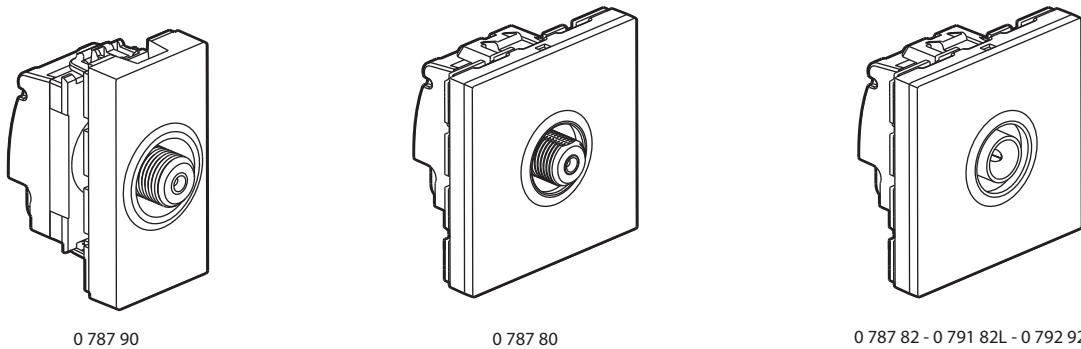


Mosaic™
Single television sockets

Cat. No(s): 0 787 80/82/90/93 - 0 791 82L - 0 792 92



0 787 90

0 787 80

0 787 82 - 0 791 82L - 0 792 92

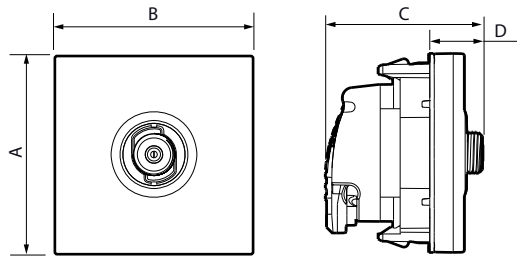
1. USE

For DVBT installation.
 UHD TV compatible.
 Class A shielded star sockets LTE Ready (4G protected).
 Recommended coaxial cable 17/19 VATC
 Can be flush mounted in a box min. 40 mm deep.
 To be equipped with plate.

2. RANGE

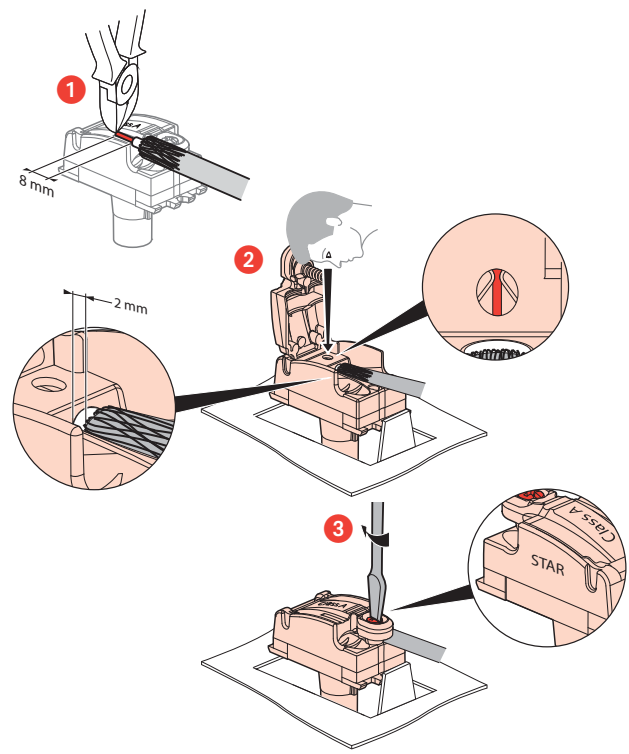
Description	White	Alu	Mat Black
Single F type female TV socket screw-in connector - 2 modules	0 787 80	-	-
Single F type female TV socket screw-in connector - 1 module	0 787 90	-	-
Single male TV socket Ø 9.52 mm 2 modules	0 787 82	0 792 92	0 791 82L
Single male TV socket Ø 9.52 mm 1 module	0 783 93	-	-

3. DIMENSIONS (mm)

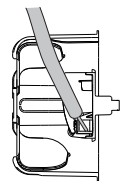
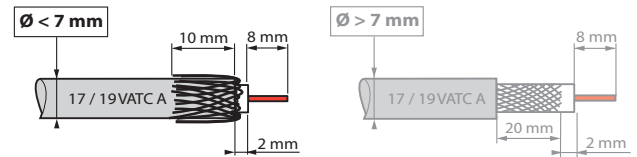


Cat. No.	A	B	C	D
0 787 80	45	45	35.5	12
0 787 90	45	22.5	35.5	12
0 787 82 - 0 791 82L - 0 792 92	45	45	32.5	9
0 787 93	45	22.5	32.5	9

4. CONNECTION



5. WIRING PRECAUTIONS



By restricting deformation of the coaxial cable, the rear connection avoids impedance discontinuity, thereby sustaining performance.

6. TECHNICAL CHARACTERISTICS

■ 6.1 Mechanical characteristics

Protection against impacts: IK 03
Protection against solid/bodies and liquids: IP 21
Cable resistance: 120 N

■ 6.2 Material characteristics

Cover plate: ABS
White RAL 9003
Painted Aluminium varnished gliettery
Painted Mat Black RAL 9017 satin

Halogen-free
UV-resistant

Motor: Box: Zamac
Cover: Zamac
Pin: Bronze
Screws: Steel

Self-extinguishing:
850°C/30 s for insulating parts holding live parts in place.
650°C/30 s for other parts made of insulating materials.

■ 6.3 Electrical characteristics

Characteristic impedance: 75 ohm
Class A shielding efficiency (class A shielding is necessary to prevent interference caused by using new 3 and 4 G phone signals, as these unwanted signals can result in pixellation on screen or adversely affect the sound track).

Frequency bands: TV/SAT - 0-2400 MHz
Attenuation: 1dB maximum

■ 6.4 Climate characteristics

Storage temperature: -10°C to +70°C
Usage temperature: -5°C to +35°C

7. CLEANING

Surface cleaning with a cloth.
Do not use acetone, tar remover, trichloroethylene.

Resistant to the following products: Hexane (NF C 61-314), Methylated spirit, soapy water, diluted ammonia, bleach diluted to 10 %, window-cleaning products, pre-impregnated wipes.

Caution: Always test before using special cleaning products.

8. STANDARDS AND APPROVALS

Compliant with installation and manufacturing standards.
See to e-catalogue.

9. PERFORMANCES

