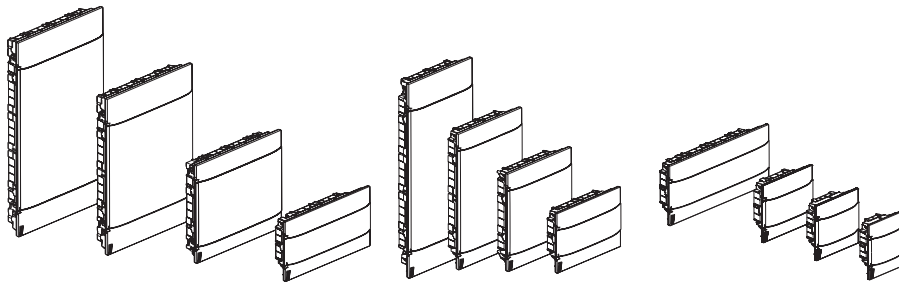


Practibox S flush-mounting cabinets with unprotected terminal blocks on a support

Cat. No(s): 1 340 44/46/48/54/56/58/64/66/68/74/76/78
 1 341 44/46/48/54/56/58/64/66/68/74/76/78 - 1 345 44/46/48/54/56/58/64/66/
 68/74/76/78 - 1 350 41/42/43/44/51/52/53/54/61/62/63/64/71/72/73/74
 1 351 41/42/43/44/51/52/53/54/61/62/63/64/71/72/73/74 - 1 352 21/22/
 23/24/31/32/33/34/41/42/43/44/51/52/53/54 - 1 353 01/02/03/04/11/12/
 13/14/61/62/63/64/71/72/73/74 - 1 354 01/02/03/04/11/12/13/14 - 1 355 41/
 42/43/44/51/52/53/54/61/62/63/64/71/72/73/74 - 1 370 45/46/47/48/49/55/
 56/57/58/59/65/66/67/68/69/75/76/77/78/79 - 1 371 45/46/47/48/49/55/56/
 57/58/59/65/66/67/68/69/75/76/77/78/79 - 1 372 25/26/27/28/29/35/
 36/37/38/39/45/46/47/48/49/55/56/57/58/59 - 1 373 06/08/09/16/18/19/
 65/66/67/68/69/75/76/77/78/79 - 1 374 05/06/07/08/09/15/16/17/18/19
 1 375 45/46/47/48/49/55/56/57/58/59/65/66/67/68/69/75/76/77/78/79



CONTENTS	Page
1. Description, use	1
2. Range	1
3. Dimensions.....	7
4. General characteristics	9
5. Compliance and approvals.....	15
6. Installation add-ons.....	16

1. DESCRIPTION, USE

Flush-mounting cabinets with 1 to 4 rows, 4 to 22 modules depending on the model, for residential and small commercial installations.
 2 door finishes: white or transparent (smoked)
 Flush-mounted in dry partition, brick or masonry walls, with 72 mm shallow box.
 Boxes for dry partitions: green with resistance to glow wire 850°C, fixing claws supplied
 Boxes for masonry: black with resistance to glow wire 650°C
 Halogen-free enclosures
 Conforming to standard IEC 60 670-24 Edition 2.0 2011-03
 Used to create assemblies conforming to IEC 61 439-3 Edition 1.0 2012-02
 Flush-mounting box 72 mm deep classified 7-8-1 in accordance with IEC 60 670-24
 Space under rails: 10 mm
 Distance between rails: 150 mm

2. RANGES

Cat. No.	No. of rows	No. of modules per row	Box type	Door colour	Terminal block	Terminal block short-circuit current
1 340 44	1	4	Masonry	white	Earth	6 kA
1 341 44					Earth + Neutral	
1 345 44					Earth + Neutral	
1 340 54				transparent	Earth	
1 341 54					Earth + Neutral	
1 345 54					Earth + Neutral	
1 340 64			Dry partition	white	Earth	
1 341 64					Earth + Neutral	
1 345 64					Earth + Neutral	
1 340 74				transparent	Earth	
1 341 74					Earth + Neutral	
1 345 74					Earth + Neutral	
1 340 46	1	6	Masonry	white	Earth	6 kA
1 341 46					Earth + Neutral	
1 345 46					Earth + Neutral	
1 340 56			transparent	Earth		
1 341 56				Earth + Neutral		
1 345 56				Earth + Neutral		

Practibox S flush-mounting cabinets with unprotected terminal blocks on a support

Cat. No(s): 1 340 44/46/48/54/56/58/64/66/68/74/76/78
 1 341 44/46/48/54/56/58/64/66/68/74/76/78 - 1 345 44/46/48/54/56/58/64/66/68/74/76/78 - 1 350 41/42/43/44/51/52/53/54/61/62/63/64/71/72/73/74
 1 351 41/42/43/44/51/52/53/54/61/62/63/64/71/72/73/74 - 1 352 21/22/23/24/31/32/33/34/41/42/43/44/51/52/53/54 - 1 353 01/02/03/04/11/12/13/14/61/62/63/64/71/72/73/74 - 1 354 01/02/03/04/11/12/13/14 - 1 355 41/42/43/44/51/52/53/54/61/62/63/64/71/72/73/74 - 1 370 45/46/47/48/49/55/56/57/58/59/65/66/67/68/69/75/76/77/78/79 - 1 371 45/46/47/48/49/55/56/57/58/59/65/66/67/68/69/75/76/77/78/79 - 1 372 25/26/27/28/29/35/36/37/38/39/45/46/47/48/49/55/56/57/58/59 - 1 373 06/08/09/16/18/19/65/66/67/68/69/75/76/77/78/79 - 1 374 05/06/07/08/09/15/16/17/18/19
 1 375 45/46/47/48/49/55/56/57/58/59/65/66/67/68/69/75/76/77/78/79

2. RANGES (continued)

Cat. No.	No. of rows	No. of modules per row	Box type	Door colour	Terminal block	Terminal block short-circuit current					
1 340 66	1	6	Dry partition	white	Earth	6 kA					
1 341 66					Earth + Neutral						
1 345 66					Earth + Neutral						
1 340 76				transparent	Earth						
1 341 76					Earth + Neutral						
1 345 76					Earth + Neutral						
1 340 48	1	8	Masonry	white	Earth	6 kA					
1 341 48					Earth + Neutral						
1 343 08					X Neutral						
1 345 48					Earth + Neutral						
1 340 58				transparent	Earth						
1 341 58					Earth + Neutral						
1 343 18					X Neutral						
1 345 58					Earth + Neutral						
1 340 68			Dry partition	White	Earth						
1 341 68					Earth + Neutral						
1 345 68					Earth + Neutral						
1 340 78					Earth						
1 341 78				transparent	Earth + Neutral						
1 345 78					Earth + Neutral						
1 350 41					1		12	Masonry	white	Earth	6 kA
1 351 41										Earth + Neutral	6 kA
1 352 21	Earth + X Neutral	10 kA									
1 353 01	X Neutral	6 kA									
1 353 61	Earth + X Neutral										
1 355 41	Earth + Neutral										
1 350 51	transparent	Earth	6 kA								
1 351 51		Earth + Neutral									
1 352 31		Earth + X Neutral		10 kA							
1 353 11		X Neutral	6 kA								
1 353 71		Earth + X Neutral									
1 355 51		Earth + Neutral									
1 350 61	Dry partition	white	Earth	10 kA							
1 351 61			Earth + Neutral								
1 352 41			Earth + X Neutral								
1 354 01			Earth + X Neutral	6 kA							
1 355 61			Earth + Neutral								
1 350 71		transparent	Earth	6 kA							
1 351 71			Earth + Neutral								
1 352 51			Earth + X Neutral	10 kA							
1 354 11			Earth + X Neutral	6 kA							
1 355 71			Earth + Neutral								

Practibox S flush-mounting cabinets with unprotected terminal blocks on a support

Cat. No(s): 1 340 44/46/48/54/56/58/64/66/68/74/76/78
 1 341 44/46/48/54/56/58/64/66/68/74/76/78 - 1 345 44/46/48/54/56/58/64/66/68/74/76/78 - 1 350 41/42/43/44/51/52/53/54/61/62/63/64/71/72/73/74
 1 351 41/42/43/44/51/52/53/54/61/62/63/64/71/72/73/74 - 1 352 21/22/23/24/31/32/33/34/41/42/43/44/51/52/53/54 - 1 353 01/02/03/04/11/12/13/14/61/62/63/64/71/72/73/74 - 1 354 01/02/03/04/11/12/13/14 - 1 355 41/42/43/44/51/52/53/54/61/62/63/64/71/72/73/74 - 1 370 45/46/47/48/49/55/56/57/58/59/65/66/67/68/69/75/76/77/78/79 - 1 371 45/46/47/48/49/55/56/57/58/59/65/66/67/68/69/75/76/77/78/79 - 1 372 25/26/27/28/29/35/36/37/38/39/45/46/47/48/49/55/56/57/58/59 - 1 373 06/08/09/16/18/19/65/66/67/68/69/75/76/77/78/79 - 1 374 05/06/07/08/09/15/16/17/18/19
 1 375 45/46/47/48/49/55/56/57/58/59/65/66/67/68/69/75/76/77/78/79

2. RANGES (continued)

Cat. No.	No. of rows	No. of modules per row	Box type	Door colour	Terminal block	Terminal block short-circuit current
1 350 42	2	12	Masonry	white	Earth	6 kA
1 351 42					Earth + Neutral	
1 352 22					Earth + X Neutral	10 kA
1 353 02					X Neutral	
1 353 62					Earth + X Neutral	
1 355 42				Earth + Neutral	6 kA	
1 350 52				Earth		
1 351 52				Earth + Neutral		
1 352 32				Earth + X Neutral		10 kA
1 353 12				X Neutral		
1 353 72			Earth + X Neutral	6 kA		
1 355 52			Earth + Neutral			
1 350 62			Earth			
1 351 62			Earth + Neutral			
1 352 42			Earth + X Neutral		10 kA	
1 354 02			Earth + X Neutral			
1 355 62			Earth + Neutral	6 kA		
1 350 72			Earth			
1 351 72			Earth + Neutral			
1 352 52			Earth + X Neutral		10 kA	
1 354 12	Earth + X Neutral					
1 355 72	Earth + Neutral	6 kA				
1 350 43	3		12	Masonry	white	Earth
1 351 43		Earth + Neutral				
1 352 23		Earth + X Neutral				10 kA
1 353 03		X Neutral				
1 353 63		Earth + X Neutral				
1 355 43		Earth + Neutral			6 kA	
1 350 53		Earth				
1 351 53		Earth + Neutral				
1 352 33		Earth + X Neutral				10 kA
1 353 13		X Neutral				
1 353 73		Earth + X Neutral		6 kA		
1 355 53		Earth + Neutral				
1 350 63		Earth				
1 351 63		Earth + Neutral				
1 352 43		Earth + X Neutral			10 kA	
1 354 03		Earth + X Neutral				
1 355 63		Earth + Neutral		6 kA		
1 350 73		Earth				
1 351 73		Earth + Neutral				
1 352 53		Earth + X Neutral			10 kA	
1 354 13	Earth + X Neutral					
1 355 73	Earth + Neutral	6 kA				
1 350 63	Dry partition		white	Earth	6 kA	
1 351 63		Earth + Neutral				
1 352 43		Earth + X Neutral		10 kA		
1 354 03		Earth + X Neutral				
1 355 63		Earth + Neutral		6 kA		
1 350 73		Earth				
1 351 73		Earth + Neutral				
1 352 53		Earth + X Neutral	10 kA			
1 354 13		Earth + X Neutral				
1 355 73		Earth + Neutral	6 kA			
1 350 73	transparent	Earth		6 kA		
1 351 73		Earth + Neutral				
1 352 53		Earth + X Neutral	10 kA			
1 354 13		Earth + X Neutral				
1 355 73		Earth + Neutral	6 kA			

Practibox S flush-mounting cabinets with unprotected terminal blocks on a support

Cat. No(s): 1 340 44/46/48/54/56/58/64/66/68/74/76/78
 1 341 44/46/48/54/56/58/64/66/68/74/76/78 - 1 345 44/46/48/54/56/58/64/66/68/74/76/78 - 1 350 41/42/43/44/51/52/53/54/61/62/63/64/71/72/73/74
 1 351 41/42/43/44/51/52/53/54/61/62/63/64/71/72/73/74 - 1 352 21/22/23/24/31/32/33/34/41/42/43/44/51/52/53/54 - 1 353 01/02/03/04/11/12/13/14/61/62/63/64/71/72/73/74 - 1 354 01/02/03/04/11/12/13/14 - 1 355 41/42/43/44/51/52/53/54/61/62/63/64/71/72/73/74 - 1 370 45/46/47/48/49/55/56/57/58/59/65/66/67/68/69/75/76/77/78/79 - 1 371 45/46/47/48/49/55/56/57/58/59/65/66/67/68/69/75/76/77/78/79 - 1 372 25/26/27/28/29/35/36/37/38/39/45/46/47/48/49/55/56/57/58/59 - 1 373 06/08/09/16/18/19/65/66/67/68/69/75/76/77/78/79 - 1 374 05/06/07/08/09/15/16/17/18/19
 1 375 45/46/47/48/49/55/56/57/58/59/65/66/67/68/69/75/76/77/78/79

2. RANGES (continued)

Cat. No.	No. of rows	No. of modules per row	Box type	Door colour	Terminal block	Terminal block short-circuit current		
1 350 44	4	12	Masonry	white	Earth	6 kA		
1 351 44					Earth + Neutral			
1 352 24					Earth + X Neutral	10 kA		
1 353 04					X Neutral			
1 353 64					Earth + X Neutral	6 kA		
1 355 44				Earth + Neutral				
1 350 54				Earth				
1 351 54				Earth + Neutral	10 kA			
1 352 34				Earth + X Neutral				
1 353 14				X Neutral				
1 353 74			Earth + X Neutral	6 kA				
1 355 54			Earth + Neutral					
1 350 64			Earth		Dry partition	white	Earth + Neutral	10 kA
1 351 64			Earth + X Neutral					
1 352 44			Earth + X Neutral	6 kA				
1 354 04			Earth + Neutral					
1 355 64			Earth					
1 350 74			Earth + Neutral	transparent		white	Earth	10 kA
1 351 74			Earth + X Neutral					
1 352 54			Earth + X Neutral			6 kA		
1 354 14	Earth + X Neutral							
1 355 74	Earth + Neutral							
1 370 46	1	18	Masonry	white	Earth	10 kA		
1 371 46					Earth + Neutral			
1 372 26					Earth + X Neutral			
1 373 06					X Neutral			
1 373 66					Earth + X Neutral			
1 375 46				Earth + Neutral				
1 370 56				Earth	transparent		white	Earth + Neutral
1 371 56				Earth + X Neutral				
1 372 36				Earth + X Neutral			10 kA	
1 373 16				X Neutral				
1 373 76			Earth + X Neutral					
1 375 56			Earth + Neutral	Dry partition	white	Earth	10 kA	
1 370 66			Earth + Neutral					
1 371 66			Earth + X Neutral					
1 372 46			Earth + X Neutral					
1 374 06			Earth + Neutral					
1 375 66			Earth		transparent	white	Earth + X Neutral	
1 370 76			Earth + X Neutral					
1 371 76			Earth + X Neutral			10 kA		
1 372 56			Earth + X Neutral					
1 374 16	Earth + X Neutral							
1 375 76	Earth + Neutral							

Practibox S flush-mounting cabinets with unprotected terminal blocks on a support

Cat. No(s): 1 340 44/46/48/54/56/58/64/66/68/74/76/78
 1 341 44/46/48/54/56/58/64/66/68/74/76/78 - 1 345 44/46/48/54/56/58/64/66/68/74/76/78 - 1 350 41/42/43/44/51/52/53/54/61/62/63/64/71/72/73/74
 1 351 41/42/43/44/51/52/53/54/61/62/63/64/71/72/73/74 - 1 352 21/22/23/24/31/32/33/34/41/42/43/44/51/52/53/54 - 1 353 01/02/03/04/11/12/13/14/61/62/63/64/71/72/73/74 - 1 354 01/02/03/04/11/12/13/14 - 1 355 41/42/43/44/51/52/53/54/61/62/63/64/71/72/73/74 - 1 370 45/46/47/48/49/55/56/57/58/59/65/66/67/68/69/75/76/77/78/79 - 1 371 45/46/47/48/49/55/56/57/58/59/65/66/67/68/69/75/76/77/78/79 - 1 372 25/26/27/28/29/35/36/37/38/39/45/46/47/48/49/55/56/57/58/59 - 1 373 06/08/09/16/18/19/65/66/67/68/69/75/76/77/78/79 - 1 374 05/06/07/08/09/15/16/17/18/19
 1 375 45/46/47/48/49/55/56/57/58/59/65/66/67/68/69/75/76/77/78/79

2. RANGES (continued)

Cat. No.	No. of rows	No. of modules per row	Box type	Door colour	Terminal block	Terminal block short-circuit current
1 370 47	2	18	Masonry	white	Earth	10 kA
1 371 47					Earth + Neutral	
1 372 27					Earth + X Neutral	
1 373 67					Earth + X Neutral	
1 375 47					Earth + Neutral	
1 370 57				Earth		
1 371 57				Earth + Neutral		
1 372 37				Earth + X Neutral		
1 373 77				Earth + X Neutral		
1 375 57				Earth + Neutral		
1 370 67			Dry partition	white	Earth	
1 371 67					Earth + Neutral	
1 372 47					Earth + X Neutral	
1 374 07					Earth + X Neutral	
1 375 67					Earth + Neutral	
1 370 77				Earth		
1 371 77				Earth + Neutral		
1 372 57				Earth + X Neutral		
1 374 17				Earth + X Neutral		
1 375 77				Earth + Neutral		
1 370 48	3	18	Masonry	white	Earth	10 kA
1 371 48					Earth + Neutral	
1 372 28					Earth + X Neutral	
1 373 08					X Neutral	
1 373 68					Earth + X Neutral	
1 375 48				Earth + Neutral		
1 370 58				Earth		
1 371 58				Earth + Neutral		
1 372 38				Earth + X Neutral		
1 373 18				X Neutral		
1 373 78			Earth + X Neutral			
1 375 58			Earth + Neutral			
1 370 68			Dry partition	white	Earth	
1 371 68					Earth + Neutral	
1 372 48					Earth + X Neutral	
1 374 08					Earth + X Neutral	
1 375 68					Earth + Neutral	
1 370 78				Earth		
1 371 78				Earth + Neutral		
1 372 58				Earth + X Neutral		
1 374 18	Earth + X Neutral					
1 375 78	Earth + Neutral					

Practibox S flush-mounting cabinets with unprotected terminal blocks on a support

Cat. No(s): 1 340 44/46/48/54/56/58/64/66/68/74/76/78
 1 341 44/46/48/54/56/58/64/66/68/74/76/78 - 1 345 44/46/48/54/56/58/64/66/68/74/76/78 - 1 350 41/42/43/44/51/52/53/54/61/62/63/64/71/72/73/74
 1 351 41/42/43/44/51/52/53/54/61/62/63/64/71/72/73/74 - 1 352 21/22/23/24/31/32/33/34/41/42/43/44/51/52/53/54 - 1 353 01/02/03/04/11/12/13/14/61/62/63/64/71/72/73/74 - 1 354 01/02/03/04/11/12/13/14 - 1 355 41/42/43/44/51/52/53/54/61/62/63/64/71/72/73/74 - 1 370 45/46/47/48/49/55/56/57/58/59/65/66/67/68/69/75/76/77/78/79 - 1 371 45/46/47/48/49/55/56/57/58/59/65/66/67/68/69/75/76/77/78/79 - 1 372 25/26/27/28/29/35/36/37/38/39/45/46/47/48/49/55/56/57/58/59 - 1 373 06/08/09/16/18/19/65/66/67/68/69/75/76/77/78/79 - 1 374 05/06/07/08/09/15/16/17/18/19
 1 375 45/46/47/48/49/55/56/57/58/59/65/66/67/68/69/75/76/77/78/79

2. RANGES (continued)

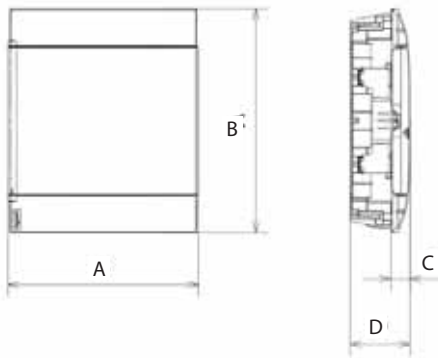
Cat. No.	No. of rows	No. of modules per row	Box type	Door colour	Terminal block	Terminal block short-circuit current
1 370 49	4	18	Masonry	white	Earth	10 kA
1 371 49					Earth + Neutral	
1 372 29					Earth + X Neutral	
1 373 09					X Neutral	
1 373 69					Earth + X Neutral	
1 375 49					Earth + Neutral	
1 370 59				transparent	Earth	
1 371 59					Earth + Neutral	
1 372 39					Earth + X Neutral	
1 373 19					X Neutral	
1 373 79			Earth + X Neutral			
1 375 59			Earth + Neutral			
1 370 69			Dry partition	white	Earth	
1 371 69					Earth + Neutral	
1 372 49					Earth + X Neutral	
1 374 09					Earth + X Neutral	
1 375 69					Earth + Neutral	
1 370 79				transparent	Earth	
1 371 79					Earth + Neutral	
1 372 59					Earth + X Neutral	
1 374 19	Earth + X Neutral					
1 375 79	Earth + Neutral					
1 370 45	1	22	Masonry	white	Earth	10 kA
1 371 45					Earth + Neutral	
1 372 25					Earth + X Neutral	
1 373 65					Earth + X Neutral	
1 375 45					Earth + Neutral	
1 370 55				transparent	Earth	
1 371 55					Earth + Neutral	
1 372 35					Earth + X Neutral	
1 373 75					Earth + X Neutral	
1 375 55					Earth + Neutral	
1 370 65			Dry partition	white	Earth	
1 371 65					Earth + Neutral	
1 372 45					Earth + X Neutral	
1 374 05					Earth + X Neutral	
1 375 65					Earth + Neutral	
1 370 75				transparent	Earth	
1 371 75					Earth + Neutral	
1 372 55					Earth + X Neutral	
1 374 15					Earth + X Neutral	
1 375 75					Earth + Neutral	

Practibox S flush-mounting cabinets with unprotected terminal blocks on a support

Cat. No(s): 1 340 44/46/48/54/56/58/64/66/68/74/76/78
 1 341 44/46/48/54/56/58/64/66/68/74/76/78 - 1 345 44/46/48/54/56/58/64/66/68/74/76/78 - 1 350 41/42/43/44/51/52/53/54/61/62/63/64/71/72/73/74
 1 351 41/42/43/44/51/52/53/54/61/62/63/64/71/72/73/74 - 1 352 21/22/23/24/31/32/33/34/41/42/43/44/51/52/53/54 - 1 353 01/02/03/04/11/12/13/14/61/62/63/64/71/72/73/74 - 1 354 01/02/03/04/11/12/13/14 - 1 355 41/42/43/44/51/52/53/54/61/62/63/64/71/72/73/74 - 1 370 45/46/47/48/49/55/56/57/58/59/65/66/67/68/69/75/76/77/78/79 - 1 371 45/46/47/48/49/55/56/57/58/59/65/66/67/68/69/75/76/77/78/79 - 1 372 25/26/27/28/29/35/36/37/38/39/45/46/47/48/49/55/56/57/58/59 - 1 373 06/08/09/16/18/19/65/66/67/68/69/75/76/77/78/79 - 1 374 05/06/07/08/09/15/16/17/18/19
 1 375 45/46/47/48/49/55/56/57/58/59/65/66/67/68/69/75/76/77/78/79

3. DIMENSIONS

3.1 Dimensions



Cat. Nos.	No. of rows	No. of modules per row	A (mm)	B (mm)	C (mm)	D (mm)
1 340 44/54/64/74 - 1 341 44/54/64/74 - 1 345 44/54/64/74	1	4	184	215	30	102
1 340 46/56/66/76 - 1 341 46/56/66/76 - 1 345 46/56/66/76	1	6	220	215	30	102
1 340 48/58/68/78 - 1 341 48/58/68/78 - 1 343 08/18 1 345 45/58/68/78	1	8	256	225	30	102
1 350 41/51/61/71 - 1 351 41/51/61/71 - 1 352 21/31/41/51 1 353 01/11/61/71 - 1 354 01/11 - 1 355 41/51/61/71	1	12	328	235	32	104
1 350 42/52/62/72 - 1 351 42/52/62/72 - 1 352 22/32/42/52 1 353 02/12/1962/72 - 1 354 02/12 - 1 355 42/52/62/72	2	12	328	385	33	105
1 350 43/53/63/73 - 1 351 43/53/63/73 - 1 352 23/33/43/53 1 353 03/13/63/73 - 1 354 03/13 - 1 355 43/53/63/73	3	12	328	535	33	105
1 350 44/54/64/74 - 1 351 44/54/64/74 - 1 352 24/34/44/54 1 353 04/14/64/74 - 1 354 04/14 - 1 355 44/54/64/74	4	12	328	765	33	105
1 370 46/56/66/76 - 1 371 46/56/66/76 - 1 372 26/36/46/56 1 373 06/16/66/76 - 1 374 06/16 - 1 375 46/56/66/76	1	18	436	235	32	104
1 370 47/57/67/77 - 1 371 47/57/67/77 - 1 372 27/37/47/57 1 373 67/77 - 1 374 07/17 - 1 375 47/57/67/77	2	18	436	385	33	105
1 370 48/58/68/78 - 1 371 48/58/68/78 - 1 372 28/38/48/58 1 373 08/18/68/78 - 1 374 08/18 - 1 375 48/58/68/78	3	18	436	615	33	105
1 370 49/59/69/79 - 1 371 49/59/69/79 - 1 372 29/39/49/59 1 373 09/19/69/79 - 1 374 09/19 - 1 375 49/59/69/79	4	18	436	765	33	105
1 370 45/55/65/75 - 1 371 45/55/65/75 - 1 372 25/35/45/55 1 373 65/75 - 1 374 05/15 - 1 375 45/55/65/75	1	22	508	235	32	104

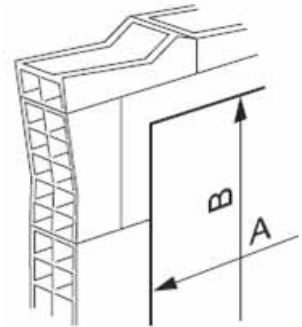
Practibox S flush-mounting cabinets with unprotected terminal blocks on a support

Cat. No(s): 1 340 44/46/48/54/56/58/64/66/68/74/76/78
 1 341 44/46/48/54/56/58/64/66/68/74/76/78 - 1 345 44/46/48/54/56/58/64/66/68/74/76/78 - 1 350 41/42/43/44/51/52/53/54/61/62/63/64/71/72/73/74
 1 351 41/42/43/44/51/52/53/54/61/62/63/64/71/72/73/74 - 1 352 21/22/23/24/31/32/33/34/41/42/43/44/51/52/53/54 - 1 353 01/02/03/04/11/12/13/14/61/62/63/64/71/72/73/74 - 1 354 01/02/03/04/11/12/13/14 - 1 355 41/42/43/44/51/52/53/54/61/62/63/64/71/72/73/74 - 1 370 45/46/47/48/49/55/56/57/58/59/65/66/67/68/69/75/76/77/78/79 - 1 371 45/46/47/48/49/55/56/57/58/59/65/66/67/68/69/75/76/77/78/79 - 1 372 25/26/27/28/29/35/36/37/38/39/45/46/47/48/49/55/56/57/58/59 - 1 373 06/08/09/16/18/19/65/66/67/68/69/75/76/77/78/79 - 1 374 05/06/07/08/09/15/16/17/18/19
 1 375 45/46/47/48/49/55/56/57/58/59/65/66/67/68/69/75/76/77/78/79

3. DIMENSIONS (continued)

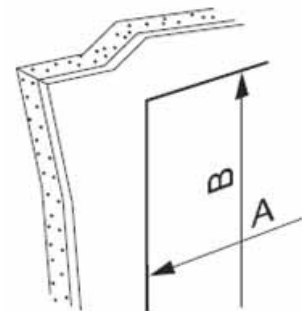
3.2 Cut-out dimensions in masonry wall

Cat. Nos.	Number of rows	Modules per row	A (mm)	B (mm)
1 340 44/54 - 1 341 44/54 - 1 345 44/54	1	4	166	215
1 340 46/56 - 1 341 46/56 - 1 345 46/56	1	6	202	215
1 340 48/58 - 1 341 48/58 - 1 343 08/18 - 1 345 48/58	1	8	238	225
1 350 41/51 - 1 351 41/51 - 1 352 21/31 - 1 353 01/11/61/71 1 355 41/51	1	12	310	235
1 350 42/52 - 1 351 42/52 - 1 352 22/32 - 1 353 02/12/62/72 1 355 42/52	2	12	310	385
1 350 43/53 - 1 351 43/53 - 1 352 23/33 - 1 353 03/13/63/73 1 355 43/53	3	12	310	535
1 350 44/54 - 1 351 44/54 - 1 352 24/34 - 1 353 04/14/64/74 1 355 44/54	4	12	310	765
1 370 46/56 - 1 371 46/56 - 1 372 26/36 - 1 373 06/16/66/76 1 375 46/56	1	18	418	235
1 370 47/57 - 1 371 47/57 - 1 372 27/37 - 1 373 07/17/67/77 1 375 47/57	2	18	418	385
1 370 48/58 - 1 371 48/58 - 1 372 28/38 - 1 373 08/18/68/78 1 375 48/58	3	18	418	615
1 370 49/59 - 1 371 49/59 - 1 372 29/39 - 1 373 09/19/69/79 1 375 49/59	4	18	418	765
1 370 45/55 - 1 371 45/55 - 1 372 25/35 - 1 373 65/75 1 375 45/55	1	22	490	235



3.3 Cut-out dimensions for mounting in dry partitions

Cat. Nos.	Number of rows	Modules per row	A (mm)	B (mm)
1 340 64/74 - 1 341 64/74 - 1 345 64/74	1	4	142	205
1 340 66/76 - 1 341 66/76 - 1 345 66/76	1	6	178	205
1 340 68/78 - 1 341 68/78 - 1 345 68/78	1	8	214	215
1 350 61/71 - 1 351 61/71 - 1 352 41/51 - 1 354 01/11 1 355 61/71	1	12	286	225
1 350 62/72 - 1 351 62/72 - 1 352 42/52 - 1 354 02/12 1 355 62/72	2	12	286	375
1 350 63/73 - 1 351 63/73 - 1 352 43/53 - 1 354 03/13 1 355 63/73	3	12	286	525
1 350 64/74 - 1 351 64/74 - 1 352 44/54 - 1 354 04/14 1 355 64/74	4	12	286	755
1 370 66/76 - 1 371 66/76 - 1 372 46/56 - 1 374 06/16 1 375 66/76	1	18	394	225
1 370 67/77 - 1 371 67/77 - 1 372 47/57 - 1 374 07/17 1 375 67/77	2	18	394	375
1 370 68/78 - 1 371 68/78 - 1 372 48/58 - 1 374 08/18 1 375 68/78	3	18	394	605
1 370 69/79 - 1 371 69/79 - 1 372 49/59 - 1 374 09/19 1 375 69/79	4	18	394	755
1 370 65/75 - 1 371 65/75 - 1 372 45/55 - 1 374 05/15 1 375 65/75	1	22	466	225



Practibox S flush-mounting cabinets with unprotected terminal blocks on a support

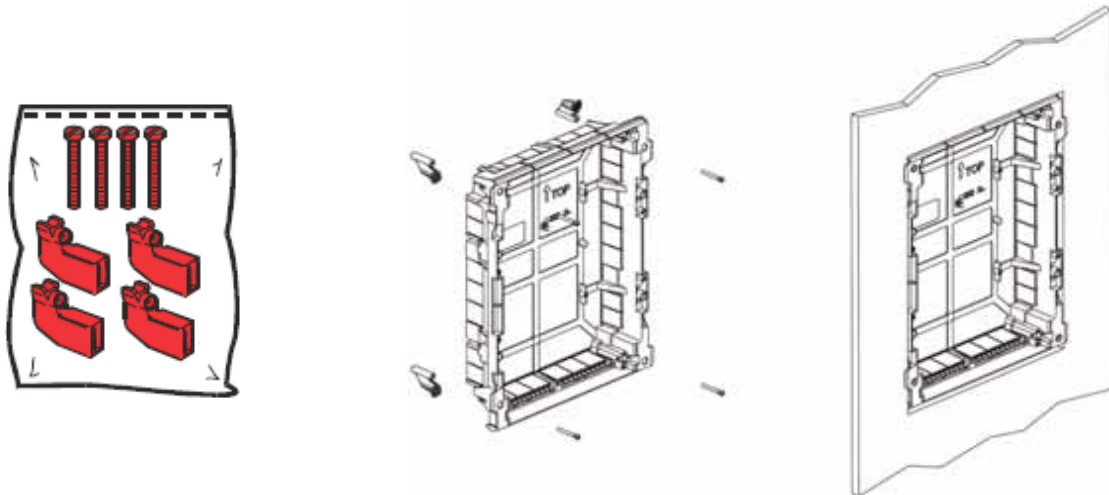
Cat. No(s): 1 340 44/46/48/54/56/58/64/66/68/74/76/78
1 341 44/46/48/54/56/58/64/66/68/74/76/78 - 1 345 44/46/48/54/56/58/64/66/
68/74/76/78 - 1 350 41/42/43/44/51/52/53/54/61/62/63/64/71/72/73/74
1 351 41/42/43/44/51/52/53/54/61/62/63/64/71/72/73/74 - 1 352 21/22/
23/24/31/32/33/34/41/42/43/44/51/52/53/54 - 1 353 01/02/03/04/11/12/
13/14/61/62/63/64/71/72/73/74 - 1 354 01/02/03/04/11/12/13/14 - 1 355 41/
42/43/44/51/52/53/54/61/62/63/64/71/72/73/74 - 1 370 45/46/47/48/49/55/
56/57/58/59/65/66/67/68/69/75/76/77/78/79 - 1 371 45/46/47/48/49/55/56/
57/58/59/65/66/67/68/69/75/76/77/78/79 - 1 372 25/26/27/28/29/35/
36/37/38/39/45/46/47/48/49/55/56/57/58/59 - 1 373 06/08/09/16/18/19/
65/66/67/68/69/75/76/77/78/79 - 1 374 05/06/07/08/09/15/16/17/18/19
1 375 45/46/47/48/49/55/56/57/58/59/65/66/67/68/69/75/76/77/78/79

3. DIMENSIONS (continued)

3.3 Cut-out dimensions for mounting in dry partitions (continued)

The dry partition fixing kit is included with boxes intended for this type of use.

Tightening torque of claw screws: 0.8 Nm



4. GENERAL CHARACTERISTICS

4.1 Technical characteristics

- . Cover colour: white RAL 9003
- . Door colour: white RAL 9003 or transparent (smoked)
- . Protection index: IP40 - IK07 with door conforming to IEC 60 670-24 Edition 2.0 2011-03
- . Self-extinguishing in accordance with IEC 60695-2-11 Edition 2.0 2014-02:
 - boxes for dry partitions 850°C/for masonry 650°C
 - covers, flaps 650°C
- . Operating torque of cover metal screws: 1.2 Nm
- . Class II double insulation
- . Rated operating voltage: 400 VAC - 50/60 Hz
- . Rated insulation voltage: 400 VAC - 50/60 Hz
- . Rated impulse withstand voltage: $U_{imp} = 6$ kV
- . Short-circuit current: $I_{cc\ max}$ 10 kA
- . Storage and installation temperature: -20°C to +70°C
- . Usage temperature: -10°C to +40°C
- . Permissible loads: 40 N per row
- . Enclosures classified GP and PD

Practibox S flush-mounting cabinets with unprotected terminal blocks on a support

Cat. No(s): 1 340 44/46/48/54/56/58/64/66/68/74/76/78
 1 341 44/46/48/54/56/58/64/66/68/74/76/78 - 1 345 44/46/48/54/56/58/64/66/68/74/76/78 - 1 350 41/42/43/44/51/52/53/54/61/62/63/64/71/72/73/74
 1 351 41/42/43/44/51/52/53/54/61/62/63/64/71/72/73/74 - 1 352 21/22/23/24/31/32/33/34/41/42/43/44/51/52/53/54 - 1 353 01/02/03/04/11/12/13/14/61/62/63/64/71/72/73/74 - 1 354 01/02/03/04/11/12/13/14 - 1 355 41/42/43/44/51/52/53/54/61/62/63/64/71/72/73/74 - 1 370 45/46/47/48/49/55/56/57/58/59/65/66/67/68/69/75/76/77/78/79 - 1 371 45/46/47/48/49/55/56/57/58/59/65/66/67/68/69/75/76/77/78/79 - 1 372 25/26/27/28/29/35/36/37/38/39/45/46/47/48/49/55/56/57/58/59 - 1 373 06/08/09/16/18/19/65/66/67/68/69/75/76/77/78/79 - 1 374 05/06/07/08/09/15/16/17/18/19
 1 375 45/46/47/48/49/55/56/57/58/59/65/66/67/68/69/75/76/77/78/79

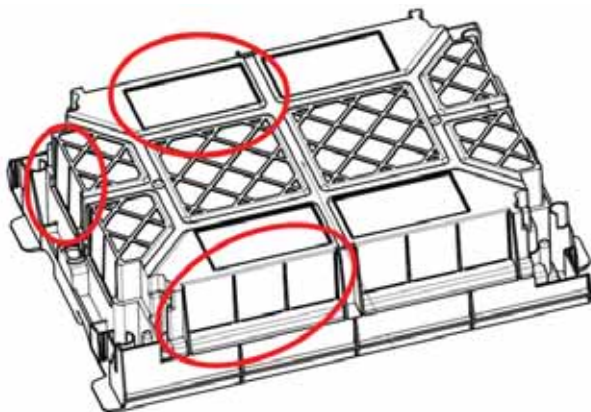
4. GENERAL CHARACTERISTICS (continued)

4.1 Technical characteristics (continued)

Maximum permissible current and dissipated power:

Cat. Nos.	No. of rows	Modules per row	Max. permissible current (A)	Dissipated power (Pde)
1 340 44/54/64/74 - 1 341 44/54/64/74 - 1 345 44/54/64/74	1	4	40 A	10 W
1 340 46/56/66/76 - 1 341 46/56/66/76 - 1 345 46/56/66/76	1	6	40 A	12 W
1 340 48/58/68/78 - 1 341 48/58/68/78 - 1 343 08/18 1 345 45/58/68/78	1	8	63 A	16 W
1 350 41/51/61/71 - 1 351 41/51/61/71 - 1 352 21/31/41/51 1 353 01/11/61/71 - 1 354 01/11 - 1 355 41/51/61/71	1	12	63 A	23 W
1 350 42/52/62/72 - 1 351 42/52/62/72 - 1 352 22/32/42/52 1 353 02/12/1962/72 - 1 354 02/12 - 1 355 42/52/62/72	2	12	90 A	34 W
1 350 43/53/63/73 - 1 351 43/53/63/73 - 1 352 23/33/43/53 1 353 03/13/63/73 - 1 354 03/13 - 1 355 43/53/63/73	3	12	90 A	40 W
1 350 44/54/64/74 - 1 351 44/54/64/74 - 1 352 24/34/44/54 1 353 04/14/64/74 - 1 354 04/14 - 1 355 44/54/64/74	4	12	90 A	57 W
1 370 46/56/66/76 - 1 371 46/56/66/76 - 1 372 26/36/46/56 1 373 06/16/66/76 - 1 374 06/16 - 1 375 46/56/66/76	1	18	63 A	31 W
1 370 47/57/67/77 - 1 371 47/57/67/77 - 1 372 27/37/47/57 1 373 07/17 - 1 374 07/17 - 1 375 47/57/67/77	2	18	90 A	57 W
1 370 48/58/68/78 - 1 371 48/58/68/78 - 1 372 28/38/48/58 1 373 08/18/68/78 - 1 374 08/18 - 1 375 48/58/68/78	3	18	90 A	57 W
1 370 49/59/69/79 - 1 371 49/59/69/79 - 1 372 29/39/49/59 1 373 09/19/69/79 - 1 374 09/19 - 1 375 49/59/69/79	4	18	90 A	66 W
1 370 45/55/65/75 - 1 371 45/55/65/75 - 1 372 25/35/45/55 1 373 65/75 - 1 374 05/15 - 1 375 45/55/65/75	1	22	90 A	36 W

4.2 Tube entries



4.2.1. 4-module cabinets

Cat. Nos.	Number of rows	Modules per row	Ø25 mm at the top of the box	Ø25 mm at the bottom of the box	Ø20 mm on the right of the box	Ø20 mm on the left of the box	2 Ø16 mm or 1 Ø20 mm at the back of the box
1 340 44/54/64/74 - 1 341 44/54/64/74 - 1 345 44/54/64/74	1	4	2	2	4	4	4

Practibox S flush-mounting cabinets with unprotected terminal blocks on a support

Cat. No(s): 1 340 44/46/48/54/56/58/64/66/68/74/76/78
 1 341 44/46/48/54/56/58/64/66/68/74/76/78 - 1 345 44/46/48/54/56/58/64/66/68/74/76/78 - 1 350 41/42/43/44/51/52/53/54/61/62/63/64/71/72/73/74
 1 351 41/42/43/44/51/52/53/54/61/62/63/64/71/72/73/74 - 1 352 21/22/23/24/31/32/33/34/41/42/43/44/51/52/53/54 - 1 353 01/02/03/04/11/12/13/14 - 1 355 41/42/43/44/51/52/53/54/61/62/63/64/71/72/73/74 - 1 370 45/46/47/48/49/55/56/57/58/59/65/66/67/68/69/75/76/77/78/79 - 1 371 45/46/47/48/49/55/56/57/58/59/65/66/67/68/69/75/76/77/78/79 - 1 372 25/26/27/28/29/35/36/37/38/39/45/46/47/48/49/55/56/57/58/59 - 1 373 06/08/09/16/18/19/65/66/67/68/69/75/76/77/78/79 - 1 374 05/06/07/08/09/15/16/17/18/19
 1 375 45/46/47/48/49/55/56/57/58/59/65/66/67/68/69/75/76/77/78/79

4. GENERAL CHARACTERISTICS (continued)

4.2.2. 6-module cabinets

Cat. Nos.	Number of rows	Modules per row	Ø25 mm at the top of the box	Ø25 mm at the bottom of the box	Ø20 mm on the right of the box	Ø20 mm on the left of the box	38X38 mm square hole at the back of the box
1 340 46/56/66/76 - 1 341 46/56/66/76 - 1 345 46/56/66/76	1	6	3	3	4	4	4

4.2.3. 8-module cabinets

Cat. Nos.	Number of rows	Modules per row	Ø30 mm at the top of the box	Ø30 mm at the bottom of the box	Ø25 mm on the right of the box	Ø25 mm on the left of the box	60x30 mm oblong hole at the back of the box
1 340 48/58/68/78 - 1 341 48/58/68/78 - 1 343 08/18 - 1 345 45/58/68/78	1	8	3	3	4	4	4

4.2.4. Cabinets with 12 modules per row

Cat. Nos.	Number of rows	Modules per row	Ø30 mm at the top of the box	Ø30 mm at the bottom of the box	Ø30 mm on the right of the box	Ø25 mm on the right of the box	Ø30 mm on the left of the box	Ø25 mm on the left of the box	70x35 mm at the back of the box
1 350 41/51/61/71 - 1 351 41/51/61/71 1 352 21/31/41/51 - 1 353 01/11/61/71 1 354 01/11 - 1 355 41/51/61/71	1	12	6	6	-	4	-	4	4
1 350 42/52/62/72 - 1 351 42/52/62/72 1 352 22/32/42/52 - 1 353 02/12/1962/72 1 354 02/12 - 1 355 42/52/62/72	2	12	6	6	3	4	3	4	6
1 350 43/53/63/73 - 1 351 43/53/63/73 1 352 23/33/43/53 - 1 353 03/13/63/73 1 354 03/13 - 1 355 43/53/63/73	3	12	6	6	6	4	6	4	8
1 350 44/54/64/74 - 1 351 44/54/64/74 1 352 24/34/44/54 - 1 353 04/14/64/74 1 354 04/14 - 1 355 44/54/64/74	4	12	6	6	9	4	9	4	10

4.2.5. Cabinets with 18 modules per row

Cat. Nos.	Number of rows	Modules per row	Ø20 mm at the top of the box	Ø30 mm at the top of the box	Ø20 mm at the bottom of the box	Ø30 mm at the bottom of the box	Ø30 mm on the right of the box	Ø30 mm on the left of the box	Ø30 mm at the back of the box	125x 45 mm at the back of the box	125x 35 mm at the back of the box	100x 70 mm at the back of the box	100x 35 mm at the back of the box
1 370 46/56/66/76 - 1 371 46/56/66/76 - 1 372 26/36/46/56 1 373 06/16/66/76 - 1 374 06/16 1 375 46/56/66/76	1	18	-	6	-	6	4	4	-	-	-	-	4
1 370 47/57/67/77 - 1 371 47/57/67/77 - 1 372 27/37/47/57 1 373 07/17/67/77 - 1 374 07/17 1 375 47/57/67/77	2	18	2	8	2	8	5	5	4	-	2	-	4
1 370 48/58/68/78 - 1 371 48/58/68/78 - 1 372 28/38/48/58 1 373 08/18/68/78 - 1 374 08/18 1 375 48/58/68/78	3	18	2	8	2	8	8	8	4	4	-	4	-
1 370 49/59/69/79 - 1 371 49/59/69/79 - 1 372 29/39/49/59 1 373 09/19/69/79 - 1 374 09/19 1 375 49/59/69/79	4	18	2	8	2	8	11	11	4	6	-	4	-

Practibox S flush-mounting cabinets with unprotected terminal blocks on a support

Cat. No(s): 1 340 44/46/48/54/56/58/64/66/68/74/76/78
 1 341 44/46/48/54/56/58/64/66/68/74/76/78 - 1 345 44/46/48/54/56/58/64/66/68/74/76/78 - 1 350 41/42/43/44/51/52/53/54/61/62/63/64/71/72/73/74
 1 351 41/42/43/44/51/52/53/54/61/62/63/64/71/72/73/74 - 1 352 21/22/23/24/31/32/33/34/41/42/43/44/51/52/53/54 - 1 353 01/02/03/04/11/12/13/14/61/62/63/64/71/72/73/74 - 1 354 01/02/03/04/11/12/13/14 - 1 355 41/42/43/44/51/52/53/54/61/62/63/64/71/72/73/74 - 1 370 45/46/47/48/49/55/56/57/58/59/65/66/67/68/69/75/76/77/78/79 - 1 371 45/46/47/48/49/55/56/57/58/59/65/66/67/68/69/75/76/77/78/79 - 1 372 25/26/27/28/29/35/36/37/38/39/45/46/47/48/49/55/56/57/58/59 - 1 373 06/08/09/16/18/19/65/66/67/68/69/75/76/77/78/79 - 1 374 05/06/07/08/09/15/16/17/18/19
 1 375 45/46/47/48/49/55/56/57/58/59/65/66/67/68/69/75/76/77/78/79

4. GENERAL CHARACTERISTICS (continued)

4.2.6. 22-module cabinets

Cat. Nos.	Number of rows	Modules per row	Ø30 mm at the top of the box	Ø30 mm at the bottom of the box	Ø25 mm on the right of the box	Ø25 mm on the left of the box	40x35 mm at the back of the box	100x35 mm at the back of the box
1 370 45/55/65/75 - 1 371 45/55/65/75 - 1 372 25/35/45/55 1 373 65/75 - 1 374 05/15 - 1 375 45/55/65/75	1	22	8	8	4	4	4	4

4.3 Materials

- . Cover, base, white door, blanking plate: high-impact polystyrene (PS)
- . Transparent door: Methacrylate Acrylonitrile Butadiene Styrene (MABS)
- . Rail support: Polycarbonate (PC)
- . Screws: steel
- . Rails: galvanised steel
- . Terminal block support: polycarbonate (PC)
- . Injection-moulded caps: Styrene Butadiene Styrene (SBS)
- . Claw for dry partitions: polystyrene (PS)
- . Terminal block: brass

4.4 Accessories supplied with the cabinet

Cat. Nos.	No. of rows	Modules per row	5-module blanking plate	Module identification labels	Dry partition claws
1 340 44/54 - 1 341 44/54 - 1 345 44/54	1	4	-	-	-
1 340 64/74 - 1 341 64/74 - 1 345 64/74			-	-	1
1 340 46/56 - 1 341 46/56 - 1 345 46/56	1	6	-	-	-
1 340 66/76 - 1 341 66/76 - 1 345 66/76			-	-	1
1 340 48/58 - 1 341 48/58 - 1 343 08 - 1 345 48/58	1	8	-	-	-
1 340 68/78 - 1 341 68/78 - 1 343 18 - 1 345 68/78			-	-	1
1 350 41/51 - 1 351 41/51 - 1 352 21/31 - 1 355 41/51	1	12	-	1	-
1 353 01/11/61/71			-	-	-
1 350 61/71 - 1 351 61/71 - 1 352 41/51 - 1 355 61/71			-	1	1
1 354 01/11			-	-	1
1 353 02/12	2	12	-	-	-
1 353 62/72			1	-	-
1 350 42/52 - 1 351 42/52 - 1 352 22/32 - 1 355 42/52			1	2	-
1 354 02/12			1	-	1
1 350 62/72 - 1 351 62/72 - 1 352 42/52 - 1 355 62/72	3	12	1	2	1
1 353 03/13			-	-	-
1 353 63/73			1	-	-
1 350 43/53 - 1 351 43/53 - 1 352 23/33 - 1 355 43/53			1	3	-
1 354 03/13	4	12	1	-	1
1 350 63/73 - 1 351 63/73 - 1 352 43/53 - 1 355 63/73			1	3	1
1 353 04/14			-	-	-
1 353 64/74			1	-	-
1 350 44/54 - 1 351 44/54 - 1 352 24/34 - 1 355 44/54	4	12	1	4	-
1 354 04/14			1	-	1
1 350 64/74 - 1 351 64/74 - 1 352 44/54 - 1 355 64/74	4	12	1	4	1

Practibox S flush-mounting cabinets with unprotected terminal blocks on a support

Cat. No(s): 1 340 44/46/48/54/56/58/64/66/68/74/76/78
 1 341 44/46/48/54/56/58/64/66/68/74/76/78 - 1 345 44/46/48/54/56/58/64/66/68/74/76/78 - 1 350 41/42/43/44/51/52/53/54/61/62/63/64/71/72/73/74
 1 351 41/42/43/44/51/52/53/54/61/62/63/64/71/72/73/74 - 1 352 21/22/23/24/31/32/33/34/41/42/43/44/51/52/53/54 - 1 353 01/02/03/04/11/12/13/14/61/62/63/64/71/72/73/74 - 1 354 01/02/03/04/11/12/13/14 - 1 355 41/42/43/44/51/52/53/54/61/62/63/64/71/72/73/74 - 1 370 45/46/47/48/49/55/56/57/58/59/65/66/67/68/69/75/76/77/78/79 - 1 371 45/46/47/48/49/55/56/57/58/59/65/66/67/68/69/75/76/77/78/79 - 1 372 25/26/27/28/29/35/36/37/38/39/45/46/47/48/49/55/56/57/58/59 - 1 373 06/08/09/16/18/19/65/66/67/68/69/75/76/77/78/79 - 1 374 05/06/07/08/09/15/16/17/18/19
 1 375 45/46/47/48/49/55/56/57/58/59/65/66/67/68/69/75/76/77/78/79

4. GENERAL CHARACTERISTICS (continued)

4.4 Accessories supplied with the cabinet (continued)

Cat. Nos.	No. of rows	Modules per row	5-module blanking plate	Module identification labels	Dry partition claws
1 373 06/16	1	18	-	-	-
1 373 66/76			1	-	-
1 370 46/56/1 371 46/56 - 1 372 26/36 - 1 375 46/56			1	1	-
1 374 06/16			1	-	1
1 370 66/76 - 1 371 66/76 - 1 372 46/56 - 1 375 66/76			1	1	1
1 373 67/77	2	18	1	-	-
1 373 07/17			-	-	-
1 370 47/57 - 1 371 47/57 - 1 372 27/37 - 1 375 47/57			1	2	-
1 374 07/17			1	-	1
1 370 67/77 - 1 371 67/77 - 1 372 47/57 - 1 375 67/77			1	2	1
1 373 08/18	3	18	-	-	-
1 373 68/78			2	-	-
1 370 48/58 - 1 372 48/58 - 1 372 28/38 - 1 375 48/58			2	3	-
1 374 08/18			2	-	1
1 370 68/78 - 1 371 68/78 - 1 372 48/58 - 1 375 68/78			2	3	1
1 373 09/19	4	18	-	-	-
1 373 69/79			2	-	-
1 370 49/59 - 1 372 49/59 - 1 372 29/39 - 1 375 49/59			2	4	-
1 374 09/19			2	-	1
1 370 69/79 - 1 371 69/79 - 1 372 49/59 - 1 375 69/79			2	4	1
1 373 65/75	1	22	1	-	-
1 370 45/55 - 1 371 45/55 - 1 372 25/35 - 1 375 45/55			1	1	-
1 374 05/15			1	-	1
1 370 65/75 - 1 371 65/75 - 1 372 45/55 - 1 375 65/75			1	1	1

4.5 Terminal block capacity

4 and 6-module cabinets

Cat. Nos.	No. of rows	Modules per row	Earth terminal block, screw terminals			Neutral terminal block, screw terminals		
			6-25 mm ²	1.5-16 mm ²	1.5-10 mm ²	6-25 mm ²	1.5-16 mm ²	1.5-10 mm ²
1 340 44/54 - 1 341 44/54 - 1 345 44/54	1	4	-	2	2	-	-	-
1 340 64/74 - 1 341 64/74 - 1 345 64/74			-	2	2	-	2	2
1 340 46/56 - 1 341 46/56 - 1 345 46/56	1	6	-	2	2	-	-	-
1 340 66/76 - 1 341 66/76 - 1 345 66/76			-	2	2	-	2	2

Practibox S flush-mounting cabinets with unprotected terminal blocks on a support

Cat. No(s): 1 340 44/46/48/54/56/58/64/66/68/74/76/78
 1 341 44/46/48/54/56/58/64/66/68/74/76/78 - 1 345 44/46/48/54/56/58/64/66/68/74/76/78 - 1 350 41/42/43/44/51/52/53/54/61/62/63/64/71/72/73/74
 1 351 41/42/43/44/51/52/53/54/61/62/63/64/71/72/73/74 - 1 352 21/22/23/24/31/32/33/34/41/42/43/44/51/52/53/54 - 1 353 01/02/03/04/11/12/13/14/61/62/63/64/71/72/73/74 - 1 354 01/02/03/04/11/12/13/14 - 1 355 41/42/43/44/51/52/53/54/61/62/63/64/71/72/73/74 - 1 370 45/46/47/48/49/55/56/57/58/59/65/66/67/68/69/75/76/77/78/79 - 1 371 45/46/47/48/49/55/56/57/58/59/65/66/67/68/69/75/76/77/78/79 - 1 372 25/26/27/28/29/35/36/37/38/39/45/46/47/48/49/55/56/57/58/59 - 1 373 06/08/09/16/18/19/65/66/67/68/69/75/76/77/78/79 - 1 374 05/06/07/08/09/15/16/17/18/19
 1 375 45/46/47/48/49/55/56/57/58/59/65/66/67/68/69/75/76/77/78/79

4. GENERAL CHARACTERISTICS (continued)

4.5 Terminal block capacity (continued)

8, 12 and 18-module cabinets

Cat. Nos.	No. of rows	Modules per row	Earth terminal block, screw terminals			Neutral terminal block, screw terminals		
			6-25 mm ²	1.5-16 mm ²	1.5-10 mm ²	6-25 mm ²	1.5-16 mm ²	1.5-10 mm ²
1 340 48/58/68/78	1	8	-	3	3	-	-	-
1 343 08/18			-	-	-	-	3	3
1 341 48/58/68/78 - 1 345 48/58/68/78			-	3	3	-	3	3
1 350 41/51/61/71	1	12	-	5	5	-	-	-
1 353 01/11			-	-	-	-	5	5
1 351 41/51/61/71 - 1 352 21/31/41/51 1 353 61/71 - 1 354 01/11 1 355 41/51/61/71			-	5	5	-	5	5
1 370 46/56/66/76			1	12	-	-	-	-
1 373 06/16	1	18	-	-	-	1	12	-
1 371 46/56/66/76 - 1 372 26/36/46/56 1 373 66/76 - 1 374 06/16 1 375 46/56/66/76			1	12	-	1	12	-

Cabinets with 12 multi-row modules

Cat. Nos.	No. of rows	Modules per row	Earth terminal block, screw terminals			Neutral terminal block, screw terminals		
			6-25 mm ²	1.5-16 mm ²	1.5-10 mm ²	6-25 mm ²	1.5-16 mm ²	1.5-10 mm ²
1 350 42/52/62/72	2	12	-	8	8	-	-	-
1 353 02/12			-	-	-	-	2x5	2x5
1 351 42/52/62/72 - 1 355 42/52/62/72			-	8	8	-	8	8
1 352 22/32/42/52			-	9	9	-	9	9
1 353 62/72 - 1 354 02/12			-	9	9	-	2x5	2x5
1 350 43/53/63/73	3	12	-	12	12	-	-	-
1 353 03/13			-	-	-	-	3x5	3x5
1 351 43/53/63/73 - 1 355 43/53/63/73			-	12	12	-	12	12
1 352 23/33/43/53			-	14	14	-	14	14
1 353 63/73 - 1 354 03/13	4	12	-	14	14	-	2x5	2x5
1 350 44/54/64/74			-	16	16	-	-	-
1 353 04/14			-	-	-	-	4x5	4x5
1 351 44/54/64/74 - 1 352 24/34/44/54 1 355 44/54/64/74			-	16	16	-	16	16
1 353 64/74 - 1 354 04/14	4	12	-	16	16	-	2x5	2x5

Practibox S flush-mounting cabinets with unprotected terminal blocks on a support

Cat. No(s): 1 340 44/46/48/54/56/58/64/66/68/74/76/78
 1 341 44/46/48/54/56/58/64/66/68/74/76/78 - 1 345 44/46/48/54/56/58/64/66/68/74/76/78 - 1 350 41/42/43/44/51/52/53/54/61/62/63/64/71/72/73/74
 1 351 41/42/43/44/51/52/53/54/61/62/63/64/71/72/73/74 - 1 352 21/22/23/24/31/32/33/34/41/42/43/44/51/52/53/54 - 1 353 01/02/03/04/11/12/13/14 - 1 355 41/42/43/44/51/52/53/54/61/62/63/64/71/72/73/74 - 1 354 01/02/03/04/11/12/13/14 - 1 355 41/42/43/44/51/52/53/54/61/62/63/64/71/72/73/74 - 1 370 45/46/47/48/49/55/56/57/58/59/65/66/67/68/69/75/76/77/78/79 - 1 371 45/46/47/48/49/55/56/57/58/59/65/66/67/68/69/75/76/77/78/79 - 1 372 25/26/27/28/29/35/36/37/38/39/45/46/47/48/49/55/56/57/58/59 - 1 373 06/08/09/16/18/19/65/66/67/68/69/75/76/77/78/79 - 1 374 05/06/07/08/09/15/16/17/18/19
 1 375 45/46/47/48/49/55/56/57/58/59/65/66/67/68/69/75/76/77/78/79

4. GENERAL CHARACTERISTICS (continued)

4.5 Terminal block capacity (continued)

Cabinets with 18 multi-row modules

Cat. Nos.	No. of rows	Modules per row	Earth terminal block, screw terminals			Neutral terminal block, screw terminals		
			6-25 mm ²	1.5-16 mm ²	1.5-10 mm ²	6-25 mm ²	1.5-16 mm ²	1.5-10 mm ²
1 373 07/17	2	18	-	-	-	2x1	2x12	-
1 370 47/57/67/77			1	21	-	-	-	-
1 371 47/57/67/77 1 375 47/57/67/77			1	21	-	1	21	-
1 373 67/77 - 1 374 07/17			1	26	-	2x1	2x12	-
1 372 27/37/47/57			1	26	-	1	26	-
1 370 48/58/68/78	3	18	2	33	-	-	-	-
1 371 48/58/68/78 - 1 372 28/38/48/58 1 375 48/58/68/78			2	33	-	2	33	-
1 373 68/78 - 1 374 08/18			2	33	-	2x1	2x12	-
1 373 08/18			-	-	-	3x1	3x12	-
1 370 49/59/69/79	4	18	2	33	-	-	-	-
1 373 09/19			-	-	-	4x1	4x12	-
1 371 49/59/69/79 - 1 372 29/39/49/59 1 375 49/59/69/79			2	33	-	2	33	-
1 373 69/79 - 1 374 09/19			2	33	-	2x1	2x12	-

22-module cabinets

Cat. Nos.	No. of rows	Modules per row	Earth terminal block, screw terminals			Neutral terminal block, screw terminals		
			6-25 mm ²	1.5-16 mm ²	1.5-10 mm ²	6-25 mm ²	1.5-16 mm ²	1.5-10 mm ²
1 370 45/55/65/75	1	22	1	16	-	-	-	-
1 371 45/55/65/75 - 1 375 45/55/65/75 1 373 65/75 - 1 374 05/15 1 372 25/35/45/55			1	16	-	1	16	-

Additional terminal blocks (see section 6.4, page 17)

5. COMPLIANCE AND APPROVALS

IEC 60 670-24 Edition 2.0 2011-03

Used to create assemblies conforming to IEC 61 439-3 Edition 1.0 2012-02

IEC 60 695-2-11: 2014-09

RoHS

WEEE

REACH

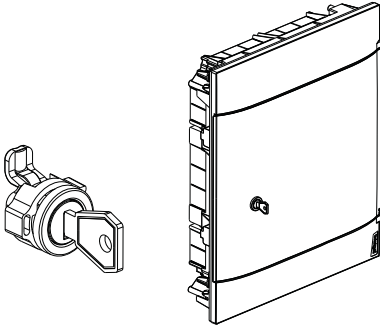
PEP sheet

Practibox S flush-mounting cabinets with unprotected terminal blocks on a support

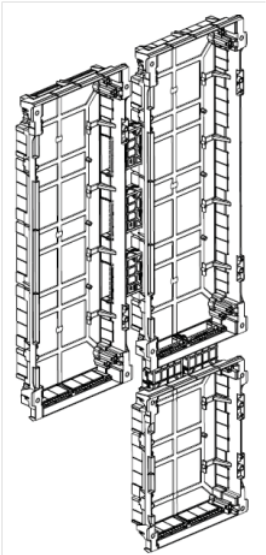
Cat. No(s): 1 340 44/46/48/54/56/58/64/66/68/74/76/78
1 341 44/46/48/54/56/58/64/66/68/74/76/78 - 1 345 44/46/48/54/56/58/64/66/
68/74/76/78 - 1 350 41/42/43/44/51/52/53/54/61/62/63/64/71/72/73/74
1 351 41/42/43/44/51/52/53/54/61/62/63/64/71/72/73/74 - 1 352 21/22/
23/24/31/32/33/34/41/42/43/44/51/52/53/54 - 1 353 01/02/03/04/11/12/
13/14/61/62/63/64/71/72/73/74 - 1 354 01/02/03/04/11/12/13/14 - 1 355 41/
42/43/44/51/52/53/54/61/62/63/64/71/72/73/74 - 1 370 45/46/47/48/49/55/
56/57/58/59/65/66/67/68/69/75/76/77/78/79 - 1 371 45/46/47/48/49/55/56/
57/58/59/65/66/67/68/69/75/76/77/78/79 - 1 372 25/26/27/28/29/35/
36/37/38/39/45/46/47/48/49/55/56/57/58/59 - 1 373 06/08/09/16/18/19/
65/66/67/68/69/75/76/77/78/79 - 1 374 05/06/07/08/09/15/16/17/18/19
1 375 45/46/47/48/49/55/56/57/58/59/65/66/67/68/69/75/76/77/78/79

6. INSTALLATION ADD-ONS

■ 6.1 Key lock No. 850 Cat. No. 1 341 00



■ 6.2 Horizontal and vertical joining kit Cat. No. 1 341 02



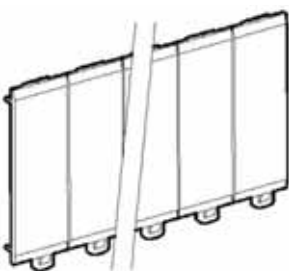
■ 6.3 White RAL 9003 blanking plates

Can be separated for each module or half-module

5 modules: Cat. No. 0 016 60

13 modules: Cat. No. 0 016 62

18 modules: Cat. No. 0 016 64



Practibox S flush-mounting cabinets with unprotected terminal blocks on a support

Cat. No(s): 1 340 44/46/48/54/56/58/64/66/68/74/76/78
 1 341 44/46/48/54/56/58/64/66/68/74/76/78 - 1 345 44/46/48/54/56/58/64/66/68/74/76/78 - 1 350 41/42/43/44/51/52/53/54/61/62/63/64/71/72/73/74
 1 351 41/42/43/44/51/52/53/54/61/62/63/64/71/72/73/74 - 1 352 21/22/23/24/31/32/33/34/41/42/43/44/51/52/53/54 - 1 353 01/02/03/04/11/12/13/14/61/62/63/64/71/72/73/74 - 1 354 01/02/03/04/11/12/13/14 - 1 355 41/42/43/44/51/52/53/54/61/62/63/64/71/72/73/74 - 1 370 45/46/47/48/49/55/56/57/58/59/65/66/67/68/69/75/76/77/78/79 - 1 371 45/46/47/48/49/55/56/57/58/59/65/66/67/68/69/75/76/77/78/79 - 1 372 25/26/27/28/29/35/36/37/38/39/45/46/47/48/49/55/56/57/58/59 - 1 373 06/08/09/16/18/19/65/66/67/68/69/75/76/77/78/79 - 1 374 05/06/07/08/09/15/16/17/18/19
 1 375 45/46/47/48/49/55/56/57/58/59/65/66/67/68/69/75/76/77/78/79

6. INSTALLATION ADD-ONS (continued)

6.4 Additional terminal blocks

Additional terminal blocks can be mounted at the top and bottom of cabinets in the designated areas.

Cat. Nos.	Size	Terminal block capacity	Supplied equipped with terminal block on support		Accessories					
					Terminal blocks on a support which can be added		Unprotected terminal blocks which can be added on existing support			
					No.	Type	No. of holes	Cat. Nos.	Max. no. to be added	Cat. Nos.
1 340 44/54/64/74	1x4M	2	-	-	-	1 348 00/10	1	-	-	
1 341 44/54/64/74 1 345 44/54/64/74		2	1	Earth	4	-	-	-	-	
			1	Neutral Earth	4 4	- -	- -	- -	- -	
1 340 46/56/66/76	1x6M	2	-	-	-	1 348 01/11	1	-	-	
1 341 46/56/66/76 1 345 46/56/66/76		2	1	Earth	4	-	-	1 348 06	1	
			1	Neutral Earth	4 4	- 1 348 01/11	- 1	- -	- -	
1 340 48/58/68/78	1x8M	2	-	-	-	-	-	-	-	
1 343 08/18		2	1	Earth	6	1 348 03/13	1	-	-	
			-	-	-	-	-	1 348 06/07	3/1	
1 341 48/58/68/78 1 345 45/58/68/78		2	1	Earth + Neutral	10 -	- 1 348 03/13	- 1	1 348 06/07	3/1	
1 350 41/51/61/71	1x12M	2	-	-	10 + 10	-	-	1 348 06	1	
1 353 01/11		2	1	Earth	-	1 348 03/13	1	-	-	
			-	-	-	16	-	-	1 348 06	2
1 352 21/31/41/51		2	1	Earth + Neutral	2x10	-	-	1 348 06	1	
			-	-	-	-	1 348 03/13	1	-	
1 351 41/51/61/71 1 353 61/71 1 354 01/11 1 355 41/51/61/71		2	1	Earth + Neutral	2x16	-	-	1 348 06	1	
			-	-	-	1 348 03/13	1	-	-	
1 350 42/52/62/72	2x12M	2	-	-	-	1 348 02/12	1	-	-	
1 353 02/12		2	1	Earth	16	-	-	-	-	
			-	-	-	2x10	-	-	-	
1 353 62/72 1 354 02/12		2	1	Neutral	2x10	-	-	1 348 06/07	3/1	
			1	Earth	18	-	-	1 348 06/07	3/1	
			1	Neutral	16	-	-	1 348 06/07	2/1	
1 351 42/52/62/72 1 355 42/52/62/72		2	1	Earth	16	-	-	1 348 06/07	2/1	
1 352 22/32/42/52		2	1	Neutral	18	-	-	-	-	
			-	-	18	-	-	-	-	
1 350 43/53/63/73	3x12M	2	-	-	-	1 348 02/12	1	-	-	
1 353 03/13		2	1	Earth	24	-	-	1 348 06/07	2/1	
			-	-	-	3x10	-	-	1 348 06	1
			-	-	-	-	1 348 02	1	-	
1 353 63/73 1 354 03/13		2	1	Neutral	2x10	-	-	1 348 06/07	3/1	
			1	Earth	28	-	-	1 348 06/07	2/1	
1 351 43/53/63/73 1 355 43/53/63/73		2	1	Neutral	24	-	-	1 348 06/07	3/1	
			1	Earth	24	-	-	1 348 06/07	3/1	
1 352 23/33/43/53		2	1	Neutral	28	-	-	-	-	
			1	Earth	28	-	-	-	-	

Practibox S flush-mounting cabinets with unprotected terminal blocks on a support

Cat. No(s): 1 340 44/46/48/54/56/58/64/66/68/74/76/78
 1 341 44/46/48/54/56/58/64/66/68/74/76/78 - 1 345 44/46/48/54/56/58/64/66/68/74/76/78 - 1 350 41/42/43/44/51/52/53/54/61/62/63/64/71/72/73/74
 1 351 41/42/43/44/51/52/53/54/61/62/63/64/71/72/73/74 - 1 352 21/22/23/24/31/32/33/34/41/42/43/44/51/52/53/54 - 1 353 01/02/03/04/11/12/13/14/61/62/63/64/71/72/73/74 - 1 354 01/02/03/04/11/12/13/14 - 1 355 41/42/43/44/51/52/53/54/61/62/63/64/71/72/73/74 - 1 370 45/46/47/48/49/55/56/57/58/59/65/66/67/68/69/75/76/77/78/79 - 1 371 45/46/47/48/49/55/56/57/58/59/65/66/67/68/69/75/76/77/78/79 - 1 372 25/26/27/28/29/35/36/37/38/39/45/46/47/48/49/55/56/57/58/59 - 1 373 06/08/09/16/18/19/65/66/67/68/69/75/76/77/78/79 - 1 374 05/06/07/08/09/15/16/17/18/19
 1 375 45/46/47/48/49/55/56/57/58/59/65/66/67/68/69/75/76/77/78/79

6. INSTALLATION ADD-ONS (continued)

6.4 Additional terminal blocks (continued)

Cat. Nos.	Size	Terminal block capacity	Supplied equipped with terminal block on support			Accessories			
						Terminal blocks on a support which can be added		Unprotected terminal blocks which can be added on existing support	
			No.	Type	No. of holes	Cat. Nos.	Max. no. to be added	Cat. Nos.	Max. no. to be added
1 350 44/54/64/74		4	-	-	-	1 348 02	1	-	-
			-	-	-	1 348 02/12	1	-	-
			-	-	-	1 348 02	1	-	-
			1	Earth	32	-	-	1 348 06	1
1 353 04/14	4	1	Neutral	2x10	-	-	1 348 06/07	3/1	
		1	Neutral	2x10	-	-	1 348 06/07	3/1	
		-	-	-	1 348 02	1	-	-	
1 353 64/74 1 354 04/14	4x12M	4	-	-	-	1 348 02	1	-	-
			1	Neutral	2x10	-	-	1 348 06/07	3/1
			1	Neutral	2x10	-	-	1 348 06/07	3/1
			1	Earth	32	1 348 02	1	-	-
1 351 44/54/64/74 1 355 44/54/64/74	4	4	1	Neutral	32	-	-	1 348 06	1
			-	-	-	1 348 02/12	1	-	-
			-	-	-	1 348 02	1	-	-
			1	Earth	32	-	-	1 348 06	1
1 352 24/34/44/54	4	4	1	Neutral	32	-	-	-	-
			-	-	-	-	-	-	-
			-	-	-	-	-	-	-
			1	Earth	32	-	-	-	-
1 370 46/56/66/76	1x18M	2	-	-	-	1 348 04/14	1	-	-
			1	Earth	13	-	-	-	-
1 373 06/16	1x18M	2	1	Neutral	13	-	-	-	-
			-	-	-	1 348 04/14	1	-	-
1 371 46/56/66/76 1 372 26/36/46/56 1 373 66/76 1 374 06/16 1 375 46/56/66/76	1x18M	2	1	Earth + Neutral	13 + 13	-	-	-	-
			-	-	-	1 348 04/14	1	-	-
			-	-	-	-	-	-	-
			-	-	-	-	-	-	-
1 370 47/57/67/77	2x18M	2	-	-	-	1 348 05	1	-	-
			1	Earth	22	-	-	-	-
1 373 07/17	2x18M	2	1	Neutral	2x13	-	-	-	-
			-	-	-	1 348 05	1	-	-
1 371 47/57/67/77 1 375 47/57/67/77	2x18M	2	1	Earth + Neutral	22 + 22	-	-	-	-
			-	-	-	1 348 05	1	-	-
1 372 27/37/47/57	2x18M	2	1	Neutral	27	-	-	-	-
			1	Earth	27	-	-	-	-
1 373 67/77 1 374 07/17	2x18M	2	1	Neutral	2x13	-	-	-	-
			1	Earth	27	-	-	-	-

Practibox S flush-mounting cabinets with unprotected terminal blocks on a support

Cat. No(s): 1 340 44/46/48/54/56/58/64/66/68/74/76/78
 1 341 44/46/48/54/56/58/64/66/68/74/76/78 - 1 345 44/46/48/54/56/58/64/66/68/74/76/78 - 1 350 41/42/43/44/51/52/53/54/61/62/63/64/71/72/73/74
 1 351 41/42/43/44/51/52/53/54/61/62/63/64/71/72/73/74 - 1 352 21/22/23/24/31/32/33/34/41/42/43/44/51/52/53/54 - 1 353 01/02/03/04/11/12/13/14/61/62/63/64/71/72/73/74 - 1 354 01/02/03/04/11/12/13/14 - 1 355 41/42/43/44/51/52/53/54/61/62/63/64/71/72/73/74 - 1 370 45/46/47/48/49/55/56/57/58/59/65/66/67/68/69/75/76/77/78/79 - 1 371 45/46/47/48/49/55/56/57/58/59/65/66/67/68/69/75/76/77/78/79 - 1 372 25/26/27/28/29/35/36/37/38/39/45/46/47/48/49/55/56/57/58/59 - 1 373 06/08/09/16/18/19/65/66/67/68/69/75/76/77/78/79 - 1 374 05/06/07/08/09/15/16/17/18/19
 1 375 45/46/47/48/49/55/56/57/58/59/65/66/67/68/69/75/76/77/78/79

6. INSTALLATION ADD-ONS (continued)

6.4 Additional terminal blocks (continued)

Cat. Nos.	Size	Terminal block capacity	Supplied equipped with terminal block on support			Accessories			
						Terminal blocks on a support which can be added		Unprotected terminal blocks which can be added on existing support	
			No.	Type	No. of holes	Cat. Nos.	Max. no. to be added	Cat. Nos.	Max. no. to be added
1 370 48/58/68/78	3x18M	4	-	-	-	1 348 05/15	1		
			-	-	-	1 348 05	1		
			-	-	-	1 348 05	1		
			1	Earth	35	-	-		
1 373 08/18	3x18M	4	1	Neutral	2x13	-	-		
			1	Neutral	13	-	-		
			-	-	-	1 348 05/15	1		
			-	-	-	1 348 05	1		
1 371 48/58/68/78 1 372 28/38/48/58 1 375 48/58/68/78	3x18M	4	1	Neutral	35	-	-		
			-	-	-	1 348 05/15	1		
			-	-	-	1 348 05	1		
			1	Earth	35	-	-		
1 373 68/78 1 374 08/18	3x18M	4	1	Neutral	2x13	-	-		
			-	-	-	1 348 05	1		
			1	Earth	35	-	-		
			-	-	-	1 348 05	1		
1 370 49/59/69/79	4x18M	4	-	-	-	1 348 05/15	1		
			-	-	-	1 348 05	1		
			-	-	-	1 348 05	1		
			1	Earth	35	-	-		
1 373 09/19	4x18M	4	1	Neutral	2x13	-	-		
			1	Neutral	2x13	-	-		
			-	-	-	1 348 05/15	1		
			-	-	-	1 348 05	1		
1 371 49/59/69/79 1 372 29/39/49/59 1 375 49/59/69/79	4x18M	4	1	Neutral	35	-	-		
			-	-	-	1 348 05/15	1		
			-	-	-	1 348 05	1		
			1	Earth	35	-	-		
1 373 69/79 1 374 09/19	4x18M	4	1	Neutral	2x13	-	-		
			-	-	-	1 348 05/15	1		
			-	-	-	1 348 05	1		
			1	Earth	35	-	-		
1 370 45/55/65/75	1x22M	2	-	-	-	1 348 16	1		
			1	Earth	17	-	-		
1 371 45/55/65/75 1 372 25/35/45/55 1 373 65/75 1 374 05/15 1 375 45/55/65/75	1x22M	2	1	Neutral +	17 + 17	-	-		
			-	Earth	-	1 348 16	1		
			-	-	-	-	-		
			-	-	-	-	-		