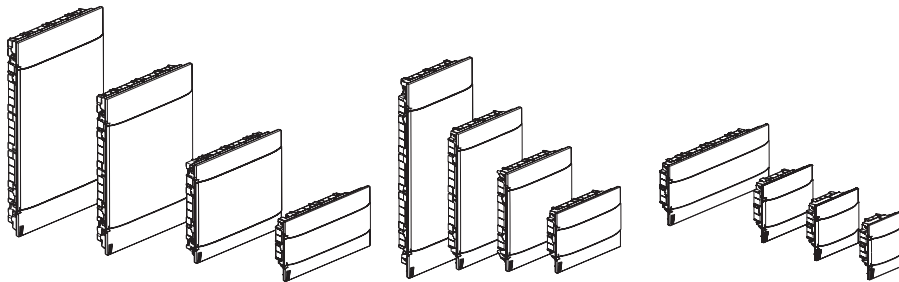


Practibox S flush-mounting cabinets with unprotected terminal blocks on a support

Cat. No(s): 1 340 44/46/48/54/56/58/64/66/68/74/76/78
 1 341 44/46/48/54/56/58/64/66/68/74/76/78 - 1 345 44/46/48/54/56/58/64/66/
 68/74/76/78 - 1 350 41/42/43/44/51/52/53/54/61/62/63/64/71/72/73/74
 1 351 41/42/43/44/51/52/53/54/61/62/63/64/71/72/73/74 - 1 352 21/22/
 23/24/31/32/33/34/41/42/43/44/51/52/53/54 - 1 353 01/02/03/04/11/12/
 13/14/61/62/63/64/71/72/73/74 - 1 354 01/02/03/04/11/12/13/14 - 1 355 41/
 42/43/44/51/52/53/54/61/62/63/64/71/72/73/74 - 1 370 45/46/47/48/49/55/
 56/57/58/59/65/66/67/68/69/75/76/77/78/79 - 1 371 45/46/47/48/49/55/56/
 57/58/59/65/66/67/68/69/75/76/77/78/79 - 1 372 25/26/27/28/29/35/
 36/37/38/39/45/46/47/48/49/55/56/57/58/59 - 1 373 06/08/09/16/18/19/
 65/66/67/68/69/75/76/77/78/79 - 1 374 05/06/07/08/09/15/16/17/18/19
 1 375 45/46/47/48/49/55/56/57/58/59/65/66/67/68/69/75/76/77/78/79



| CONTENTS | Page |
|----------------------------------|------|
| 1. Description, use | 1 |
| 2. Range | 1 |
| 3. Dimensions..... | 7 |
| 4. General characteristics | 9 |
| 5. Compliance and approvals..... | 15 |
| 6. Installation add-ons..... | 16 |

1. DESCRIPTION, USE

Flush-mounting cabinets with 1 to 4 rows, 4 to 22 modules depending on the model, for residential and small commercial installations.
 2 door finishes: white or transparent (smoked)
 Flush-mounted in dry partition, brick or masonry walls, with 72 mm shallow box.
 Boxes for dry partitions: green with resistance to glow wire 850°C, fixing claws supplied
 Boxes for masonry: black with resistance to glow wire 650°C
 Halogen-free enclosures
 Conforming to standard IEC 60 670-24 Edition 2.0 2011-03
 Used to create assemblies conforming to IEC 61 439-3 Edition 1.0 2012-02
 Flush-mounting box 72 mm deep classified 7-8-1 in accordance with IEC 60 670-24
 Space under rails: 10 mm
 Distance between rails: 150 mm

2. RANGES

| Cat. No. | No. of rows | No. of modules per row | Box type | Door colour | Terminal block | Terminal block short-circuit current |
|----------|-------------|------------------------|---------------|-----------------|-----------------|--------------------------------------|
| 1 340 44 | 1 | 4 | Masonry | white | Earth | 6 kA |
| 1 341 44 | | | | | Earth + Neutral | |
| 1 345 44 | | | | | Earth + Neutral | |
| 1 340 54 | | | | transparent | Earth | |
| 1 341 54 | | | | | Earth + Neutral | |
| 1 345 54 | | | | | Earth + Neutral | |
| 1 340 64 | | | Dry partition | white | Earth | |
| 1 341 64 | | | | | Earth + Neutral | |
| 1 345 64 | | | | | Earth + Neutral | |
| 1 340 74 | | | | transparent | Earth | |
| 1 341 74 | | | | | Earth + Neutral | |
| 1 345 74 | | | | | Earth + Neutral | |
| 1 340 46 | 1 | 6 | Masonry | white | Earth | 6 kA |
| 1 341 46 | | | | | Earth + Neutral | |
| 1 345 46 | | | | | Earth + Neutral | |
| 1 340 56 | | | transparent | Earth | | |
| 1 341 56 | | | | Earth + Neutral | | |
| 1 345 56 | | | | Earth + Neutral | | |

Practibox S flush-mounting cabinets with unprotected terminal blocks on a support

Cat. No(s): 1 340 44/46/48/54/56/58/64/66/68/74/76/78
 1 341 44/46/48/54/56/58/64/66/68/74/76/78 - 1 345 44/46/48/54/56/58/64/66/68/74/76/78 - 1 350 41/42/43/44/51/52/53/54/61/62/63/64/71/72/73/74
 1 351 41/42/43/44/51/52/53/54/61/62/63/64/71/72/73/74 - 1 352 21/22/23/24/31/32/33/34/41/42/43/44/51/52/53/54 - 1 353 01/02/03/04/11/12/13/14/61/62/63/64/71/72/73/74 - 1 354 01/02/03/04/11/12/13/14 - 1 355 41/42/43/44/51/52/53/54/61/62/63/64/71/72/73/74 - 1 370 45/46/47/48/49/55/56/57/58/59/65/66/67/68/69/75/76/77/78/79 - 1 371 45/46/47/48/49/55/56/57/58/59/65/66/67/68/69/75/76/77/78/79 - 1 372 25/26/27/28/29/35/36/37/38/39/45/46/47/48/49/55/56/57/58/59 - 1 373 06/08/09/16/18/19/65/66/67/68/69/75/76/77/78/79 - 1 374 05/06/07/08/09/15/16/17/18/19
 1 375 45/46/47/48/49/55/56/57/58/59/65/66/67/68/69/75/76/77/78/79

2. RANGES (continued)

| Cat. No. | No. of rows | No. of modules per row | Box type | Door colour | Terminal block | Terminal block short-circuit current | | | | |
|----------|-------------------|------------------------|-------------------|-----------------|-----------------|--------------------------------------|---------|-------|-----------------|------|
| 1 340 66 | 1 | 6 | Dry partition | white | Earth | 6 kA | | | | |
| 1 341 66 | | | | | Earth + Neutral | | | | | |
| 1 345 66 | | | | | Earth + Neutral | | | | | |
| 1 340 76 | | | | transparent | Earth | | | | | |
| 1 341 76 | | | | | Earth + Neutral | | | | | |
| 1 345 76 | | | | | Earth + Neutral | | | | | |
| 1 340 48 | 1 | 8 | Masonry | white | Earth | 6 kA | | | | |
| 1 341 48 | | | | | Earth + Neutral | | | | | |
| 1 343 08 | | | | | X Neutral | | | | | |
| 1 345 48 | | | | | Earth + Neutral | | | | | |
| 1 340 58 | | | | transparent | Earth | | | | | |
| 1 341 58 | | | | | Earth + Neutral | | | | | |
| 1 343 18 | | | | | X Neutral | | | | | |
| 1 345 58 | | | | | Earth + Neutral | | | | | |
| 1 340 68 | | | Dry partition | White | Earth | | | | | |
| 1 341 68 | | | | | Earth + Neutral | | | | | |
| 1 345 68 | | | | | Earth + Neutral | | | | | |
| 1 340 78 | | | | | Earth | | | | | |
| 1 341 78 | | | | Earth + Neutral | | | | | | |
| 1 345 78 | | | | Earth + Neutral | | | | | | |
| 1 350 41 | | | | 1 | 12 | | Masonry | white | Earth | 6 kA |
| 1 351 41 | | | | | | | | | Earth + Neutral | 6 kA |
| 1 352 21 | Earth + X Neutral | 10 kA | | | | | | | | |
| 1 353 01 | X Neutral | 6 kA | | | | | | | | |
| 1 353 61 | Earth + X Neutral | | | | | | | | | |
| 1 355 41 | Earth + Neutral | | | | | | | | | |
| 1 350 51 | transparent | Earth | 6 kA | | | | | | | |
| 1 351 51 | | Earth + Neutral | | | | | | | | |
| 1 352 31 | | Earth + X Neutral | 10 kA | | | | | | | |
| 1 353 11 | | X Neutral | 6 kA | | | | | | | |
| 1 353 71 | | Earth + X Neutral | | | | | | | | |
| 1 355 51 | Earth + Neutral | | | | | | | | | |
| 1 350 61 | Dry partition | white | Earth | | | 10 kA | | | | |
| 1 351 61 | | | Earth + Neutral | | | | | | | |
| 1 352 41 | | | Earth + X Neutral | | | 10 kA | | | | |
| 1 354 01 | | | Earth + X Neutral | | | 6 kA | | | | |
| 1 355 61 | | | Earth + Neutral | | | | | | | |
| 1 350 71 | | Earth | | | | | | | | |
| 1 351 71 | | Earth + Neutral | 6 kA | | | | | | | |
| 1 352 51 | | Earth + X Neutral | | | | | | | | |
| 1 354 11 | | Earth + X Neutral | | | | | | | | |
| 1 355 71 | | Earth + Neutral | 6 kA | | | | | | | |

Practibox S flush-mounting cabinets with unprotected terminal blocks on a support

Cat. No(s): 1 340 44/46/48/54/56/58/64/66/68/74/76/78
 1 341 44/46/48/54/56/58/64/66/68/74/76/78 - 1 345 44/46/48/54/56/58/64/66/68/74/76/78 - 1 350 41/42/43/44/51/52/53/54/61/62/63/64/71/72/73/74
 1 351 41/42/43/44/51/52/53/54/61/62/63/64/71/72/73/74 - 1 352 21/22/23/24/31/32/33/34/41/42/43/44/51/52/53/54 - 1 353 01/02/03/04/11/12/13/14/61/62/63/64/71/72/73/74 - 1 354 01/02/03/04/11/12/13/14 - 1 355 41/42/43/44/51/52/53/54/61/62/63/64/71/72/73/74 - 1 370 45/46/47/48/49/55/56/57/58/59/65/66/67/68/69/75/76/77/78/79 - 1 371 45/46/47/48/49/55/56/57/58/59/65/66/67/68/69/75/76/77/78/79 - 1 372 25/26/27/28/29/35/36/37/38/39/45/46/47/48/49/55/56/57/58/59 - 1 373 06/08/09/16/18/19/65/66/67/68/69/75/76/77/78/79 - 1 374 05/06/07/08/09/15/16/17/18/19
 1 375 45/46/47/48/49/55/56/57/58/59/65/66/67/68/69/75/76/77/78/79

2. RANGES (continued)

| Cat. No. | No. of rows | No. of modules per row | Box type | Door colour | Terminal block | Terminal block short-circuit current | | |
|----------|-------------------|------------------------|-------------------|-------------------|-------------------|--------------------------------------|-------|------|
| 1 350 42 | 2 | 12 | Masonry | white | Earth | 6 kA | | |
| 1 351 42 | | | | | Earth + Neutral | | | |
| 1 352 22 | | | | | Earth + X Neutral | 10 kA | | |
| 1 353 02 | | | | | X Neutral | | | |
| 1 353 62 | | | | | Earth + X Neutral | 6 kA | | |
| 1 355 42 | | | | Earth + Neutral | | | | |
| 1 350 52 | | | | Earth | | | | |
| 1 351 52 | | | | Earth + Neutral | 10 kA | | | |
| 1 352 32 | | | | Earth + X Neutral | | | | |
| 1 353 12 | | | | X Neutral | | | | |
| 1 353 72 | | | Earth + X Neutral | 6 kA | | | | |
| 1 355 52 | | | Earth + Neutral | | | | | |
| 1 350 62 | | | Earth | | Dry partition | white | Earth | 6 kA |
| 1 351 62 | | | Earth + Neutral | | | | | |
| 1 352 42 | | | Earth + X Neutral | 10 kA | | | | |
| 1 354 02 | | | Earth + X Neutral | | | | | |
| 1 355 62 | | | Earth + Neutral | 6 kA | | | | |
| 1 350 72 | | | Earth | | | transparent | Earth | 6 kA |
| 1 351 72 | | | Earth + Neutral | | | | | |
| 1 352 52 | | | Earth + X Neutral | 10 kA | | | | |
| 1 354 12 | Earth + X Neutral | | | | | | | |
| 1 355 72 | Earth + Neutral | 6 kA | | | | | | |
| 1 350 43 | 3 | 12 | Masonry | white | Earth | 6 kA | | |
| 1 351 43 | | | | | Earth + Neutral | | | |
| 1 352 23 | | | | | Earth + X Neutral | 10 kA | | |
| 1 353 03 | | | | | X Neutral | | | |
| 1 353 63 | | | | | Earth + X Neutral | 6 kA | | |
| 1 355 43 | | | | Earth + Neutral | | | | |
| 1 350 53 | | | | Earth | transparent | | Earth | 6 kA |
| 1 351 53 | | | | Earth + Neutral | | | | |
| 1 352 33 | | | | Earth + X Neutral | | 10 kA | | |
| 1 353 13 | | | | X Neutral | | | | |
| 1 353 73 | | | Earth + X Neutral | 6 kA | | | | |
| 1 355 53 | | | Earth + Neutral | | | | | |
| 1 350 63 | | | Earth | | Dry partition | white | Earth | 6 kA |
| 1 351 63 | | | Earth + Neutral | | | | | |
| 1 352 43 | | | Earth + X Neutral | 10 kA | | | | |
| 1 354 03 | | | Earth + X Neutral | | | | | |
| 1 355 63 | | | Earth + Neutral | 6 kA | | | | |
| 1 350 73 | | | Earth | | | transparent | Earth | 6 kA |
| 1 351 73 | | | Earth + Neutral | | | | | |
| 1 352 53 | | | Earth + X Neutral | 10 kA | | | | |
| 1 354 13 | Earth + X Neutral | | | | | | | |
| 1 355 73 | Earth + Neutral | 6 kA | | | | | | |

Practibox S flush-mounting cabinets with unprotected terminal blocks on a support

Cat. No(s): 1 340 44/46/48/54/56/58/64/66/68/74/76/78
 1 341 44/46/48/54/56/58/64/66/68/74/76/78 - 1 345 44/46/48/54/56/58/64/66/68/74/76/78 - 1 350 41/42/43/44/51/52/53/54/61/62/63/64/71/72/73/74
 1 351 41/42/43/44/51/52/53/54/61/62/63/64/71/72/73/74 - 1 352 21/22/23/24/31/32/33/34/41/42/43/44/51/52/53/54 - 1 353 01/02/03/04/11/12/13/14/61/62/63/64/71/72/73/74 - 1 354 01/02/03/04/11/12/13/14 - 1 355 41/42/43/44/51/52/53/54/61/62/63/64/71/72/73/74 - 1 370 45/46/47/48/49/55/56/57/58/59/65/66/67/68/69/75/76/77/78/79 - 1 371 45/46/47/48/49/55/56/57/58/59/65/66/67/68/69/75/76/77/78/79 - 1 372 25/26/27/28/29/35/36/37/38/39/45/46/47/48/49/55/56/57/58/59 - 1 373 06/08/09/16/18/19/65/66/67/68/69/75/76/77/78/79 - 1 374 05/06/07/08/09/15/16/17/18/19
 1 375 45/46/47/48/49/55/56/57/58/59/65/66/67/68/69/75/76/77/78/79

2. RANGES (continued)

| Cat. No. | No. of rows | No. of modules per row | Box type | Door colour | Terminal block | Terminal block short-circuit current |
|----------|-------------------|------------------------|-------------------|-------------------|-------------------|--------------------------------------|
| 1 350 44 | 4 | 12 | Masonry | white | Earth | 6 kA |
| 1 351 44 | | | | | Earth + Neutral | |
| 1 352 24 | | | | | Earth + X Neutral | 10 kA |
| 1 353 04 | | | | | X Neutral | |
| 1 353 64 | | | | | Earth + X Neutral | |
| 1 355 44 | | | | Earth + Neutral | 6 kA | |
| 1 350 54 | | | | Earth | | |
| 1 351 54 | | | | Earth + Neutral | | |
| 1 352 34 | | | | Earth + X Neutral | | 10 kA |
| 1 353 14 | | | | X Neutral | | |
| 1 353 74 | | | Earth + X Neutral | 6 kA | | |
| 1 355 54 | | | Earth + Neutral | | | |
| 1 350 64 | | | Earth | | | |
| 1 351 64 | | | Earth + Neutral | | | |
| 1 352 44 | | | Earth + X Neutral | | 10 kA | |
| 1 354 04 | | | Earth + X Neutral | | | |
| 1 355 64 | | | Earth + Neutral | 6 kA | | |
| 1 350 74 | | | Earth | | | |
| 1 351 74 | | | Earth + Neutral | | | |
| 1 352 54 | | | Earth + X Neutral | | 10 kA | |
| 1 354 14 | Earth + X Neutral | | | | | |
| 1 355 74 | Earth + Neutral | 6 kA | | | | |
| 1 370 46 | 1 | | 18 | Masonry | white | Earth |
| 1 371 46 | | Earth + Neutral | | | | |
| 1 372 26 | | Earth + X Neutral | | | | |
| 1 373 06 | | X Neutral | | | | |
| 1 373 66 | | Earth + X Neutral | | | | |
| 1 375 46 | | Earth + Neutral | | | | |
| 1 370 56 | | Earth | | | 10 kA | |
| 1 371 56 | | Earth + Neutral | | | | |
| 1 372 36 | | Earth + X Neutral | | | | |
| 1 373 16 | | X Neutral | | | | |
| 1 373 76 | | Earth + X Neutral | | | | |
| 1 375 56 | | Earth + Neutral | | 10 kA | | |
| 1 370 66 | | Earth | | | | |
| 1 371 66 | | Earth + Neutral | | | | |
| 1 372 46 | | Earth + X Neutral | | | | |
| 1 374 06 | | Earth + X Neutral | | | | |
| 1 375 66 | | Earth + Neutral | | | | |
| 1 370 76 | | Earth | | | 10 kA | |
| 1 371 76 | | Earth + Neutral | | | | |
| 1 372 56 | | Earth + X Neutral | | | | |
| 1 374 16 | Earth + X Neutral | | | | | |
| 1 375 76 | Earth + Neutral | | | | | |
| 1 370 66 | Dry partition | white | white | Earth | 10 kA | |
| 1 371 66 | | | | Earth + Neutral | | |
| 1 372 46 | | | | Earth + X Neutral | | |
| 1 374 06 | | | | Earth + X Neutral | | |
| 1 375 66 | | | | Earth + Neutral | | |
| 1 370 76 | | transparent | transparent | transparent | Earth | 10 kA |
| 1 371 76 | | | | | Earth + Neutral | |
| 1 372 56 | | | | | Earth + X Neutral | |
| 1 374 16 | | | | | Earth + X Neutral | |
| 1 375 76 | | | | | Earth + Neutral | |

Practibox S flush-mounting cabinets with unprotected terminal blocks on a support

Cat. No(s): 1 340 44/46/48/54/56/58/64/66/68/74/76/78
 1 341 44/46/48/54/56/58/64/66/68/74/76/78 - 1 345 44/46/48/54/56/58/64/66/68/74/76/78 - 1 350 41/42/43/44/51/52/53/54/61/62/63/64/71/72/73/74
 1 351 41/42/43/44/51/52/53/54/61/62/63/64/71/72/73/74 - 1 352 21/22/23/24/31/32/33/34/41/42/43/44/51/52/53/54 - 1 353 01/02/03/04/11/12/13/14/61/62/63/64/71/72/73/74 - 1 354 01/02/03/04/11/12/13/14 - 1 355 41/42/43/44/51/52/53/54/61/62/63/64/71/72/73/74 - 1 370 45/46/47/48/49/55/56/57/58/59/65/66/67/68/69/75/76/77/78/79 - 1 371 45/46/47/48/49/55/56/57/58/59/65/66/67/68/69/75/76/77/78/79 - 1 372 25/26/27/28/29/35/36/37/38/39/45/46/47/48/49/55/56/57/58/59 - 1 373 06/08/09/16/18/19/65/66/67/68/69/75/76/77/78/79 - 1 374 05/06/07/08/09/15/16/17/18/19
 1 375 45/46/47/48/49/55/56/57/58/59/65/66/67/68/69/75/76/77/78/79

2. RANGES (continued)

| Cat. No. | No. of rows | No. of modules per row | Box type | Door colour | Terminal block | Terminal block short-circuit current |
|----------|-------------------|------------------------|-------------------|-------------------|-------------------|--------------------------------------|
| 1 370 47 | 2 | 18 | Masonry | white | Earth | 10 kA |
| 1 371 47 | | | | | Earth + Neutral | |
| 1 372 27 | | | | | Earth + X Neutral | |
| 1 373 67 | | | | | Earth + X Neutral | |
| 1 375 47 | | | | | Earth + Neutral | |
| 1 370 57 | | | | Earth | | |
| 1 371 57 | | | | Earth + Neutral | | |
| 1 372 37 | | | | Earth + X Neutral | | |
| 1 373 77 | | | | Earth + X Neutral | | |
| 1 375 57 | | | | Earth + Neutral | | |
| 1 370 67 | | | Dry partition | white | Earth | |
| 1 371 67 | | | | | Earth + Neutral | |
| 1 372 47 | | | | | Earth + X Neutral | |
| 1 374 07 | | | | | Earth + X Neutral | |
| 1 375 67 | | | | | Earth + Neutral | |
| 1 370 77 | | | | Earth | | |
| 1 371 77 | | | | Earth + Neutral | | |
| 1 372 57 | | | | Earth + X Neutral | | |
| 1 374 17 | | | | Earth + X Neutral | | |
| 1 375 77 | | | | Earth + Neutral | | |
| 1 370 48 | 3 | 18 | Masonry | white | Earth | 10 kA |
| 1 371 48 | | | | | Earth + Neutral | |
| 1 372 28 | | | | | Earth + X Neutral | |
| 1 373 08 | | | | | X Neutral | |
| 1 373 68 | | | | | Earth + X Neutral | |
| 1 375 48 | | | | Earth + Neutral | | |
| 1 370 58 | | | | Earth | | |
| 1 371 58 | | | | Earth + Neutral | | |
| 1 372 38 | | | | Earth + X Neutral | | |
| 1 373 18 | | | | X Neutral | | |
| 1 373 78 | | | Earth + X Neutral | | | |
| 1 375 58 | | | Earth + Neutral | | | |
| 1 370 68 | | | Dry partition | white | Earth | |
| 1 371 68 | | | | | Earth + Neutral | |
| 1 372 48 | | | | | Earth + X Neutral | |
| 1 374 08 | | | | | Earth + X Neutral | |
| 1 375 68 | | | | | Earth + Neutral | |
| 1 370 78 | | | | Earth | | |
| 1 371 78 | | | | Earth + Neutral | | |
| 1 372 58 | | | | Earth + X Neutral | | |
| 1 374 18 | Earth + X Neutral | | | | | |
| 1 375 78 | Earth + Neutral | | | | | |

Practibox S flush-mounting cabinets with unprotected terminal blocks on a support

Cat. No(s): 1 340 44/46/48/54/56/58/64/66/68/74/76/78
 1 341 44/46/48/54/56/58/64/66/68/74/76/78 - 1 345 44/46/48/54/56/58/64/66/68/74/76/78 - 1 350 41/42/43/44/51/52/53/54/61/62/63/64/71/72/73/74
 1 351 41/42/43/44/51/52/53/54/61/62/63/64/71/72/73/74 - 1 352 21/22/23/24/31/32/33/34/41/42/43/44/51/52/53/54 - 1 353 01/02/03/04/11/12/13/14/61/62/63/64/71/72/73/74 - 1 354 01/02/03/04/11/12/13/14 - 1 355 41/42/43/44/51/52/53/54/61/62/63/64/71/72/73/74 - 1 370 45/46/47/48/49/55/56/57/58/59/65/66/67/68/69/75/76/77/78/79 - 1 371 45/46/47/48/49/55/56/57/58/59/65/66/67/68/69/75/76/77/78/79 - 1 372 25/26/27/28/29/35/36/37/38/39/45/46/47/48/49/55/56/57/58/59 - 1 373 06/08/09/16/18/19/65/66/67/68/69/75/76/77/78/79 - 1 374 05/06/07/08/09/15/16/17/18/19
 1 375 45/46/47/48/49/55/56/57/58/59/65/66/67/68/69/75/76/77/78/79

2. RANGES (continued)

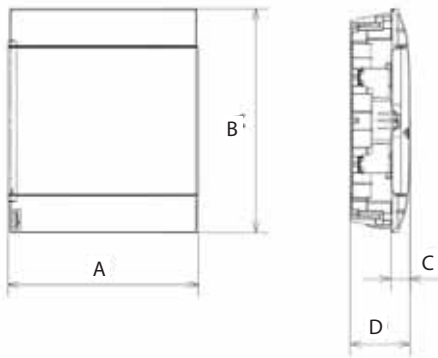
| Cat. No. | No. of rows | No. of modules per row | Box type | Door colour | Terminal block | Terminal block short-circuit current |
|----------|-------------------|------------------------|-------------------|-------------|-------------------|--------------------------------------|
| 1 370 49 | 4 | 18 | Masonry | white | Earth | 10 kA |
| 1 371 49 | | | | | Earth + Neutral | |
| 1 372 29 | | | | | Earth + X Neutral | |
| 1 373 09 | | | | | X Neutral | |
| 1 373 69 | | | | | Earth + X Neutral | |
| 1 375 49 | | | | | Earth + Neutral | |
| 1 370 59 | | | | transparent | Earth | |
| 1 371 59 | | | | | Earth + Neutral | |
| 1 372 39 | | | | | Earth + X Neutral | |
| 1 373 19 | | | | | X Neutral | |
| 1 373 79 | | | Earth + X Neutral | | | |
| 1 375 59 | | | Earth + Neutral | | | |
| 1 370 69 | | | Dry partition | white | Earth | |
| 1 371 69 | | | | | Earth + Neutral | |
| 1 372 49 | | | | | Earth + X Neutral | |
| 1 374 09 | | | | | Earth + X Neutral | |
| 1 375 69 | | | | | Earth + Neutral | |
| 1 370 79 | | | | transparent | Earth | |
| 1 371 79 | | | | | Earth + Neutral | |
| 1 372 59 | | | | | Earth + X Neutral | |
| 1 374 19 | Earth + X Neutral | | | | | |
| 1 375 79 | Earth + Neutral | | | | | |
| 1 370 45 | 1 | 22 | Masonry | white | Earth | 10 kA |
| 1 371 45 | | | | | Earth + Neutral | |
| 1 372 25 | | | | | Earth + X Neutral | |
| 1 373 65 | | | | | Earth + X Neutral | |
| 1 375 45 | | | | | Earth + Neutral | |
| 1 370 55 | | | | transparent | Earth | |
| 1 371 55 | | | | | Earth + Neutral | |
| 1 372 35 | | | | | Earth + X Neutral | |
| 1 373 75 | | | | | Earth + X Neutral | |
| 1 375 55 | | | | | Earth + Neutral | |
| 1 370 65 | | | Dry partition | white | Earth | |
| 1 371 65 | | | | | Earth + Neutral | |
| 1 372 45 | | | | | Earth + X Neutral | |
| 1 374 05 | | | | | Earth + X Neutral | |
| 1 375 65 | | | | | Earth + Neutral | |
| 1 370 75 | | | | transparent | Earth | |
| 1 371 75 | | | | | Earth + Neutral | |
| 1 372 55 | | | | | Earth + X Neutral | |
| 1 374 15 | | | | | Earth + X Neutral | |
| 1 375 75 | | | | | Earth + Neutral | |

Practibox S flush-mounting cabinets with unprotected terminal blocks on a support

Cat. No(s): 1 340 44/46/48/54/56/58/64/66/68/74/76/78
 1 341 44/46/48/54/56/58/64/66/68/74/76/78 - 1 345 44/46/48/54/56/58/64/66/68/74/76/78 - 1 350 41/42/43/44/51/52/53/54/61/62/63/64/71/72/73/74
 1 351 41/42/43/44/51/52/53/54/61/62/63/64/71/72/73/74 - 1 352 21/22/23/24/31/32/33/34/41/42/43/44/51/52/53/54 - 1 353 01/02/03/04/11/12/13/14/15/16/17/18/19/20/21/22/23/24/31/32/33/34/41/42/43/44/51/52/53/54 - 1 354 01/02/03/04/11/12/13/14 - 1 355 41/42/43/44/51/52/53/54/61/62/63/64/71/72/73/74 - 1 370 45/46/47/48/49/55/56/57/58/59/65/66/67/68/69/75/76/77/78/79 - 1 371 45/46/47/48/49/55/56/57/58/59/65/66/67/68/69/75/76/77/78/79 - 1 372 25/26/27/28/29/35/36/37/38/39/45/46/47/48/49/55/56/57/58/59 - 1 373 06/08/09/16/18/19/65/66/67/68/69/75/76/77/78/79 - 1 374 05/06/07/08/09/15/16/17/18/19
 1 375 45/46/47/48/49/55/56/57/58/59/65/66/67/68/69/75/76/77/78/79

3. DIMENSIONS

3.1 Dimensions



| Cat. Nos. | No. of rows | No. of modules per row | A (mm) | B (mm) | C (mm) | D (mm) |
|--|-------------|------------------------|--------|--------|--------|--------|
| 1 340 44/54/64/74 - 1 341 44/54/64/74 - 1 345 44/54/64/74 | 1 | 4 | 184 | 215 | 30 | 102 |
| 1 340 46/56/66/76 - 1 341 46/56/66/76 - 1 345 46/56/66/76 | 1 | 6 | 220 | 215 | 30 | 102 |
| 1 340 48/58/68/78 - 1 341 48/58/68/78 - 1 343 08/18 1 345 45/58/68/78 | 1 | 8 | 256 | 225 | 30 | 102 |
| 1 350 41/51/61/71 - 1 351 41/51/61/71 - 1 352 21/31/41/51 1 353 01/11/61/71 - 1 354 01/11 - 1 355 41/51/61/71 | 1 | 12 | 328 | 235 | 32 | 104 |
| 1 350 42/52/62/72 - 1 351 42/52/62/72 - 1 352 22/32/42/52 1 353 02/12/1962/72 - 1 354 02/12 - 1 355 42/52/62/72 | 2 | 12 | 328 | 385 | 33 | 105 |
| 1 350 43/53/63/73 - 1 351 43/53/63/73 - 1 352 23/33/43/53 1 353 03/13/63/73 - 1 354 03/13 - 1 355 43/53/63/73 | 3 | 12 | 328 | 535 | 33 | 105 |
| 1 350 44/54/64/74 - 1 351 44/54/64/74 - 1 352 24/34/44/54 1 353 04/14/64/74 - 1 354 04/14 - 1 355 44/54/64/74 | 4 | 12 | 328 | 765 | 33 | 105 |
| 1 370 46/56/66/76 - 1 371 46/56/66/76 - 1 372 26/36/46/56 1 373 06/16/66/76 - 1 374 06/16 - 1 375 46/56/66/76 | 1 | 18 | 436 | 235 | 32 | 104 |
| 1 370 47/57/67/77 - 1 371 47/57/67/77 - 1 372 27/37/47/57 1 373 67/77 - 1 374 07/17 - 1 375 47/57/67/77 | 2 | 18 | 436 | 385 | 33 | 105 |
| 1 370 48/58/68/78 - 1 371 48/58/68/78 - 1 372 28/38/48/58 1 373 08/18/68/78 - 1 374 08/18 - 1 375 48/58/68/78 | 3 | 18 | 436 | 615 | 33 | 105 |
| 1 370 49/59/69/79 - 1 371 49/59/69/79 - 1 372 29/39/49/59 1 373 09/19/69/79 - 1 374 09/19 - 1 375 49/59/69/79 | 4 | 18 | 436 | 765 | 33 | 105 |
| 1 370 45/55/65/75 - 1 371 45/55/65/75 - 1 372 25/35/45/55 1 373 65/75 - 1 374 05/15 - 1 375 45/55/65/75 | 1 | 22 | 508 | 235 | 32 | 104 |

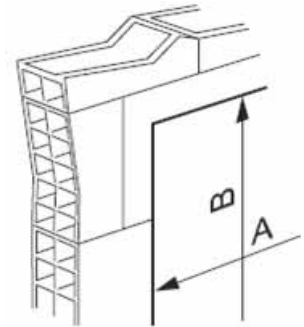
Practibox S flush-mounting cabinets with unprotected terminal blocks on a support

Cat. No(s): 1 340 44/46/48/54/56/58/64/66/68/74/76/78
 1 341 44/46/48/54/56/58/64/66/68/74/76/78 - 1 345 44/46/48/54/56/58/64/66/68/74/76/78 - 1 350 41/42/43/44/51/52/53/54/61/62/63/64/71/72/73/74
 1 351 41/42/43/44/51/52/53/54/61/62/63/64/71/72/73/74 - 1 352 21/22/23/24/31/32/33/34/41/42/43/44/51/52/53/54 - 1 353 01/02/03/04/11/12/13/14/61/62/63/64/71/72/73/74 - 1 354 01/02/03/04/11/12/13/14 - 1 355 41/42/43/44/51/52/53/54/61/62/63/64/71/72/73/74 - 1 370 45/46/47/48/49/55/56/57/58/59/65/66/67/68/69/75/76/77/78/79 - 1 371 45/46/47/48/49/55/56/57/58/59/65/66/67/68/69/75/76/77/78/79 - 1 372 25/26/27/28/29/35/36/37/38/39/45/46/47/48/49/55/56/57/58/59 - 1 373 06/08/09/16/18/19/65/66/67/68/69/75/76/77/78/79 - 1 374 05/06/07/08/09/15/16/17/18/19
 1 375 45/46/47/48/49/55/56/57/58/59/65/66/67/68/69/75/76/77/78/79

3. DIMENSIONS (continued)

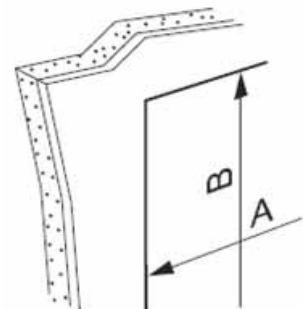
3.2 Cut-out dimensions in masonry wall

| Cat. Nos. | Number of rows | Modules per row | A (mm) | B (mm) |
|--|----------------|-----------------|--------|--------|
| 1 340 44/54 - 1 341 44/54 - 1 345 44/54 | 1 | 4 | 166 | 215 |
| 1 340 46/56 - 1 341 46/56 - 1 345 46/56 | 1 | 6 | 202 | 215 |
| 1 340 48/58 - 1 341 48/58 - 1 343 08/18 - 1 345 48/58 | 1 | 8 | 238 | 225 |
| 1 350 41/51 - 1 351 41/51 - 1 352 21/31 - 1 353 01/11/61/71 1 355 41/51 | 1 | 12 | 310 | 235 |
| 1 350 42/52 - 1 351 42/52 - 1 352 22/32 - 1 353 02/12/62/72 1 355 42/52 | 2 | 12 | 310 | 385 |
| 1 350 43/53 - 1 351 43/53 - 1 352 23/33 - 1 353 03/13/63/73 1 355 43/53 | 3 | 12 | 310 | 535 |
| 1 350 44/54 - 1 351 44/54 - 1 352 24/34 - 1 353 04/14/64/74 1 355 44/54 | 4 | 12 | 310 | 765 |
| 1 370 46/56 - 1 371 46/56 - 1 372 26/36 - 1 373 06/16/66/76 1 375 46/56 | 1 | 18 | 418 | 235 |
| 1 370 47/57 - 1 371 47/57 - 1 372 27/37 - 1 373 07/17/67/77 1 375 47/57 | 2 | 18 | 418 | 385 |
| 1 370 48/58 - 1 371 48/58 - 1 372 28/38 - 1 373 08/18/68/78 1 375 48/58 | 3 | 18 | 418 | 615 |
| 1 370 49/59 - 1 371 49/59 - 1 372 29/39 - 1 373 09/19/69/79 1 375 49/59 | 4 | 18 | 418 | 765 |
| 1 370 45/55 - 1 371 45/55 - 1 372 25/35 - 1 373 65/75 1 375 45/55 | 1 | 22 | 490 | 235 |



3.3 Cut-out dimensions for mounting in dry partitions

| Cat. Nos. | Number of rows | Modules per row | A (mm) | B (mm) |
|--|----------------|-----------------|--------|--------|
| 1 340 64/74 - 1 341 64/74 - 1 345 64/74 | 1 | 4 | 142 | 205 |
| 1 340 66/76 - 1 341 66/76 - 1 345 66/76 | 1 | 6 | 178 | 205 |
| 1 340 68/78 - 1 341 68/78 - 1 345 68/78 | 1 | 8 | 214 | 215 |
| 1 350 61/71 - 1 351 61/71 - 1 352 41/51 - 1 354 01/11 1 355 61/71 | 1 | 12 | 286 | 225 |
| 1 350 62/72 - 1 351 62/72 - 1 352 42/52 - 1 354 02/12 1 355 62/72 | 2 | 12 | 286 | 375 |
| 1 350 63/73 - 1 351 63/73 - 1 352 43/53 - 1 354 03/13 1 355 63/73 | 3 | 12 | 286 | 525 |
| 1 350 64/74 - 1 351 64/74 - 1 352 44/54 - 1 354 04/14 1 355 64/74 | 4 | 12 | 286 | 755 |
| 1 370 66/76 - 1 371 66/76 - 1 372 46/56 - 1 374 06/16 1 375 66/76 | 1 | 18 | 394 | 225 |
| 1 370 67/77 - 1 371 67/77 - 1 372 47/57 - 1 374 07/17 1 375 67/77 | 2 | 18 | 394 | 375 |
| 1 370 68/78 - 1 371 68/78 - 1 372 48/58 - 1 374 08/18 1 375 68/78 | 3 | 18 | 394 | 605 |
| 1 370 69/79 - 1 371 69/79 - 1 372 49/59 - 1 374 09/19 1 375 69/79 | 4 | 18 | 394 | 755 |
| 1 370 65/75 - 1 371 65/75 - 1 372 45/55 - 1 374 05/15 1 375 65/75 | 1 | 22 | 466 | 225 |



Practibox S flush-mounting cabinets with unprotected terminal blocks on a support

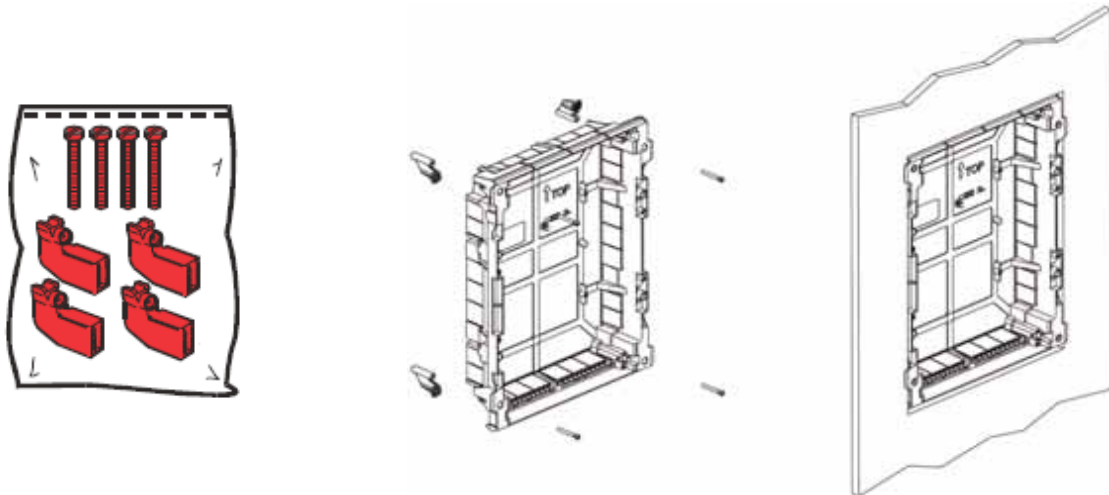
Cat. No(s): 1 340 44/46/48/54/56/58/64/66/68/74/76/78
1 341 44/46/48/54/56/58/64/66/68/74/76/78 - 1 345 44/46/48/54/56/58/64/66/
68/74/76/78 - 1 350 41/42/43/44/51/52/53/54/61/62/63/64/71/72/73/74
1 351 41/42/43/44/51/52/53/54/61/62/63/64/71/72/73/74 - 1 352 21/22/
23/24/31/32/33/34/41/42/43/44/51/52/53/54 - 1 353 01/02/03/04/11/12/
13/14/61/62/63/64/71/72/73/74 - 1 354 01/02/03/04/11/12/13/14 - 1 355 41/
42/43/44/51/52/53/54/61/62/63/64/71/72/73/74 - 1 370 45/46/47/48/49/55/
56/57/58/59/65/66/67/68/69/75/76/77/78/79 - 1 371 45/46/47/48/49/55/56/
57/58/59/65/66/67/68/69/75/76/77/78/79 - 1 372 25/26/27/28/29/35/
36/37/38/39/45/46/47/48/49/55/56/57/58/59 - 1 373 06/08/09/16/18/19/
65/66/67/68/69/75/76/77/78/79 - 1 374 05/06/07/08/09/15/16/17/18/19
1 375 45/46/47/48/49/55/56/57/58/59/65/66/67/68/69/75/76/77/78/79

3. DIMENSIONS (continued)

■ 3.3 Cut-out dimensions for mounting in dry partitions (continued)

The dry partition fixing kit is included with boxes intended for this type of use.

Tightening torque of claw screws: 0.8 Nm



4. GENERAL CHARACTERISTICS

■ 4.1 Technical characteristics

- . Cover colour: white RAL 9003
- . Door colour: white RAL 9003 or transparent (smoked)
- . Protection index: IP40 - IK07 with door conforming to IEC 60 670-24 Edition 2.0 2011-03
- . Self-extinguishing in accordance with IEC 60695-2-11 Edition 2.0 2014-02:
 - boxes for dry partitions 850°C/for masonry 650°C
 - covers, flaps 650°C
- . Operating torque of cover metal screws: 1.2 Nm

- . Class II double insulation
- . Rated operating voltage: 400 VAC - 50/60 Hz
- . Rated insulation voltage: 400 VAC - 50/60 Hz
- . Rated impulse withstand voltage: $U_{imp} = 6$ kV
- . Short-circuit current: $I_{cc\ max}$ 10 kA
- . Storage and installation temperature: -20°C to +70°C
- . Usage temperature: -10°C to +40°C
- . Permissible loads: 40 N per row
- . Enclosures classified GP and PD

Practibox S flush-mounting cabinets with unprotected terminal blocks on a support

Cat. No(s): 1 340 44/46/48/54/56/58/64/66/68/74/76/78
 1 341 44/46/48/54/56/58/64/66/68/74/76/78 - 1 345 44/46/48/54/56/58/64/66/68/74/76/78 - 1 350 41/42/43/44/51/52/53/54/61/62/63/64/71/72/73/74
 1 351 41/42/43/44/51/52/53/54/61/62/63/64/71/72/73/74 - 1 352 21/22/23/24/31/32/33/34/41/42/43/44/51/52/53/54 - 1 353 01/02/03/04/11/12/13/14/61/62/63/64/71/72/73/74 - 1 354 01/02/03/04/11/12/13/14 - 1 355 41/42/43/44/51/52/53/54/61/62/63/64/71/72/73/74 - 1 370 45/46/47/48/49/55/56/57/58/59/65/66/67/68/69/75/76/77/78/79 - 1 371 45/46/47/48/49/55/56/57/58/59/65/66/67/68/69/75/76/77/78/79 - 1 372 25/26/27/28/29/35/36/37/38/39/45/46/47/48/49/55/56/57/58/59 - 1 373 06/08/09/16/18/19/65/66/67/68/69/75/76/77/78/79 - 1 374 05/06/07/08/09/15/16/17/18/19
 1 375 45/46/47/48/49/55/56/57/58/59/65/66/67/68/69/75/76/77/78/79

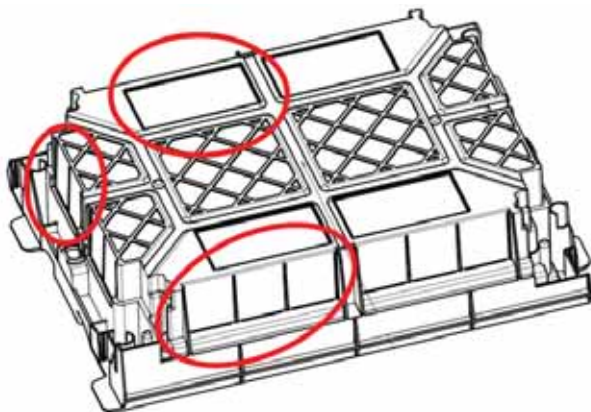
4. GENERAL CHARACTERISTICS (continued)

4.1 Technical characteristics (continued)

Maximum permissible current and dissipated power:

| Cat. Nos. | No. of rows | Modules per row | Max. permissible current (A) | Dissipated power (Pde) |
|--|-------------|-----------------|------------------------------|------------------------|
| 1 340 44/54/64/74 - 1 341 44/54/64/74 - 1 345 44/54/64/74 | 1 | 4 | 40 A | 10 W |
| 1 340 46/56/66/76 - 1 341 46/56/66/76 - 1 345 46/56/66/76 | 1 | 6 | 40 A | 12 W |
| 1 340 48/58/68/78 - 1 341 48/58/68/78 - 1 343 08/18 1 345 45/58/68/78 | 1 | 8 | 63 A | 16 W |
| 1 350 41/51/61/71 - 1 351 41/51/61/71 - 1 352 21/31/41/51 1 353 01/11/61/71 - 1 354 01/11 - 1 355 41/51/61/71 | 1 | 12 | 63 A | 23 W |
| 1 350 42/52/62/72 - 1 351 42/52/62/72 - 1 352 22/32/42/52 1 353 02/12/1962/72 - 1 354 02/12 - 1 355 42/52/62/72 | 2 | 12 | 90 A | 34 W |
| 1 350 43/53/63/73 - 1 351 43/53/63/73 - 1 352 23/33/43/53 1 353 03/13/63/73 - 1 354 03/13 - 1 355 43/53/63/73 | 3 | 12 | 90 A | 40 W |
| 1 350 44/54/64/74 - 1 351 44/54/64/74 - 1 352 24/34/44/54 1 353 04/14/64/74 - 1 354 04/14 - 1 355 44/54/64/74 | 4 | 12 | 90 A | 57 W |
| 1 370 46/56/66/76 - 1 371 46/56/66/76 - 1 372 26/36/46/56 1 373 06/16/66/76 - 1 374 06/16 - 1 375 46/56/66/76 | 1 | 18 | 63 A | 31 W |
| 1 370 47/57/67/77 - 1 371 47/57/67/77 - 1 372 27/37/47/57 1 373 07/17 - 1 374 07/17 - 1 375 47/57/67/77 | 2 | 18 | 90 A | 57 W |
| 1 370 48/58/68/78 - 1 371 48/58/68/78 - 1 372 28/38/48/58 1 373 08/18/68/78 - 1 374 08/18 - 1 375 48/58/68/78 | 3 | 18 | 90 A | 57 W |
| 1 370 49/59/69/79 - 1 371 49/59/69/79 - 1 372 29/39/49/59 1 373 09/19/69/79 - 1 374 09/19 - 1 375 49/59/69/79 | 4 | 18 | 90 A | 66 W |
| 1 370 45/55/65/75 - 1 371 45/55/65/75 - 1 372 25/35/45/55 1 373 65/75 - 1 374 05/15 - 1 375 45/55/65/75 | 1 | 22 | 90 A | 36 W |

4.2 Tube entries



4.2.1. 4-module cabinets

| Cat. Nos. | Number of rows | Modules per row | Ø25 mm at the top of the box | Ø25 mm at the bottom of the box | Ø20 mm on the right of the box | Ø20 mm on the left of the box | 2 Ø16 mm or 1 Ø20 mm at the back of the box |
|---|----------------|-----------------|------------------------------|---------------------------------|--------------------------------|-------------------------------|---|
| 1 340 44/54/64/74 - 1 341 44/54/64/74 - 1 345 44/54/64/74 | 1 | 4 | 2 | 2 | 4 | 4 | 4 |

Practibox S flush-mounting cabinets with unprotected terminal blocks on a support

Cat. No(s): 1 340 44/46/48/54/56/58/64/66/68/74/76/78
 1 341 44/46/48/54/56/58/64/66/68/74/76/78 - 1 345 44/46/48/54/56/58/64/66/68/74/76/78 - 1 350 41/42/43/44/51/52/53/54/61/62/63/64/71/72/73/74
 1 351 41/42/43/44/51/52/53/54/61/62/63/64/71/72/73/74 - 1 352 21/22/23/24/31/32/33/34/41/42/43/44/51/52/53/54 - 1 353 01/02/03/04/11/12/13/14 - 1 355 41/42/43/44/51/52/53/54/61/62/63/64/71/72/73/74 - 1 370 45/46/47/48/49/55/56/57/58/59/65/66/67/68/69/75/76/77/78/79 - 1 371 45/46/47/48/49/55/56/57/58/59/65/66/67/68/69/75/76/77/78/79 - 1 372 25/26/27/28/29/35/36/37/38/39/45/46/47/48/49/55/56/57/58/59 - 1 373 06/08/09/16/18/19/65/66/67/68/69/75/76/77/78/79 - 1 374 05/06/07/08/09/15/16/17/18/19
 1 375 45/46/47/48/49/55/56/57/58/59/65/66/67/68/69/75/76/77/78/79

4. GENERAL CHARACTERISTICS (continued)

4.2.2. 6-module cabinets

| Cat. Nos. | Number of rows | Modules per row | Ø25 mm at the top of the box | Ø25 mm at the bottom of the box | Ø20 mm on the right of the box | Ø20 mm on the left of the box | 38X38 mm square hole at the back of the box |
|---|----------------|-----------------|------------------------------|---------------------------------|--------------------------------|-------------------------------|---|
| 1 340 46/56/66/76 - 1 341 46/56/66/76 - 1 345 46/56/66/76 | 1 | 6 | 3 | 3 | 4 | 4 | 4 |

4.2.3. 8-module cabinets

| Cat. Nos. | Number of rows | Modules per row | Ø30 mm at the top of the box | Ø30 mm at the bottom of the box | Ø25 mm on the right of the box | Ø25 mm on the left of the box | 60x30 mm oblong hole at the back of the box |
|---|----------------|-----------------|------------------------------|---------------------------------|--------------------------------|-------------------------------|---|
| 1 340 48/58/68/78 - 1 341 48/58/68/78 - 1 343 08/18 - 1 345 45/58/68/78 | 1 | 8 | 3 | 3 | 4 | 4 | 4 |

4.2.4. Cabinets with 12 modules per row

| Cat. Nos. | Number of rows | Modules per row | Ø30 mm at the top of the box | Ø30 mm at the bottom of the box | Ø30 mm on the right of the box | Ø25 mm on the right of the box | Ø30 mm on the left of the box | Ø25 mm on the left of the box | 70x35 mm at the back of the box |
|---|----------------|-----------------|------------------------------|---------------------------------|--------------------------------|--------------------------------|-------------------------------|-------------------------------|---------------------------------|
| 1 350 41/51/61/71 - 1 351 41/51/61/71 1 352 21/31/41/51 - 1 353 01/11/61/71 1 354 01/11 - 1 355 41/51/61/71 | 1 | 12 | 6 | 6 | - | 4 | - | 4 | 4 |
| 1 350 42/52/62/72 - 1 351 42/52/62/72 1 352 22/32/42/52 - 1 353 02/12/1962/72 1 354 02/12 - 1 355 42/52/62/72 | 2 | 12 | 6 | 6 | 3 | 4 | 3 | 4 | 6 |
| 1 350 43/53/63/73 - 1 351 43/53/63/73 1 352 23/33/43/53 - 1 353 03/13/63/73 1 354 03/13 - 1 355 43/53/63/73 | 3 | 12 | 6 | 6 | 6 | 4 | 6 | 4 | 8 |
| 1 350 44/54/64/74 - 1 351 44/54/64/74 1 352 24/34/44/54 - 1 353 04/14/64/74 1 354 04/14 - 1 355 44/54/64/74 | 4 | 12 | 6 | 6 | 9 | 4 | 9 | 4 | 10 |

4.2.5. Cabinets with 18 modules per row

| Cat. Nos. | Number of rows | Modules per row | Ø20 mm at the top of the box | Ø30 mm at the top of the box | Ø20 mm at the bottom of the box | Ø30 mm at the bottom of the box | Ø30 mm on the right of the box | Ø30 mm on the left of the box | Ø30 mm at the back of the box | 125x 45 mm at the back of the box | 125x 35 mm at the back of the box | 100x 70 mm at the back of the box | 100x 35 mm at the back of the box |
|---|----------------|-----------------|------------------------------|------------------------------|---------------------------------|---------------------------------|--------------------------------|-------------------------------|-------------------------------|-----------------------------------|-----------------------------------|-----------------------------------|-----------------------------------|
| 1 370 46/56/66/76 - 1 371 46/56/66/76 - 1 372 26/36/46/56 1 373 06/16/66/76 - 1 374 06/16 1 375 46/56/66/76 | 1 | 18 | - | 6 | - | 6 | 4 | 4 | - | - | - | - | 4 |
| 1 370 47/57/67/77 - 1 371 47/57/67/77 - 1 372 27/37/47/57 1 373 07/17/67/77 - 1 374 07/17 1 375 47/57/67/77 | 2 | 18 | 2 | 8 | 2 | 8 | 5 | 5 | 4 | - | 2 | - | 4 |
| 1 370 48/58/68/78 - 1 371 48/58/68/78 - 1 372 28/38/48/58 1 373 08/18/68/78 - 1 374 08/18 1 375 48/58/68/78 | 3 | 18 | 2 | 8 | 2 | 8 | 8 | 8 | 4 | 4 | - | 4 | - |
| 1 370 49/59/69/79 - 1 371 49/59/69/79 - 1 372 29/39/49/59 1 373 09/19/69/79 - 1 374 09/19 1 375 49/59/69/79 | 4 | 18 | 2 | 8 | 2 | 8 | 11 | 11 | 4 | 6 | - | 4 | - |

Practibox S flush-mounting cabinets with unprotected terminal blocks on a support

Cat. No(s): 1 340 44/46/48/54/56/58/64/66/68/74/76/78
 1 341 44/46/48/54/56/58/64/66/68/74/76/78 - 1 345 44/46/48/54/56/58/64/66/68/74/76/78 - 1 350 41/42/43/44/51/52/53/54/61/62/63/64/71/72/73/74
 1 351 41/42/43/44/51/52/53/54/61/62/63/64/71/72/73/74 - 1 352 21/22/23/24/31/32/33/34/41/42/43/44/51/52/53/54 - 1 353 01/02/03/04/11/12/13/14/61/62/63/64/71/72/73/74 - 1 354 01/02/03/04/11/12/13/14 - 1 355 41/42/43/44/51/52/53/54/61/62/63/64/71/72/73/74 - 1 370 45/46/47/48/49/55/56/57/58/59/65/66/67/68/69/75/76/77/78/79 - 1 371 45/46/47/48/49/55/56/57/58/59/65/66/67/68/69/75/76/77/78/79 - 1 372 25/26/27/28/29/35/36/37/38/39/45/46/47/48/49/55/56/57/58/59 - 1 373 06/08/09/16/18/19/65/66/67/68/69/75/76/77/78/79 - 1 374 05/06/07/08/09/15/16/17/18/19
 1 375 45/46/47/48/49/55/56/57/58/59/65/66/67/68/69/75/76/77/78/79

4. GENERAL CHARACTERISTICS (continued)

4.2.6. 22-module cabinets

| Cat. Nos. | Number of rows | Modules per row | Ø30 mm at the top of the box | Ø30 mm at the bottom of the box | Ø25 mm on the right of the box | Ø25 mm on the left of the box | 40x35 mm at the back of the box | 100x35 mm at the back of the box |
|--|----------------|-----------------|------------------------------|---------------------------------|--------------------------------|-------------------------------|---------------------------------|----------------------------------|
| 1 370 45/55/65/75 - 1 371 45/55/65/75 - 1 372 25/35/45/55 1 373 65/75 - 1 374 05/15 - 1 375 45/55/65/75 | 1 | 22 | 8 | 8 | 4 | 4 | 4 | 4 |

4.3 Materials

- . Cover, base, white door, blanking plate: high-impact polystyrene (PS)
- . Transparent door: Methacrylate Acrylonitrile Butadiene Styrene (MABS)
- . Rail support: Polycarbonate (PC)
- . Screws: steel
- . Rails: galvanised steel
- . Terminal block support: polycarbonate (PC)
- . Injection-moulded caps: Styrene Butadiene Styrene (SBS)
- . Claw for dry partitions: polystyrene (PS)
- . Terminal block: brass

4.4 Accessories supplied with the cabinet

| Cat. Nos. | No. of rows | Modules per row | 5-module blanking plate | Module identification labels | Dry partition claws |
|---|-------------|-----------------|-------------------------|------------------------------|---------------------|
| 1 340 44/54 - 1 341 44/54 - 1 345 44/54 | 1 | 4 | - | - | - |
| 1 340 64/74 - 1 341 64/74 - 1 345 64/74 | | | - | - | 1 |
| 1 340 46/56 - 1 341 46/56 - 1 345 46/56 | 1 | 6 | - | - | - |
| 1 340 66/76 - 1 341 66/76 - 1 345 66/76 | | | - | - | 1 |
| 1 340 48/58 - 1 341 48/58 - 1 343 08 - 1 345 48/58 | 1 | 8 | - | - | - |
| 1 340 68/78 - 1 341 68/78 - 1 343 18 - 1 345 68/78 | | | - | - | 1 |
| 1 350 41/51 - 1 351 41/51 - 1 352 21/31 - 1 355 41/51 | 1 | 12 | - | 1 | - |
| 1 353 01/11/61/71 | | | - | - | - |
| 1 350 61/71 - 1 351 61/71 - 1 352 41/51 - 1 355 61/71 | | | - | 1 | 1 |
| 1 354 01/11 | | | - | - | 1 |
| 1 353 02/12 | 2 | 12 | - | - | - |
| 1 353 62/72 | | | 1 | - | - |
| 1 350 42/52 - 1 351 42/52 - 1 352 22/32 - 1 355 42/52 | | | 1 | 2 | - |
| 1 354 02/12 | | | 1 | - | 1 |
| 1 350 62/72 - 1 351 62/72 - 1 352 42/52 - 1 355 62/72 | 3 | 12 | 1 | 2 | 1 |
| 1 353 03/13 | | | - | - | - |
| 1 353 63/73 | | | 1 | - | - |
| 1 350 43/53 - 1 351 43/53 - 1 352 23/33 - 1 355 43/53 | | | 1 | 3 | - |
| 1 354 03/13 | 4 | 12 | 1 | - | 1 |
| 1 350 63/73 - 1 351 63/73 - 1 352 43/53 - 1 355 63/73 | | | 1 | 3 | 1 |
| 1 353 04/14 | | | - | - | - |
| 1 353 64/74 | | | 1 | - | - |
| 1 350 44/54 - 1 351 44/54 - 1 352 24/34 - 1 355 44/54 | 4 | 12 | 1 | 4 | - |
| 1 354 04/14 | | | 1 | - | 1 |
| 1 350 64/74 - 1 351 64/74 - 1 352 44/54 - 1 355 64/74 | 4 | 12 | 1 | 4 | 1 |

Practibox S flush-mounting cabinets with unprotected terminal blocks on a support

Cat. No(s): 1 340 44/46/48/54/56/58/64/66/68/74/76/78
 1 341 44/46/48/54/56/58/64/66/68/74/76/78 - 1 345 44/46/48/54/56/58/64/66/68/74/76/78 - 1 350 41/42/43/44/51/52/53/54/61/62/63/64/71/72/73/74
 1 351 41/42/43/44/51/52/53/54/61/62/63/64/71/72/73/74 - 1 352 21/22/23/24/31/32/33/34/41/42/43/44/51/52/53/54 - 1 353 01/02/03/04/11/12/13/14/61/62/63/64/71/72/73/74 - 1 354 01/02/03/04/11/12/13/14 - 1 355 41/42/43/44/51/52/53/54/61/62/63/64/71/72/73/74 - 1 370 45/46/47/48/49/55/56/57/58/59/65/66/67/68/69/75/76/77/78/79 - 1 371 45/46/47/48/49/55/56/57/58/59/65/66/67/68/69/75/76/77/78/79 - 1 372 25/26/27/28/29/35/36/37/38/39/45/46/47/48/49/55/56/57/58/59 - 1 373 06/08/09/16/18/19/65/66/67/68/69/75/76/77/78/79 - 1 374 05/06/07/08/09/15/16/17/18/19
 1 375 45/46/47/48/49/55/56/57/58/59/65/66/67/68/69/75/76/77/78/79

4. GENERAL CHARACTERISTICS (continued)

4.4 Accessories supplied with the cabinet (continued)

| Cat. Nos. | No. of rows | Modules per row | 5-module blanking plate | Module identification labels | Dry partition claws |
|---|-------------|-----------------|-------------------------|------------------------------|---------------------|
| 1 373 06/16 | 1 | 18 | - | - | - |
| 1 373 66/76 | | | 1 | - | - |
| 1 370 46/56/1 371 46/56 - 1 372 26/36 - 1 375 46/56 | | | 1 | 1 | - |
| 1 374 06/16 | | | 1 | - | 1 |
| 1 370 66/76 - 1 371 66/76 - 1 372 46/56 - 1 375 66/76 | | | 1 | 1 | 1 |
| 1 373 67/77 | 2 | 18 | 1 | - | - |
| 1 373 07/17 | | | - | - | - |
| 1 370 47/57 - 1 371 47/57 - 1 372 27/37 - 1 375 47/57 | | | 1 | 2 | - |
| 1 374 07/17 | | | 1 | - | 1 |
| 1 370 67/77 - 1 371 67/77 - 1 372 47/57 - 1 375 67/77 | | | 1 | 2 | 1 |
| 1 373 08/18 | 3 | 18 | - | - | - |
| 1 373 68/78 | | | 2 | - | - |
| 1 370 48/58 - 1 372 48/58 - 1 372 28/38 - 1 375 48/58 | | | 2 | 3 | - |
| 1 374 08/18 | | | 2 | - | 1 |
| 1 370 68/78 - 1 371 68/78 - 1 372 48/58 - 1 375 68/78 | | | 2 | 3 | 1 |
| 1 373 09/19 | 4 | 18 | - | - | - |
| 1 373 69/79 | | | 2 | - | - |
| 1 370 49/59 - 1 372 49/59 - 1 372 29/39 - 1 375 49/59 | | | 2 | 4 | - |
| 1 374 09/19 | | | 2 | - | 1 |
| 1 370 69/79 - 1 371 69/79 - 1 372 49/59 - 1 375 69/79 | | | 2 | 4 | 1 |
| 1 373 65/75 | 1 | 22 | 1 | - | - |
| 1 370 45/55 - 1 371 45/55 - 1 372 25/35 - 1 375 45/55 | | | 1 | 1 | - |
| 1 374 05/15 | | | 1 | - | 1 |
| 1 370 65/75 - 1 371 65/75 - 1 372 45/55 - 1 375 65/75 | | | 1 | 1 | 1 |

4.5 Terminal block capacity

4 and 6-module cabinets

| Cat. Nos. | No. of rows | Modules per row | Earth terminal block, screw terminals | | | Neutral terminal block, screw terminals | | |
|---|-------------|-----------------|---------------------------------------|------------------------|------------------------|---|------------------------|------------------------|
| | | | 6-25 mm ² | 1.5-16 mm ² | 1.5-10 mm ² | 6-25 mm ² | 1.5-16 mm ² | 1.5-10 mm ² |
| 1 340 44/54 - 1 341 44/54 - 1 345 44/54 | 1 | 4 | - | 2 | 2 | - | - | - |
| 1 340 64/74 - 1 341 64/74 - 1 345 64/74 | | | - | 2 | 2 | - | 2 | 2 |
| 1 340 46/56 - 1 341 46/56 - 1 345 46/56 | 1 | 6 | - | 2 | 2 | - | - | - |
| 1 340 66/76 - 1 341 66/76 - 1 345 66/76 | | | - | 2 | 2 | - | 2 | 2 |

Practibox S flush-mounting cabinets with unprotected terminal blocks on a support

Cat. No(s): 1 340 44/46/48/54/56/58/64/66/68/74/76/78
 1 341 44/46/48/54/56/58/64/66/68/74/76/78 - 1 345 44/46/48/54/56/58/64/66/68/74/76/78 - 1 350 41/42/43/44/51/52/53/54/61/62/63/64/71/72/73/74
 1 351 41/42/43/44/51/52/53/54/61/62/63/64/71/72/73/74 - 1 352 21/22/23/24/31/32/33/34/41/42/43/44/51/52/53/54 - 1 353 01/02/03/04/11/12/13/14/61/62/63/64/71/72/73/74 - 1 354 01/02/03/04/11/12/13/14 - 1 355 41/42/43/44/51/52/53/54/61/62/63/64/71/72/73/74 - 1 370 45/46/47/48/49/55/56/57/58/59/65/66/67/68/69/75/76/77/78/79 - 1 371 45/46/47/48/49/55/56/57/58/59/65/66/67/68/69/75/76/77/78/79 - 1 372 25/26/27/28/29/35/36/37/38/39/45/46/47/48/49/55/56/57/58/59 - 1 373 06/08/09/16/18/19/65/66/67/68/69/75/76/77/78/79 - 1 374 05/06/07/08/09/15/16/17/18/19
 1 375 45/46/47/48/49/55/56/57/58/59/65/66/67/68/69/75/76/77/78/79

4. GENERAL CHARACTERISTICS (continued)

4.5 Terminal block capacity (continued)

8, 12 and 18-module cabinets

| Cat. Nos. | No. of rows | Modules per row | Earth terminal block, screw terminals | | | Neutral terminal block, screw terminals | | |
|---|-------------|-----------------|---------------------------------------|------------------------|------------------------|---|------------------------|------------------------|
| | | | 6-25 mm ² | 1.5-16 mm ² | 1.5-10 mm ² | 6-25 mm ² | 1.5-16 mm ² | 1.5-10 mm ² |
| 1 340 48/58/68/78 | 1 | 8 | - | 3 | 3 | - | - | - |
| 1 343 08/18 | | | - | - | - | - | 3 | 3 |
| 1 341 48/58/68/78 - 1 345 48/58/68/78 | | | - | 3 | 3 | - | 3 | 3 |
| 1 350 41/51/61/71 | 1 | 12 | - | 5 | 5 | - | - | - |
| 1 353 01/11 | | | - | - | - | - | 5 | 5 |
| 1 351 41/51/61/71 - 1 352 21/31/41/51 1 353 61/71 - 1 354 01/11 1 355 41/51/61/71 | | | - | 5 | 5 | - | 5 | 5 |
| 1 370 46/56/66/76 | | | 1 | 12 | - | - | - | - |
| 1 373 06/16 | 1 | 18 | - | - | - | 1 | 12 | - |
| 1 371 46/56/66/76 - 1 372 26/36/46/56 1 373 66/76 - 1 374 06/16 1 375 46/56/66/76 | | | 1 | 12 | - | 1 | 12 | - |

Cabinets with 12 multi-row modules

| Cat. Nos. | No. of rows | Modules per row | Earth terminal block, screw terminals | | | Neutral terminal block, screw terminals | | |
|--|-------------|-----------------|---------------------------------------|------------------------|------------------------|---|------------------------|------------------------|
| | | | 6-25 mm ² | 1.5-16 mm ² | 1.5-10 mm ² | 6-25 mm ² | 1.5-16 mm ² | 1.5-10 mm ² |
| 1 350 42/52/62/72 | 2 | 12 | - | 8 | 8 | - | - | - |
| 1 353 02/12 | | | - | - | - | - | 2x5 | 2x5 |
| 1 351 42/52/62/72 - 1 355 42/52/62/72 | | | - | 8 | 8 | - | 8 | 8 |
| 1 352 22/32/42/52 | | | - | 9 | 9 | - | 9 | 9 |
| 1 353 62/72 - 1 354 02/12 | | | - | 9 | 9 | - | 2x5 | 2x5 |
| 1 350 43/53/63/73 | 3 | 12 | - | 12 | 12 | - | - | - |
| 1 353 03/13 | | | - | - | - | - | 3x5 | 3x5 |
| 1 351 43/53/63/73 - 1 355 43/53/63/73 | | | - | 12 | 12 | - | 12 | 12 |
| 1 352 23/33/43/53 | | | - | 14 | 14 | - | 14 | 14 |
| 1 353 63/73 - 1 354 03/13 | | | - | 14 | 14 | - | 2x5 | 2x5 |
| 1 350 44/54/64/74 | 4 | 12 | - | 16 | 16 | - | - | - |
| 1 353 04/14 | | | - | - | - | - | 4x5 | 4x5 |
| 1 351 44/54/64/74 - 1 352 24/34/44/54 1 355 44/54/64/74 | | | - | 16 | 16 | - | 16 | 16 |
| 1 353 64/74 - 1 354 04/14 | | | - | 16 | 16 | - | 2x5 | 2x5 |

Practibox S flush-mounting cabinets with unprotected terminal blocks on a support

Cat. No(s): 1 340 44/46/48/54/56/58/64/66/68/74/76/78
 1 341 44/46/48/54/56/58/64/66/68/74/76/78 - 1 345 44/46/48/54/56/58/64/66/68/74/76/78 - 1 350 41/42/43/44/51/52/53/54/61/62/63/64/71/72/73/74
 1 351 41/42/43/44/51/52/53/54/61/62/63/64/71/72/73/74 - 1 352 21/22/23/24/31/32/33/34/41/42/43/44/51/52/53/54 - 1 353 01/02/03/04/11/12/13/14 - 1 355 41/42/43/44/51/52/53/54/61/62/63/64/71/72/73/74 - 1 354 01/02/03/04/11/12/13/14 - 1 355 41/42/43/44/51/52/53/54/61/62/63/64/71/72/73/74 - 1 370 45/46/47/48/49/55/56/57/58/59/65/66/67/68/69/75/76/77/78/79 - 1 371 45/46/47/48/49/55/56/57/58/59/65/66/67/68/69/75/76/77/78/79 - 1 372 25/26/27/28/29/35/36/37/38/39/45/46/47/48/49/55/56/57/58/59 - 1 373 06/08/09/16/18/19/65/66/67/68/69/75/76/77/78/79 - 1 374 05/06/07/08/09/15/16/17/18/19
 1 375 45/46/47/48/49/55/56/57/58/59/65/66/67/68/69/75/76/77/78/79

4. GENERAL CHARACTERISTICS (continued)

4.5 Terminal block capacity (continued)

Cabinets with 18 multi-row modules

| Cat. Nos. | No. of rows | Modules per row | Earth terminal block, screw terminals | | | Neutral terminal block, screw terminals | | |
|--|-------------|-----------------|---------------------------------------|------------------------|------------------------|---|------------------------|------------------------|
| | | | 6-25 mm ² | 1.5-16 mm ² | 1.5-10 mm ² | 6-25 mm ² | 1.5-16 mm ² | 1.5-10 mm ² |
| 1 373 07/17 | 2 | 18 | - | - | - | 2x1 | 2x12 | - |
| 1 370 47/57/67/77 | | | 1 | 21 | - | - | - | - |
| 1 371 47/57/67/77 1 375 47/57/67/77 | | | 1 | 21 | - | 1 | 21 | - |
| 1 373 67/77 - 1 374 07/17 | | | 1 | 26 | - | 2x1 | 2x12 | - |
| 1 372 27/37/47/57 | | | 1 | 26 | - | 1 | 26 | - |
| 1 370 48/58/68/78 | 3 | 18 | 2 | 33 | - | - | - | - |
| 1 371 48/58/68/78 - 1 372 28/38/48/58 1 375 48/58/68/78 | | | 2 | 33 | - | 2 | 33 | - |
| 1 373 68/78 - 1 374 08/18 | | | 2 | 33 | - | 2x1 | 2x12 | - |
| 1 373 08/18 | | | - | - | - | 3x1 | 3x12 | - |
| 1 370 49/59/69/79 | 4 | 18 | 2 | 33 | - | - | - | - |
| 1 373 09/19 | | | - | - | - | 4x1 | 4x12 | - |
| 1 371 49/59/69/79 - 1 372 29/39/49/59 1 375 49/59/69/79 | | | 2 | 33 | - | 2 | 33 | - |
| 1 373 69/79 - 1 374 09/19 | | | 2 | 33 | - | 2x1 | 2x12 | - |

22-module cabinets

| Cat. Nos. | No. of rows | Modules per row | Earth terminal block, screw terminals | | | Neutral terminal block, screw terminals | | |
|---|-------------|-----------------|---------------------------------------|------------------------|------------------------|---|------------------------|------------------------|
| | | | 6-25 mm ² | 1.5-16 mm ² | 1.5-10 mm ² | 6-25 mm ² | 1.5-16 mm ² | 1.5-10 mm ² |
| 1 370 45/55/65/75 | 1 | 22 | 1 | 16 | - | - | - | - |
| 1 371 45/55/65/75 - 1 375 45/55/65/75 1 373 65/75 - 1 374 05/15 1 372 25/35/45/55 | | | 1 | 16 | - | 1 | 16 | - |

Additional terminal blocks (see section 6.4, page 17)

5. COMPLIANCE AND APPROVALS

IEC 60 670-24 Edition 2.0 2011-03

Used to create assemblies conforming to IEC 61 439-3 Edition 1.0 2012-02

IEC 60 695-2-11: 2014-09

RoHS

WEEE

REACH

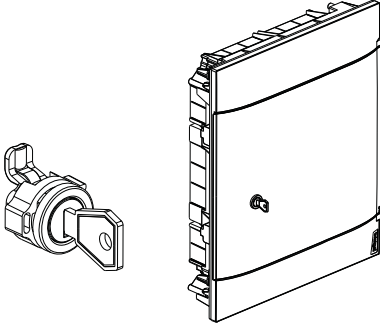
PEP sheet

Practibox S flush-mounting cabinets with unprotected terminal blocks on a support

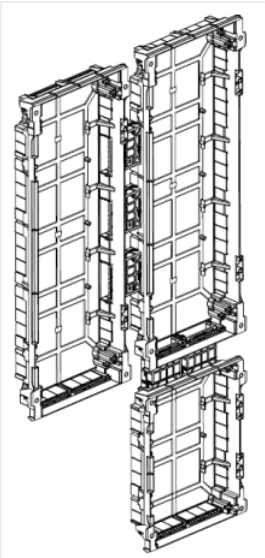
Cat. No(s): 1 340 44/46/48/54/56/58/64/66/68/74/76/78
1 341 44/46/48/54/56/58/64/66/68/74/76/78 - 1 345 44/46/48/54/56/58/64/66/
68/74/76/78 - 1 350 41/42/43/44/51/52/53/54/61/62/63/64/71/72/73/74
1 351 41/42/43/44/51/52/53/54/61/62/63/64/71/72/73/74 - 1 352 21/22/
23/24/31/32/33/34/41/42/43/44/51/52/53/54 - 1 353 01/02/03/04/11/12/
13/14/61/62/63/64/71/72/73/74 - 1 354 01/02/03/04/11/12/13/14 - 1 355 41/
42/43/44/51/52/53/54/61/62/63/64/71/72/73/74 - 1 370 45/46/47/48/49/55/
56/57/58/59/65/66/67/68/69/75/76/77/78/79 - 1 371 45/46/47/48/49/55/56/
57/58/59/65/66/67/68/69/75/76/77/78/79 - 1 372 25/26/27/28/29/35/
36/37/38/39/45/46/47/48/49/55/56/57/58/59 - 1 373 06/08/09/16/18/19/
65/66/67/68/69/75/76/77/78/79 - 1 374 05/06/07/08/09/15/16/17/18/19
1 375 45/46/47/48/49/55/56/57/58/59/65/66/67/68/69/75/76/77/78/79

6. INSTALLATION ADD-ONS

■ 6.1 Key lock No. 850 Cat. No. 1 341 00



■ 6.2 Horizontal and vertical joining kit Cat. No. 1 341 02



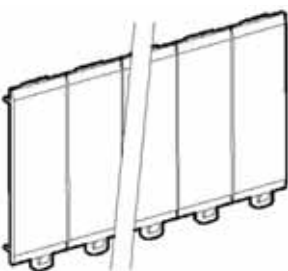
■ 6.3 White RAL 9003 blanking plates

Can be separated for each module or half-module

5 modules: Cat. No. 0 016 60

13 modules: Cat. No. 0 016 62

18 modules: Cat. No. 0 016 64




Practibox S flush-mounting cabinets with unprotected terminal blocks on a support

Cat. No(s): 1 340 44/46/48/54/56/58/64/66/68/74/76/78
 1 341 44/46/48/54/56/58/64/66/68/74/76/78 - 1 345 44/46/48/54/56/58/64/66/68/74/76/78 - 1 350 41/42/43/44/51/52/53/54/61/62/63/64/71/72/73/74
 1 351 41/42/43/44/51/52/53/54/61/62/63/64/71/72/73/74 - 1 352 21/22/23/24/31/32/33/34/41/42/43/44/51/52/53/54 - 1 353 01/02/03/04/11/12/13/14/61/62/63/64/71/72/73/74 - 1 354 01/02/03/04/11/12/13/14 - 1 355 41/42/43/44/51/52/53/54/61/62/63/64/71/72/73/74 - 1 370 45/46/47/48/49/55/56/57/58/59/65/66/67/68/69/75/76/77/78/79 - 1 371 45/46/47/48/49/55/56/57/58/59/65/66/67/68/69/75/76/77/78/79 - 1 372 25/26/27/28/29/35/36/37/38/39/45/46/47/48/49/55/56/57/58/59 - 1 373 06/08/09/16/18/19/65/66/67/68/69/75/76/77/78/79 - 1 374 05/06/07/08/09/15/16/17/18/19
 1 375 45/46/47/48/49/55/56/57/58/59/65/66/67/68/69/75/76/77/78/79

6. INSTALLATION ADD-ONS (continued)

6.4 Additional terminal blocks

Additional terminal blocks can be mounted at the top and bottom of cabinets in the designated areas.

| Cat. Nos. | Size | Terminal block capacity | Supplied equipped with terminal block on support | | | Accessories | | | |
|--|-------|-------------------------|--|-----------------|--------------|--|-----------|--|------------|
| | | | | | | Terminal blocks on a support which can be added | | Unprotected terminal blocks which can be added on existing support | |
| | | | No. | Type | No. of holes |  | Cat. Nos. | Max. no. to be added | Cat. Nos. |
| 1 340 44/54/64/74 | 1x4M | 2 | - | - | - | 1 348 00/10 | 1 | - | - |
| 1 341 44/54/64/74 1 345 44/54/64/74 | | 2 | 1 | Earth | 4 | - | - | - | - |
| | | 2 | 1 | Neutral Earth | 4 | - | - | - | - |
| 1 340 46/56/66/76 | 1x6M | 2 | - | - | - | 1 348 01/11 | 1 | - | - |
| 1 341 46/56/66/76 1 345 46/56/66/76 | | 2 | 1 | Earth | 4 | - | - | 1 348 06 | 1 |
| | | 2 | 1 | Neutral Earth | 4 | 1 348 01/11 | 1 | - | - |
| 1 340 48/58/68/78 | 1x8M | 2 | - | - | - | - | - | - | - |
| 1 343 08/18 | | 2 | 1 | Earth | 6 | 1 348 03/13 | 1 | - | - |
| | | 2 | - | Neutral | 6 | - | - | 1 348 06/07 | 3/1 |
| 1 341 48/58/68/78 1 345 45/58/68/78 | | 2 | 1 | Earth + Neutral | 10 | - | - | 1 348 06/07 | 3/1 |
| | | | - | - | - | 1 348 03/13 | 1 | - | - |
| 1 350 41/51/61/71 | 1x12M | 2 | - | - | 10 + 10 | - | - | 1 348 06 | 1 |
| | | 2 | 1 | Earth | - | 1 348 03/13 | 1 | - | - |
| 1 353 01/11 | | 2 | 1 | Neutral | - | 1 348 03/13 | 1 | - | - |
| | | 2 | - | - | 16 | - | - | 1 348 06 | 2 |
| 1 352 21/31/41/51 | | 2 | 1 | Earth + Neutral | 2x10 | - | - | 1 348 06 | 1 |
| | | | - | - | - | 1 348 03/13 | 1 | - | - |
| 1 351 41/51/61/71 1 353 61/71 1 354 01/11 1 355 41/51/61/71 | | 2 | 1 | Earth + Neutral | 2x16 | - | - | 1 348 06 | 1 |
| | | | - | - | - | 1 348 03/13 | 1 | - | - |
| 1 350 42/52/62/72 | 2x12M | 2 | - | - | - | 1 348 02/12 | 1 | - | - |
| | | 2 | 1 | Earth | 16 | - | - | - | - |
| 1 353 02/12 | | 2 | 1 | Neutral | 2x10 | - | - | - | - |
| | | 2 | - | - | - | 1 348 02/12 | 1 | - | - |
| 1 353 62/72 1 354 02/12 | | 2 | 1 | Neutral Earth | 2x10 18 | - | - | 1 348 06/07 1 348 06/07 | 3/1 3/1 |
| | | 2 | 1 | Neutral Earth | 16 16 | - | - | 1 348 06/07 1 348 06/07 | 2/1 2/1 |
| 1 351 42/52/62/72 1 355 42/52/62/72 | | 2 | 1 | Neutral Earth | 18 18 | - | - | - | - |
| 1 352 22/32/42/52 | | 2 | 1 | Neutral Earth | 18 18 | - | - | - | - |
| 1 350 43/53/63/73 | 3x12M | 2 | - | - | - | 1 348 02/12 | 1 | - | - |
| | | 2 | 1 | Earth | 24 | - | - | 1 348 06/07 | 2/1 |
| 1 353 03/13 | | 2 | 1 | Neutral | 3x10 | - | - | 1 348 06 | 1 |
| | | 2 | - | - | - | 1 348 02 | 1 | - | - |
| 1 353 63/73 1 354 03/13 | | 2 | 1 | Neutral Earth | 2x10 28 | - | - | 1 348 06/07 1 348 06/07 | 3/1 2/1 |
| | | 2 | 1 | Neutral Earth | 24 24 | - | - | 1 348 06/07 1 348 06/07 | 3/1 3/1 |
| 1 351 43/53/63/73 1 355 43/53/63/73 | | 2 | 1 | Neutral Earth | 28 28 | - | - | - | - |
| 1 352 23/33/43/53 | | 2 | 1 | Neutral Earth | 28 28 | - | - | - | - |

Practibox S flush-mounting cabinets with unprotected terminal blocks on a support

Cat. No(s): 1 340 44/46/48/54/56/58/64/66/68/74/76/78
 1 341 44/46/48/54/56/58/64/66/68/74/76/78 - 1 345 44/46/48/54/56/58/64/66/68/74/76/78 - 1 350 41/42/43/44/51/52/53/54/61/62/63/64/71/72/73/74
 1 351 41/42/43/44/51/52/53/54/61/62/63/64/71/72/73/74 - 1 352 21/22/23/24/31/32/33/34/41/42/43/44/51/52/53/54 - 1 353 01/02/03/04/11/12/13/14/61/62/63/64/71/72/73/74 - 1 354 01/02/03/04/11/12/13/14 - 1 355 41/42/43/44/51/52/53/54/61/62/63/64/71/72/73/74 - 1 370 45/46/47/48/49/55/56/57/58/59/65/66/67/68/69/75/76/77/78/79 - 1 371 45/46/47/48/49/55/56/57/58/59/65/66/67/68/69/75/76/77/78/79 - 1 372 25/26/27/28/29/35/36/37/38/39/45/46/47/48/49/55/56/57/58/59 - 1 373 06/08/09/16/18/19/65/66/67/68/69/75/76/77/78/79 - 1 374 05/06/07/08/09/15/16/17/18/19
 1 375 45/46/47/48/49/55/56/57/58/59/65/66/67/68/69/75/76/77/78/79

6. INSTALLATION ADD-ONS (continued)

6.4 Additional terminal blocks (continued)

| Cat. Nos. | Size | Terminal block capacity | Supplied equipped with terminal block on support | | | Accessories | | | |
|--|-------|-------------------------|--|-----------------|--------------|---|----------------------|--|----------------------|
| | | | | | | Terminal blocks on a support which can be added | | Unprotected terminal blocks which can be added on existing support | |
| | | | No. | Type | No. of holes | Cat. Nos. | Max. no. to be added | Cat. Nos. | Max. no. to be added |
| 1 350 44/54/64/74 | 4x12M | 4 | - | - | - | 1 348 02 | 1 | - | - |
| | | | - | - | - | 1 348 02/12 | 1 | - | - |
| | | | - | - | - | 1 348 02 | 1 | - | - |
| | | | 1 | Earth | 32 | - | - | 1 348 06 | 1 |
| 1 353 04/14 | 4 | 1 | Neutral | 2x10 | - | - | 1 348 06/07 | 3/1 | |
| | | 1 | Neutral | 2x10 | - | - | 1 348 06/07 | 3/1 | |
| | | - | - | - | 1 348 02 | 1 | - | - | |
| 1 353 64/74 1 354 04/14 | 4x12M | 4 | - | - | - | 1 348 02 | 1 | - | - |
| | | | 1 | Neutral | 2x10 | - | - | 1 348 06/07 | 3/1 |
| | | | 1 | Neutral | 2x10 | - | - | 1 348 06/07 | 3/1 |
| | | | 1 | Earth | 32 | - | - | 1 348 06 | 1 |
| 1 351 44/54/64/74 1 355 44/54/64/74 | 4x12M | 4 | 1 | Neutral | 32 | - | - | 1 348 06 | 1 |
| | | | - | - | - | 1 348 02/12 | 1 | - | - |
| | | | - | - | - | 1 348 02 | 1 | - | - |
| | | | 1 | Earth | 32 | - | - | 1 348 06 | 1 |
| 1 352 24/34/44/54 | 4x12M | 4 | 1 | Neutral | 32 | - | - | - | - |
| | | | - | - | - | - | - | - | - |
| | | | - | - | - | - | - | - | - |
| | | | 1 | Earth | 32 | - | - | - | - |
| 1 370 46/56/66/76 | 1x18M | 2 | - | - | - | 1 348 04/14 | 1 | - | - |
| | | | 1 | Earth | 13 | - | - | - | - |
| | | | 1 | Neutral | 13 | - | - | 1 348 04/14 | 1 |
| 1 373 06/16 | 1x18M | 2 | 1 | Neutral | 13 | - | - | - | - |
| | | | - | - | - | 1 348 04/14 | 1 | - | - |
| | | | 1 | Earth + Neutral | 13 + 13 | - | - | - | - |
| | | | - | - | - | 1 348 04/14 | 1 | - | - |
| 1 370 47/57/67/77 | 2x18M | 2 | - | - | - | 1 348 05 | 1 | - | - |
| | | | 1 | Earth | 22 | - | - | - | - |
| 1 373 07/17 | 2x18M | 2 | 1 | Neutral | 2x13 | - | - | - | - |
| | | | - | - | - | 1 348 05 | 1 | - | - |
| 1 371 47/57/67/77 1 375 47/57/67/77 | 2x18M | 2 | 1 | Earth + Neutral | 22 + 22 | - | - | - | - |
| | | | - | - | - | 1 348 05 | 1 | - | - |
| 1 372 27/37/47/57 | 2x18M | 2 | 1 | Neutral | 27 | - | - | - | - |
| | | | 1 | Earth | 27 | - | - | - | - |
| 1 373 67/77 1 374 07/17 | 2x18M | 2 | 1 | Neutral | 2x13 | - | - | - | - |
| | | | 1 | Earth | 27 | - | - | - | - |

Practibox S flush-mounting cabinets with unprotected terminal blocks on a support

Cat. No(s): 1 340 44/46/48/54/56/58/64/66/68/74/76/78
 1 341 44/46/48/54/56/58/64/66/68/74/76/78 - 1 345 44/46/48/54/56/58/64/66/68/74/76/78 - 1 350 41/42/43/44/51/52/53/54/61/62/63/64/71/72/73/74
 1 351 41/42/43/44/51/52/53/54/61/62/63/64/71/72/73/74 - 1 352 21/22/23/24/31/32/33/34/41/42/43/44/51/52/53/54 - 1 353 01/02/03/04/11/12/13/14/61/62/63/64/71/72/73/74 - 1 354 01/02/03/04/11/12/13/14 - 1 355 41/42/43/44/51/52/53/54/61/62/63/64/71/72/73/74 - 1 370 45/46/47/48/49/55/56/57/58/59/65/66/67/68/69/75/76/77/78/79 - 1 371 45/46/47/48/49/55/56/57/58/59/65/66/67/68/69/75/76/77/78/79 - 1 372 25/26/27/28/29/35/36/37/38/39/45/46/47/48/49/55/56/57/58/59 - 1 373 06/08/09/16/18/19/65/66/67/68/69/75/76/77/78/79 - 1 374 05/06/07/08/09/15/16/17/18/19
 1 375 45/46/47/48/49/55/56/57/58/59/65/66/67/68/69/75/76/77/78/79

6. INSTALLATION ADD-ONS (continued)

6.4 Additional terminal blocks (continued)

| Cat. Nos. | Size | Terminal block capacity | Supplied equipped with terminal block on support | | | Accessories | | | |
|---|-------|-------------------------|--|---------|--------------|---|----------------------|--|----------------------|
| | | | | | | Terminal blocks on a support which can be added | | Unprotected terminal blocks which can be added on existing support | |
| | | | No. | Type | No. of holes | Cat. Nos. | Max. no. to be added | Cat. Nos. | Max. no. to be added |
| 1 370 48/58/68/78 | 3x18M | 4 | - | - | - | 1 348 05/15 | 1 | | |
| | | | - | - | - | 1 348 05 | 1 | | |
| | | | - | - | - | 1 348 05 | 1 | | |
| | | | 1 | Earth | 35 | - | - | | |
| 1 373 08/18 | | 4 | 1 | Neutral | 2x13 | - | - | | |
| | | | 1 | Neutral | 13 | - | - | | |
| | | | - | - | - | 1 348 05/15 | 1 | | |
| | | | - | - | - | 1 348 05 | 1 | | |
| 1 371 48/58/68/78 1 372 28/38/48/58 1 375 48/58/68/78 | 4 | 1 | Neutral | 35 | - | - | | | |
| | | - | - | - | 1 348 05/15 | 1 | | | |
| | | - | - | - | 1 348 05 | 1 | | | |
| | | 1 | Earth | 35 | - | - | | | |
| 1 373 68/78 1 374 08/18 | 4 | 1 | Neutral | 2x13 | - | - | | | |
| | | - | - | - | 1 348 05 | 1 | | | |
| | | - | Earth | 35 | - | - | | | |
| | | - | - | - | 1 348 05 | 1 | | | |
| 1 370 49/59/69/79 | 4x18M | 4 | - | - | - | 1 348 05/15 | 1 | | |
| | | | - | - | - | 1 348 05 | 1 | | |
| | | | - | - | - | 1 348 05 | 1 | | |
| | | | 1 | Earth | 35 | - | - | | |
| 1 373 09/19 | | 4 | 1 | Neutral | 2x13 | - | - | | |
| | | | 1 | Neutral | 2x13 | - | - | | |
| | | | - | - | - | 1 348 05/15 | 1 | | |
| | | | - | - | - | 1 348 05 | 1 | | |
| 1 371 49/59/69/79 1 372 29/39/49/59 1 375 49/59/69/79 | 4 | 1 | Neutral | 35 | - | - | | | |
| | | - | - | - | 1 348 05/15 | 1 | | | |
| | | - | - | - | 1 348 05 | 1 | | | |
| | | 1 | Earth | 35 | - | - | | | |
| 1 373 69/79 1 374 09/19 | 4 | 1 | Neutral | 2x13 | - | - | | | |
| | | - | - | - | 1 348 05/15 | 1 | | | |
| | | - | - | - | 1 348 05 | 1 | | | |
| | | 1 | Earth | 35 | - | - | | | |
| 1 370 45/55/65/75 | 1x22M | 2 | - | - | - | 1 348 16 | 1 | | |
| | | 1 | Earth | 17 | - | - | | | |
| 1 371 45/55/65/75 1 372 25/35/45/55 1 373 65/75 1 374 05/15 1 375 45/55/65/75 | 2 | 1 | Neutral + Earth | 17 + 17 | - | - | | | |
| | | - | - | - | 1 348 16 | 1 | | | |