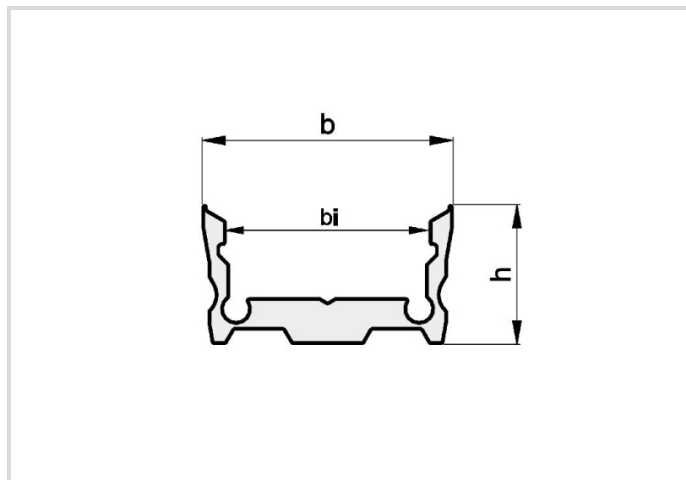
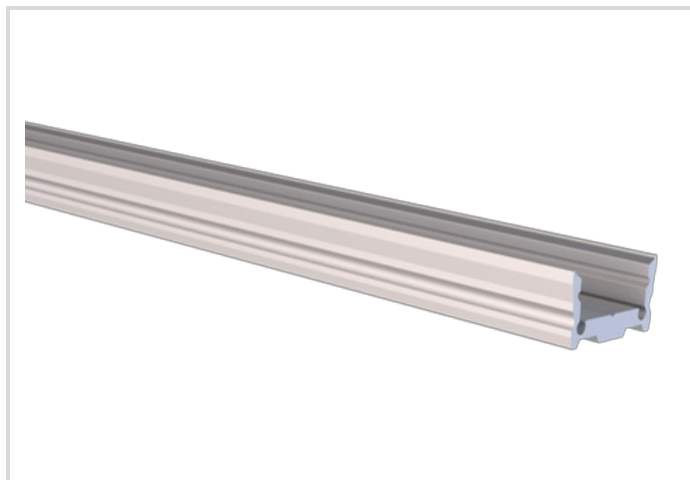


# Surface-mount aluminium profile for 1 LED-strip, flaches U- Profil SMALL

Länge 2m

# Radium

Product Datasheet Date: 26.05.2021



## General Data

Article No.	TRPA2512
Code	PROFILE SMALL U FLAT 17.3/9.6/B1C1 2M
Product EAN	4003556008014
Customs tariff no.	94059900
Box quantity (pcs.)	10
EAN Box	4003556408012
Gross weight of box in kg	3.11
Length of box in m	2.11
Width of box in m	0.07
Height of box in m	0.53
ETIM class	EC002707
ETIM class name	Accessories for light ribbon-/hose/-strip
Product status	● Active

## Specification

Length max.	2010 mm
Length	2 m
Height	9,6 mm
Width	17,3 mm
Internal width	13,5 mm
Material	Aluminium
no. of LED stripes in profile	1
Product shape	U profile flat

# Surface-mount aluminium profile for 1 LED-strip, flaches U- Profil SMALL

**Radium**

Länge 2m

## Notes on Operation

---

Mounting type

Surface mounted

---

## Notes

High quality, anodized aluminum profile for optimal cooling despite the flat design. Offers versatile mounting options, protection of the LED strip.

Please, refer to [www.radium.de/recycling](http://www.radium.de/recycling) for notes on disposal of burned-out lamps as well as lamp breakage.

The "lifespan L70" described for LED lamps indicates the number of hours when the luminous flux has decreased to 70% of its initial value.

The optimal field 'info about service life' contains the frame conditions according to standards based on which the specific service life has been determined. So, for example, "12B50, 50Hz" means that the mean service life (B50) has been determined with a 12h switching cycle at mains (frequency 50Hz), "3B50, HF" is based on a 3h switching cycle at electronic control gear (high frequency).

### General notes

The technical design data in accordance with DIN and IEC. The producer does not take any responsibility for damage to persons or property in case of unsuitable operation or handling of the product. Operating data and dimensions are valid within the usual tolerances. Related lamp types (different bases, mains voltages) may be available on request. Sale and delivery are effected in accordance with the Radium Terms of Delivery and Payment valid on the day of conclusion of contract. Packing units offer economical advantages to the purchase and logistic department. Please match your quantity volume accordingly. For orders of a minimum quantity (clefts) with a lamp model the amount lower than the volume of each packaging unit, we will invoice 10 % additional charge per lamp type. Technical changes and terms of delivery are reserved. Manipulation of any kind to packaging or product is not permissible as this will violate Radium brand rights. Furthermore, technical properties of the product can change to its disadvantage or even destruction. Therefore, Radium cannot be responsible for consequential damages.

® = Registered trademark

Subject to change without notice. Errors and omissions excepted.

All technical data without guarantee.