



Ding

Instruções de montagem  
3D File  
Dados fotométricos  
Revit

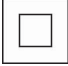




## DE-0271-NEG

Candeeiro de mesa IP20 Ding LED 4.8W 3000K Preto 326lm

### CARACTERÍSTICAS TÉCNICAS



IP20    360°

Potência (W) : 4.8W

Consumo total da luminária (W) : 6.6W

Lúmenes reais : 326

Lm/W reais : 49

Temperatura da cor : Branco quente - 3000K

Ângulo Óticas / Refletor : FLOOD 79°

Material da estrutura : Alumínio, Policarbonato

Acabamento estrutura : Preto

Material do difusor : Policarbonato

Acabamento difusor : Opala

Vida útil : 36.000h L70B30

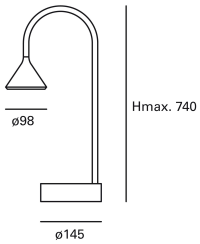
Equipamento incluído : Sim, eletrônico

Tensão / Frequência : 100-240V/50-60Hz

Garantia : 5 Anos

Temperatura máx. : 25°C

Eficiência energética : LED A++



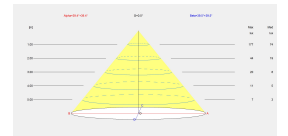
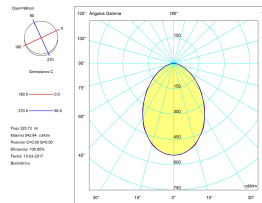
### CARACTERÍSTICAS LUMINOTÉCNICAS

Fonte de luz: LED

CRI: 80

MacAdam steps: 3

Risco fotobiológico: RG0



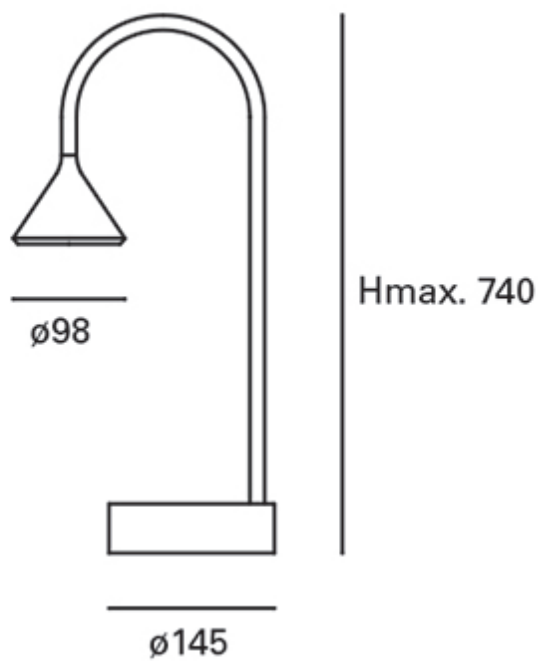
### LOGÍSTICA

Peso líquido (kg): 1.45

Peso embalado (kg): 1.77

Embalagem: 150mm x 150mm x 430mm

 6 Un



**Luminaire**

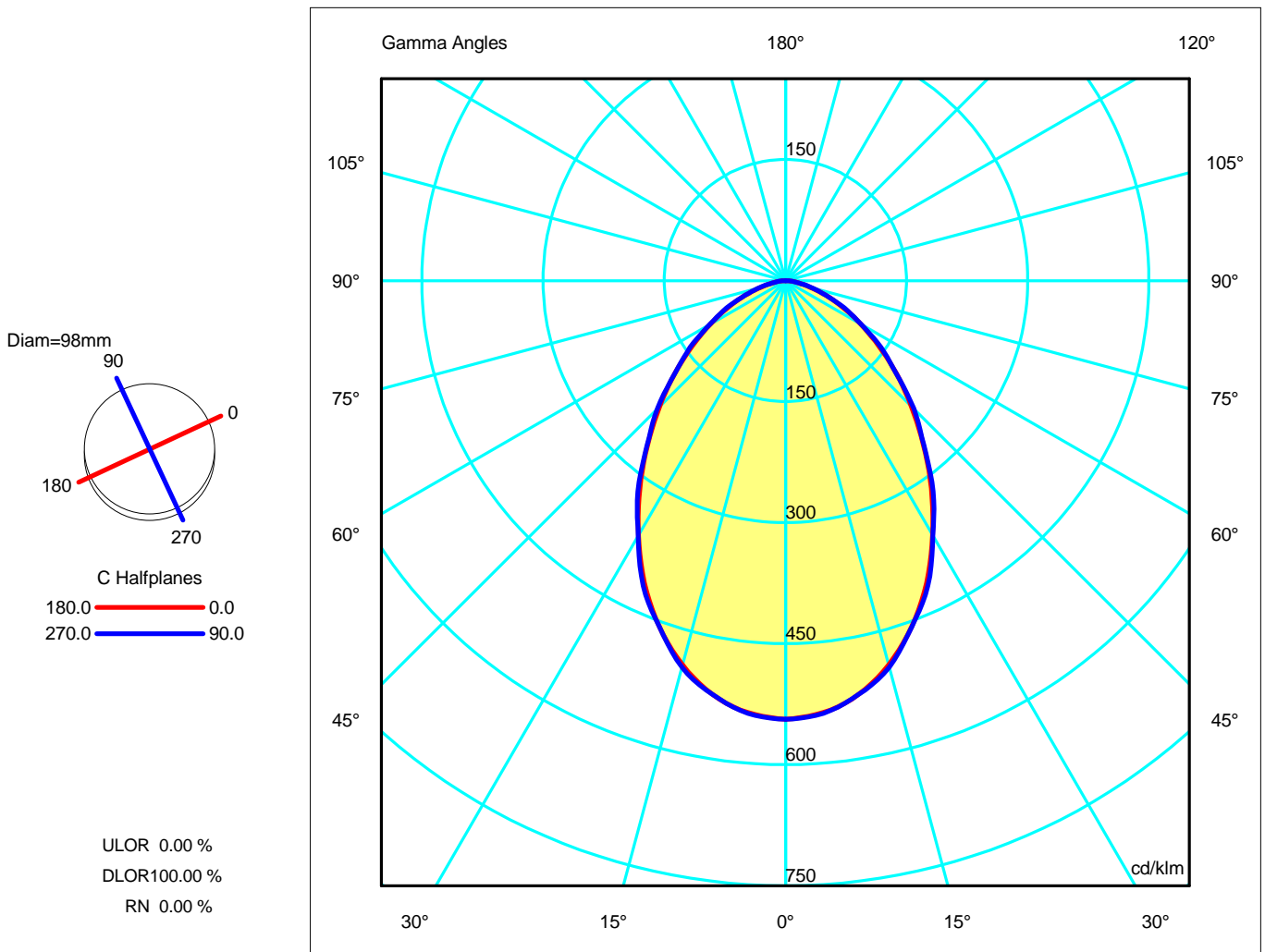
Code DE-0271-NEG  
Name Sobremesa led 7W 3000K

**Measur.**

Code CL116A17F083G  
Name Sobremesa led 7W 3000K

Luminaire Flux	325.73 lm	Luminaire Power	6.13 W	Efficacy	53.14 lm/W	Efficiency	100.00%
Lamps Flux	325.73 lm	Maximum value	543.64 cd/klm	Position	C=0.00 G=0.00	CG	Double Symmetrical
Round Luminaire Round Luminous Area		Diam. Diam.	98 mm 74 mm	Height Height	80 mm 0 mm		
Horizontal Luminous Area Emitting area on Plane 0° Emitting area on Plane 90°		0.004301 m2 0.000000 m2 0.000000 m2		Emitting area on Plane 180° Emitting area on Plane 270° Glare area at 76°		0.000000 m2 0.000000 m2 0.001040 m2	
Coordinate system Date Measurement Distance		CG 15-03-2017 0.00		Symmetry Type Maximum Gamma Angle Measurement Flux		Double Symmetrical 90 325.73 lm	
Operator Temperature Humidity Notes		Asselum T2 25.00 °C 60.00 %		Source Voltage [V] Source current [A] Photocell			

Line		Code	Luminaire Lamps	Flux [lm]	Pow. [W]	Q.ty
		DE-0271-NEG	Name DE-0271-NEG	325.73	6.13	1
C.I.E.	60 88 98 100 100		D DIN 5040	A40		
F UTE	1.00 D		B NBN	BZ 3		





**Luminaire**

Code DE-0271-NEG  
Name Sobremesa led 7W 3000K

**Measur.**

Code CL116A17F083G  
Name Sobremesa led 7W 3000K

Luminaire Flux	325.73 lm	Luminaire Power	6.13 W	Efficacy	53.14 lm/W	Efficiency	100.00%
Lamps Flux	325.73 lm	Maximum value	543.64 cd/klm	Position	C=0.00 G=0.00	CG	Double Symmetrical

**Luminous Intensity Table cd/klm Table 1/1**

	C 0.00	C 15.00	C 30.00	C 45.00	C 60.00	C 75.00	C 90.00
G 0.0	543.64	543.64	543.64	543.64	543.64	543.64	543.64
G 5.0	537.31	537.14	536.87	537.78	537.55	536.98	538.20
G 10.0	520.83	520.40	520.22	520.73	520.36	520.41	520.81
G 15.0	492.90	492.40	492.65	493.16	493.66	492.28	495.96
G 20.0	456.51	455.92	455.95	456.81	456.53	456.15	456.61
G 25.0	413.08	412.93	412.87	413.03	414.79	412.67	417.17
G 30.0	364.26	364.73	364.56	365.37	364.80	365.10	364.88
G 35.0	314.54	316.41	314.20	315.25	317.59	315.61	318.75
G 40.0	265.73	267.91	265.90	266.85	267.15	269.31	266.50
G 45.0	220.13	221.60	219.64	220.97	221.64	220.99	224.49
G 50.0	179.01	180.02	178.29	178.58	180.21	182.25	178.60
G 55.0	140.72	142.44	140.70	142.13	142.59	141.42	144.19
G 60.0	107.13	108.91	107.36	108.32	108.15	110.74	107.66
G 65.0	78.41	79.77	79.26	79.89	79.58	78.95	80.61
G 70.0	53.29	54.30	53.08	54.14	54.48	55.63	53.32
G 75.0	31.40	32.43	32.37	32.71	32.28	32.04	33.25
G 80.0	17.17	17.17	16.71	17.28	17.03	17.96	16.43
G 85.0	6.92	7.23	7.44	7.31	7.23	6.97	7.70
G 90.0	1.01	1.09	1.10	1.11	1.05	1.03	1.01

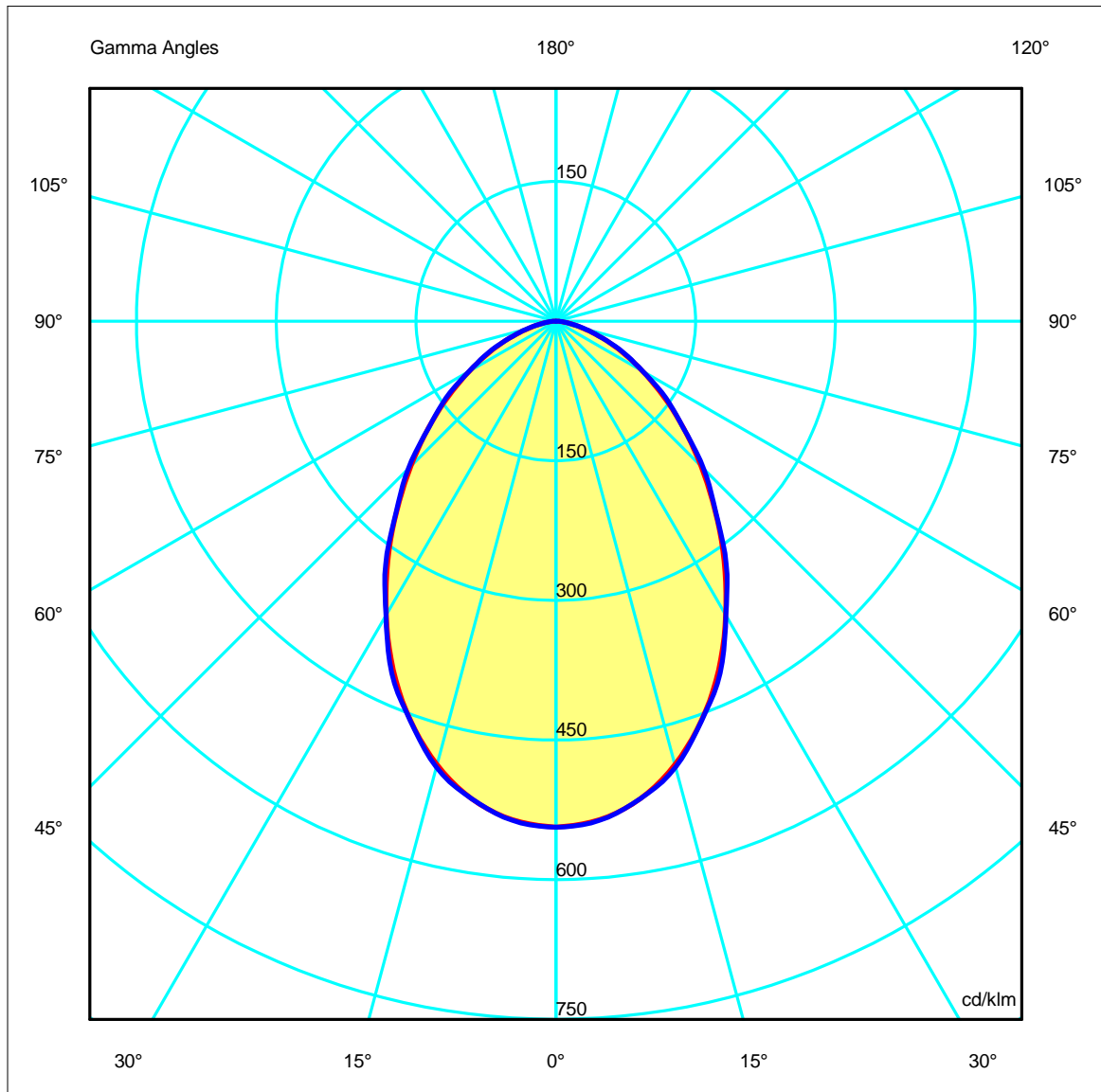
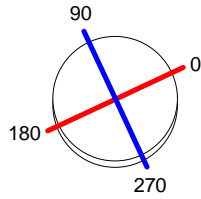
**Luminaire**  
 Code DE-0271-NEG  
 Name Sobremesa led 7W 3000K  
**Measurment.**  
 Code CL116A17F083G  
 Name Sobremesa led 7W 3000K

Luminaire Flux	325.73 lm	Luminaire Power	6.13 W	Efficacy	53.14 lm/W	Efficiency	100.00%
Lamps Flux	325.73 lm	Maximum value	543.64 cd/klm	Position	C=0.00 G=0.00	CG	Double Symmetrical

Diam=98mm

C Halfplanes

180.0 ————— 0.0  
 270.0 ————— 90.0



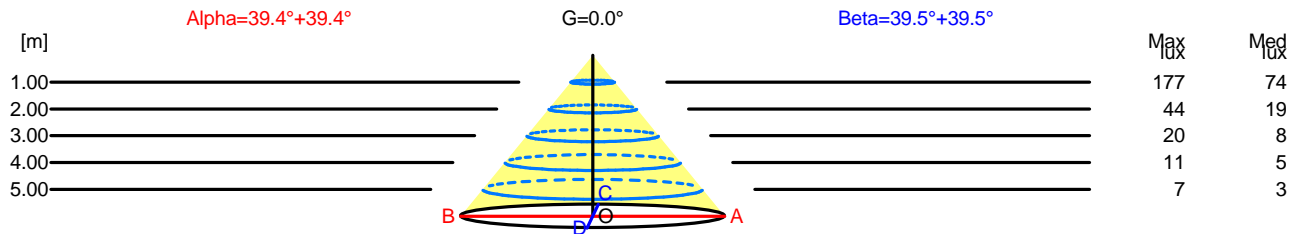
**Luminaire**  
 Code DE-0271-NEG  
 Name Sobremesa led 7W 3000K  
**Measurement**  
 Code CL116A17F083G  
 Name Sobremesa led 7W 3000K

Luminaire Flux	325.73 lm	Luminaire Power	6.13 W	Efficacy	53.14 lm/W	Efficiency	100.00%
Lamps Flux	325.73 lm	Maximum value	543.64 cd/klm	Position	C=0.00 G=0.00	CG	Double Symmetrical

Width at 50.00 % of Max Intensity

H[m]	1.00	2.00	3.00	4.00	5.00	H[m]	1.00	2.00	3.00	4.00	5.00
OA	0.82	1.64	2.46	3.28	4.10	OC	0.82	1.65	2.47	3.29	4.12
OB	0.82	1.64	2.46	3.28	4.10	OD	0.82	1.65	2.47	3.29	4.12

	Luminous Intensities [ cd/klm]									
	0	5	15	25	35	45	55	65	75	85
OA	177.08	175.02	160.55	134.55	102.46	71.70	45.84	25.54	10.23	2.25
OB	177.08	175.02	160.55	134.55	102.46	71.70	45.84	25.54	10.23	2.25
OC	177.08	175.31	161.55	135.88	103.83	73.12	46.97	26.26	10.83	2.51
OD	177.08	175.31	161.55	135.88	103.83	73.12	46.97	26.26	10.83	2.51



H[m]	D[m]	Max lux	Med lux	Alpha=39.4°+39.4°	G=0.0	
1.00	1.64	177	74			
2.00	3.28	44	19			
3.00	4.92	20	8			
4.00	6.56	11	5			
5.00	8.20	7	3			

H[m]	D[m]	Max lux	Med lux	Beta=39.5°+39.5°	G=0.0	
1.00	1.65	177	74			
2.00	3.29	44	19			
3.00	4.94	20	8			
4.00	6.59	11	5			
5.00	8.23	7	3			

**Luminaire**

 Code DE-0271-NEG  
 Name Sobremesa led 7W 3000K

**Measurement**

 Code CL116A17F083G  
 Name Sobremesa led 7W 3000K

Luminaire Flux	325.73 lm	Luminaire Power	6.13 W	Efficacy	53.14 lm/W	Efficiency	100.00%
Lamps Flux	325.73 lm	Maximum value	543.64 cd/klm	Position	C=0.00 G=0.00	CG	Double Symmetrical

**UGR**  
S = 0.250

Reflectancies										
Ceiling/Cavity	0.7	0.7	0.5	0.5	0.3	0.7	0.7	0.5	0.5	0.3
Walls	0.5	0.3	0.5	0.3	0.3	0.5	0.3	0.5	0.3	0.3
WorkingPlane	0.2	0.2	0.2	0.2	0.2	0.2	0.2	0.2	0.2	0.2
RoomDimensions	ViewedCrosswise					ViewedEndwise				
x=2H y=2H	22.0	23.1	22.3	23.3	23.6	22.0	23.2	22.3	23.4	23.6
x=2H y=3H	22.9	24.0	23.2	24.2	24.5	23.0	24.0	23.3	24.3	24.5
x=2H y=4H	23.2	24.2	23.5	24.5	24.8	23.3	24.3	23.6	24.5	24.8
x=2H y=6H	23.4	24.3	23.7	24.6	24.9	23.5	24.4	23.8	24.6	24.9
x=2H y=8H	23.4	24.3	23.8	24.6	25.0	23.5	24.3	23.8	24.6	25.0
x=2H y=12H	23.5	24.3	23.8	24.6	25.0	23.5	24.3	23.9	24.7	25.0
x=4H y=2H	22.5	23.5	22.8	23.7	24.1	22.5	23.5	22.9	23.8	24.1
x=4H y=3H	23.6	24.4	24.0	24.7	25.1	23.6	24.5	24.0	24.8	25.1
x=4H y=4H	24.0	24.7	24.4	25.0	25.4	24.0	24.7	24.4	25.1	25.4
x=4H y=6H	24.2	24.9	24.7	25.2	25.7	24.3	24.9	24.7	25.3	25.7
x=4H y=8H	24.3	24.9	24.7	25.3	25.7	24.4	24.9	24.8	25.3	25.7
x=4H y=12H	24.4	24.9	24.8	25.3	25.8	24.4	24.9	24.9	25.3	25.8
x=8H y=4H	24.1	24.7	24.6	25.1	25.6	24.2	24.8	24.6	25.1	25.6
x=8H y=6H	24.5	24.9	24.9	25.4	25.9	24.5	25.0	25.0	25.4	25.9
x=8H y=8H	24.6	25.0	25.1	25.4	26.0	24.7	25.1	25.1	25.5	26.0
x=8H y=12H	24.7	25.0	25.2	25.5	26.1	24.7	25.1	25.2	25.6	26.1
x=12H y=4H	24.1	24.7	24.6	25.1	25.5	24.2	24.7	24.6	25.1	25.5
x=12H y=6H	24.5	24.9	25.0	25.3	25.9	24.5	24.9	25.0	25.4	25.9
x=12H y=8H	24.6	25.0	25.1	25.4	26.0	24.7	25.0	25.2	25.5	26.0

**Luminaire**

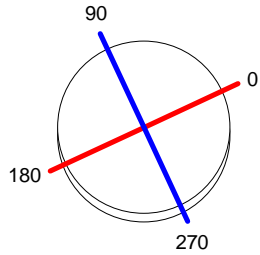
Code DE-0271-NEG  
 Name Sobremesa led 7W 3000K

**Measur.**

Code CL116A17F083G  
 Name Sobremesa led 7W 3000K

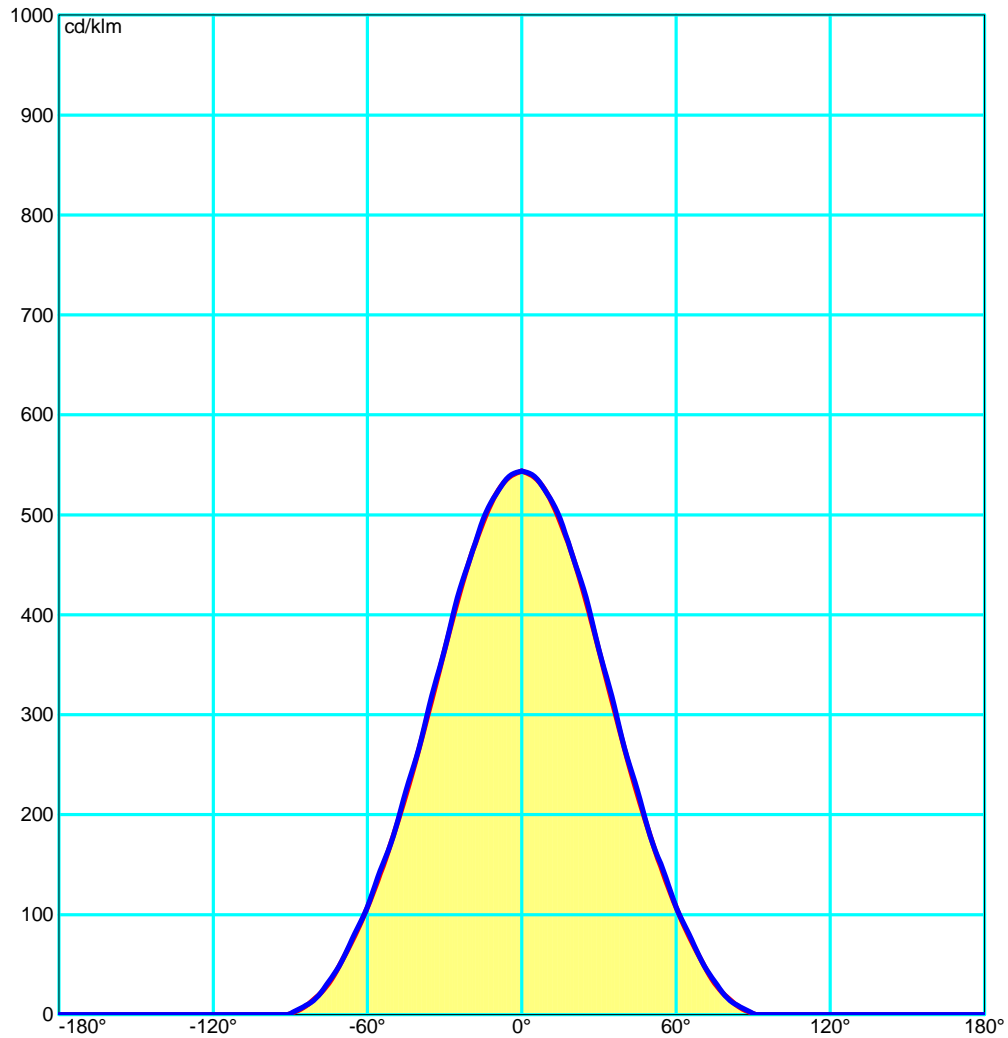
Luminaire Flux	325.73 lm	Luminaire Power	6.13 W	Efficacy	53.14 lm/W	Efficiency	100.00%
Lamps Flux	325.73 lm	Maximum value	543.64 cd/klm	Position	C=0.00 G=0.00	CG	Double Symmetrical

Diam=98mm



C Halfplanes

180.0 ———— 0.0  
 270.0 ———— 90.0

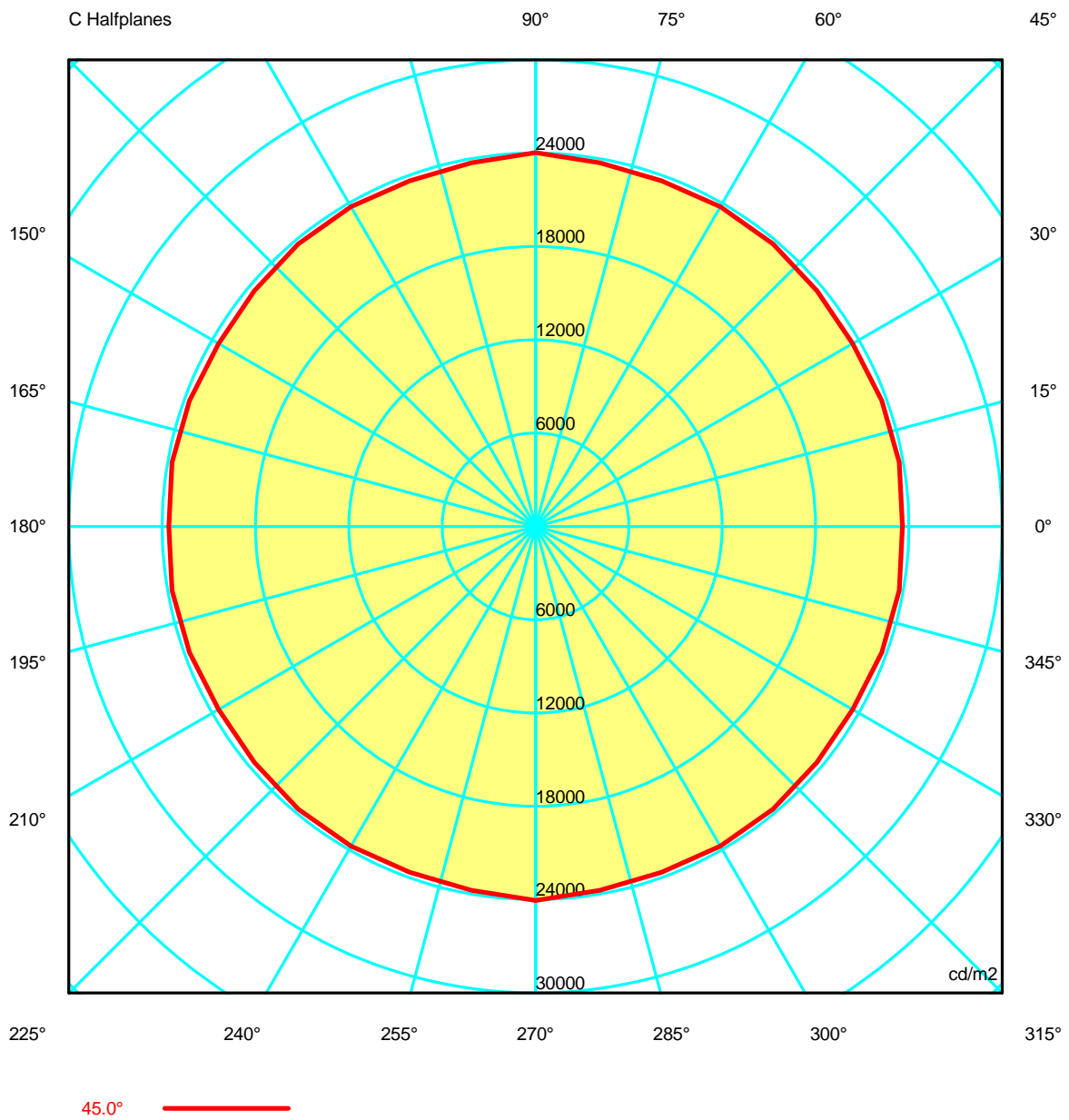




**Luminaire**  
 Code DE-0271-NEG  
 Name Sobremesa led 7W 3000K  
**Measur.**  
 Code CL116A17F083G  
 Name Sobremesa led 7W 3000K

Luminaire Flux	325.73 lm	Luminaire Power	6.13 W	Efficacy	53.14 lm/W	Efficiency	100.00%
Lamps Flux	325.73 lm	Maximum value	543.64 cd/klm	Position	C=0.00 G=0.00	CG	Double Symmetrical

Luminance





**Luminaire**

Code DE-0271-NEG  
Name Sobremesa led 7W 3000K

**Measurerm.**

Code CL116A17F083G  
Name Sobremesa led 7W 3000K

Luminaire Flux	325.73 lm	Luminaire Power	6.13 W	Efficacy	53.14 lm/W	Efficiency	100.00%
Lamps Flux	325.73 lm	Maximum value	543.64 cd/klm	Position	C=0.00 G=0.00	CG	Double Symmetrical

**Luminance cd/m2 Table 1/3**

	C 0.00	C 10.00	C 20.00	C 30.00	C 40.00	C 50.00	C 60.00	C 70.00	C 80.00	C 90.00	C 100.00	C 110.00	C 120.00
G 0.0	41173.31	41173.31	41173.31	41173.31	41173.31	41173.31	41173.31	41173.31	41173.31	41173.31	41173.31	41173.31	41173.31
G 5.0	40849.03	40844.29	40824.02	40816.24	40862.88	40892.09	40867.89	40827.83	40841.54	40916.99	40841.54	40827.83	40867.89
G 10.0	40054.60	40031.96	40010.67	40007.68	40037.00	40042.11	40018.05	40015.53	40031.02	40052.55	40031.02	40015.53	40018.05
G 15.0	38647.06	38615.19	38609.69	38627.51	38648.31	38694.83	38707.12	38612.57	38651.71	38887.52	38651.71	38612.57	38707.12
G 20.0	36793.46	36758.89	36737.32	36748.22	36798.24	36820.06	36794.97	36768.14	36770.43	36801.08	36770.43	36768.14	36794.97
G 25.0	34519.27	34508.97	34507.37	34501.47	34488.29	34579.65	34661.92	34521.69	34545.87	34861.08	34545.87	34521.69	34661.92
G 30.0	31855.13	31892.07	31889.15	31881.94	31935.84	31943.58	31902.40	31916.92	31930.42	31910.10	31930.42	31916.92	31902.40
G 35.0	29081.60	29240.55	29202.06	29049.75	29070.49	29247.09	29363.13	29228.23	29219.79	29470.64	29219.79	29228.23	29363.13
G 40.0	26272.20	26465.14	26433.83	26289.10	26341.63	26389.33	26411.77	26579.62	26588.59	26348.25	26588.59	26579.62	26411.77
G 45.0	23577.36	23728.60	23673.42	23525.39	23595.28	23721.64	23739.32	23663.55	23748.18	24044.77	23748.18	23663.55	23739.32
G 50.0	21091.39	21209.21	21155.97	21006.67	21003.24	21086.77	21232.66	21443.47	21397.24	21043.58	21397.24	21443.47	21232.66
G 55.0	18581.36	18789.58	18742.29	18578.31	18677.49	18830.18	18828.07	18692.88	18740.10	19039.19	18740.10	18692.88	18828.07
G 60.0	16228.03	16470.53	16430.67	16261.75	16359.39	16399.19	16381.24	16681.28	16717.66	16306.97	16717.66	16681.28	16381.24
G 65.0	14052.02	14253.33	14276.27	14203.43	14274.04	14328.46	14260.86	14153.61	14207.65	14446.28	14207.65	14153.61	14260.86
G 70.0	11801.46	12013.27	11938.79	11754.99	11896.79	12019.65	12063.56	12277.66	12231.00	11806.64	12231.00	12277.66	12063.56
G 75.0	9188.02	9424.74	9498.63	9473.59	9546.45	9557.22	9447.14	9357.89	9453.50	9728.80	9453.50	9357.89	9447.14
G 80.0	7488.81	7526.14	7422.51	7287.05	7472.45	7498.36	7429.52	7743.90	7733.99	7167.76	7733.99	7743.90	7429.52
G 85.0	6013.58	6193.29	6369.39	6464.07	6394.52	6339.94	6278.63	6074.40	6179.91	6694.69	6179.91	6074.40	6278.63
G 90.0	0.00	0.00	0.00	0.00	0.00	0.00	0.00	0.00	0.00	0.00	0.00	0.00	0.00



**Luminaire**

Code DE-0271-NEG  
Name Sobremesa led 7W 3000K

**Measurerm.**

Code CL116A17F083G  
Name Sobremesa led 7W 3000K

Luminaire Flux	325.73 lm	Luminaire Power	6.13 W	Efficacy	53.14 lm/W	Efficiency	100.00%
Lamps Flux	325.73 lm	Maximum value	543.64 cd/klm	Position	C=0.00 G=0.00	CG	Double Symmetrical

**Luminance cd/m2 Table 2/3**

	C 130.00	C 140.00	C 150.00	C 160.00	C 170.00	C 180.00	C 190.00	C 200.00	C 210.00	C 220.00	C 230.00	C 240.00	C 250.00
G 0.0	41173.31	41173.31	41173.31	41173.31	41173.31	41173.31	41173.31	41173.31	41173.31	41173.31	41173.31	41173.31	41173.31
G 5.0	40892.09	40862.88	40816.24	40824.02	40844.29	40849.03	40844.29	40824.02	40816.24	40862.88	40892.09	40867.89	40827.83
G 10.0	40042.11	40037.00	40007.68	40010.67	40031.96	40054.60	40031.96	40010.67	40007.68	40037.00	40042.11	40018.05	40015.53
G 15.0	38694.83	38648.31	38627.51	38609.69	38615.19	38647.06	38615.19	38609.69	38627.51	38648.31	38694.83	38707.12	38612.57
G 20.0	36820.06	36798.24	36748.22	36737.32	36758.89	36793.46	36758.89	36737.32	36748.22	36798.24	36820.06	36794.97	36768.14
G 25.0	34579.65	34488.29	34501.47	34507.37	34508.97	34519.27	34508.97	34507.37	34501.47	34488.29	34579.65	34661.92	34521.69
G 30.0	31943.58	31935.84	31881.94	31889.15	31892.07	31855.13	31892.07	31889.15	31881.94	31935.84	31943.58	31902.40	31916.92
G 35.0	29247.09	29070.49	29049.75	29202.06	29240.55	29081.60	29240.55	29202.06	29049.75	29070.49	29247.09	29363.13	29228.23
G 40.0	26389.33	26341.63	26289.10	26433.83	26465.14	26272.20	26465.14	26433.83	26289.10	26341.63	26389.33	26411.77	26579.62
G 45.0	23721.64	23595.28	23525.39	23673.42	23728.60	23577.36	23728.60	23673.42	23525.39	23595.28	23721.64	23739.32	23663.55
G 50.0	21086.77	21003.24	21006.67	21155.97	21209.21	21091.39	21209.21	21155.97	21006.67	21003.24	21086.77	21232.66	21443.47
G 55.0	18830.18	18677.49	18578.31	18742.29	18789.58	18581.36	18789.58	18742.29	18578.31	18677.49	18830.18	18828.07	18692.88
G 60.0	16399.19	16359.39	16261.75	16430.67	16470.53	16228.03	16470.53	16430.67	16261.75	16359.39	16399.19	16381.24	16681.28
G 65.0	14328.46	14274.04	14203.43	14276.27	14253.33	14052.02	14253.33	14276.27	14203.43	14274.04	14328.46	14260.86	14153.61
G 70.0	12019.65	11896.79	11754.99	11938.79	12013.27	11801.46	12013.27	11938.79	11754.99	11896.79	12019.65	12063.56	12277.66
G 75.0	9557.22	9546.45	9473.59	9498.63	9424.74	9188.02	9424.74	9498.63	9473.59	9546.45	9557.22	9447.14	9357.89
G 80.0	7498.36	7472.45	7287.05	7422.51	7526.14	7488.81	7526.14	7422.51	7287.05	7472.45	7498.36	7429.52	7743.90
G 85.0	6339.94	6394.52	6464.07	6369.39	6193.29	6013.58	6193.29	6369.39	6464.07	6394.52	6339.94	6278.63	6074.40
G 90.0	0.00	0.00	0.00	0.00	0.00	0.00	0.00	0.00	0.00	0.00	0.00	0.00	0.00

**Luminaire**  
 Code DE-0271-NEG  
 Name Sobremesa led 7W 3000K  
**Measur.**  
 Code CL116A17F083G  
 Name Sobremesa led 7W 3000K

Luminaire Flux	325.73 lm	Luminaire Power	6.13 W	Efficacy	53.14 lm/W	Efficiency	100.00%
Lamps Flux	325.73 lm	Maximum value	543.64 cd/klm	Position	C=0.00 G=0.00	CG	Double Symmetrical

**Luminance cd/m2 Table 3/3**

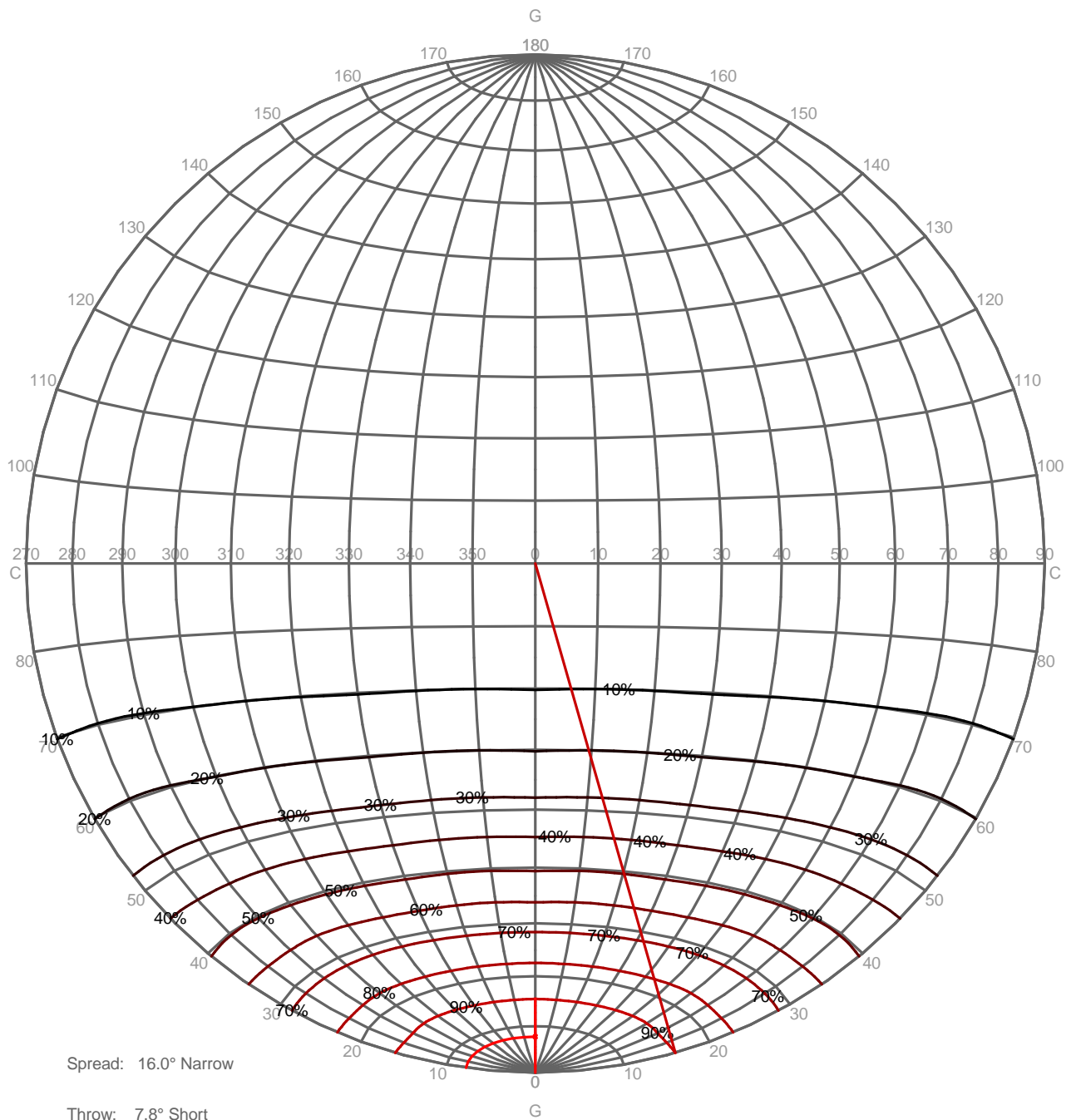
	C 260.00	C 270.00	C 280.00	C 290.00	C 300.00	C 310.00	C 320.00	C 330.00	C 340.00	C 350.00
G 0.0	41173.31	41173.31	41173.31	41173.31	41173.31	41173.31	41173.31	41173.31	41173.31	41173.31
G 5.0	40841.54	40916.99	40841.54	40827.83	40867.89	40892.09	40862.88	40816.24	40824.02	40844.29
G 10.0	40031.02	40052.55	40031.02	40015.53	40018.05	40042.11	40037.00	40007.68	40010.67	40031.96
G 15.0	38651.71	38887.52	38651.71	38612.57	38707.12	38694.83	38648.31	38627.51	38609.69	38615.19
G 20.0	36770.43	36801.08	36770.43	36768.14	36794.97	36820.06	36798.24	36748.22	36737.32	36758.89
G 25.0	34545.87	34861.08	34545.87	34521.69	34661.92	34579.65	34488.29	34501.47	34507.37	34508.97
G 30.0	31930.42	31910.10	31930.42	31916.92	31902.40	31943.58	31935.84	31881.94	31889.15	31892.07
G 35.0	29219.79	29470.64	29219.79	29228.23	29363.13	29247.09	29070.49	29049.75	29202.06	29240.55
G 40.0	26588.59	26348.25	26588.59	26579.62	26411.77	26389.33	26341.63	26289.10	26433.83	26465.14
G 45.0	23748.18	24044.77	23748.18	23663.55	23739.32	23721.64	23595.28	23525.39	23673.42	23728.60
G 50.0	21397.24	21043.58	21397.24	21443.47	21232.66	21086.77	21003.24	21006.67	21155.97	21209.21
G 55.0	18740.10	19039.19	18740.10	18692.88	18828.07	18830.18	18677.49	18578.31	18742.29	18789.58
G 60.0	16717.66	16306.97	16717.66	16681.28	16381.24	16399.19	16359.39	16261.75	16430.67	16470.53
G 65.0	14207.65	14446.28	14207.65	14153.61	14260.86	14328.46	14274.04	14203.43	14276.27	14253.33
G 70.0	12231.00	11806.64	12231.00	12277.66	12063.56	12019.65	11896.79	11754.99	11938.79	12013.27
G 75.0	9453.50	9728.80	9453.50	9357.89	9447.14	9557.22	9546.45	9473.59	9498.63	9424.74
G 80.0	7733.99	7167.76	7733.99	7743.90	7429.52	7498.36	7472.45	7287.05	7422.51	7526.14
G 85.0	6179.91	6694.69	6179.91	6074.40	6278.63	6339.94	6394.52	6464.07	6369.39	6193.29
G 90.0	0.00	0.00	0.00	0.00	0.00	0.00	0.00	0.00	0.00	0.00

**Luminaire**  
 Code DE-0271-NEG  
 Name Sobremesa led 7W 3000K  
**Measur.**  
 Code CL116A17F083G  
 Name Sobremesa led 7W 3000K

Luminaire Flux	325.73 lm	Luminaire Power	6.13 W	Efficacy	53.14 lm/W	Efficiency	100.00%
Lamps Flux	325.73 lm	Maximum value	543.64 cd/klm	Position	C=0.00 G=0.00	CG	Double Symmetrical

**PERCENTAGE ISOCANDLES**

Projection: Equal Area SLI 8.6 Tight Tilting Angle:0°

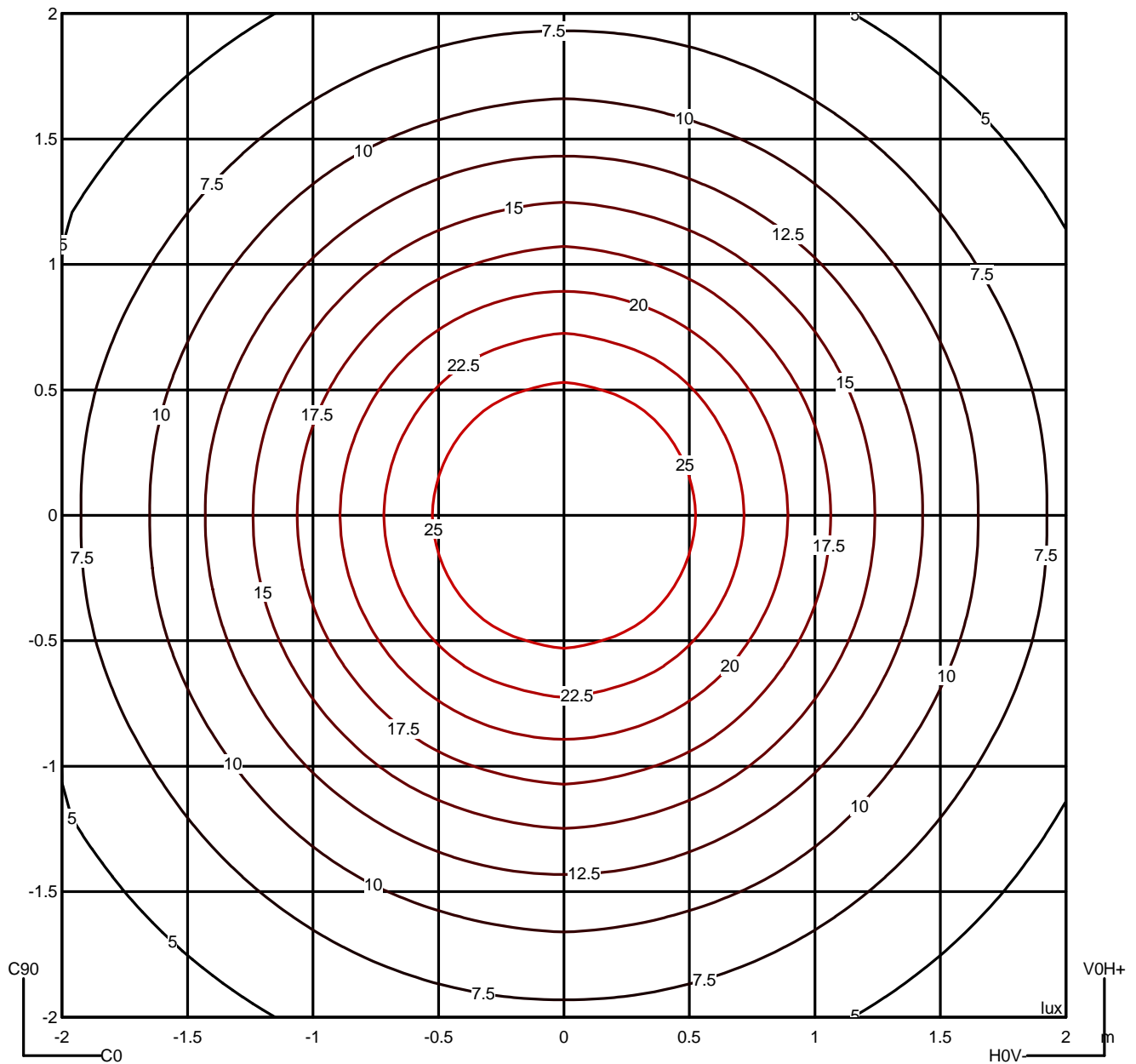


**Luminaire**  
 Code DE-0271-NEG  
 Name Sobremesa led 7W 3000K  
**Measur.**  
 Code CL116A17F083G  
 Name Sobremesa led 7W 3000K

Luminaire Flux	325.73 lm	Luminaire Power	6.13 W	Efficacy	53.14 lm/W	Efficiency	100.00%
Lamps Flux	325.73 lm	Maximum value	543.64 cd/klm	Position	C=0.00 G=0.00	CG	Double Symmetrical

Isolux (Floor)

Luminaire position X=0.00m Y=0.00m Z=2.50m

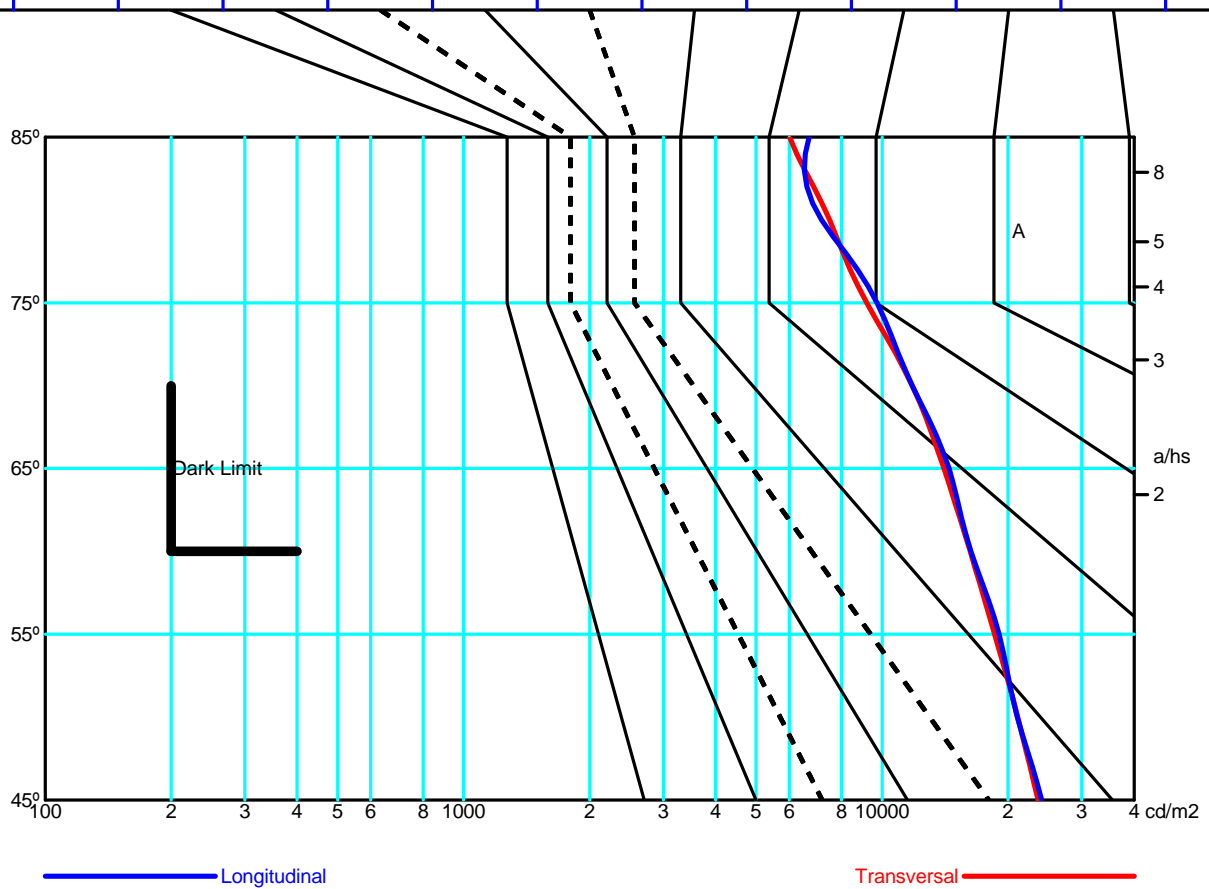


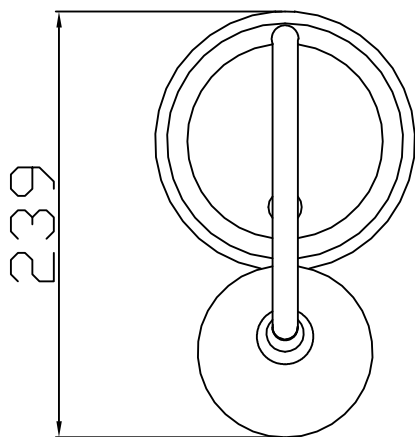
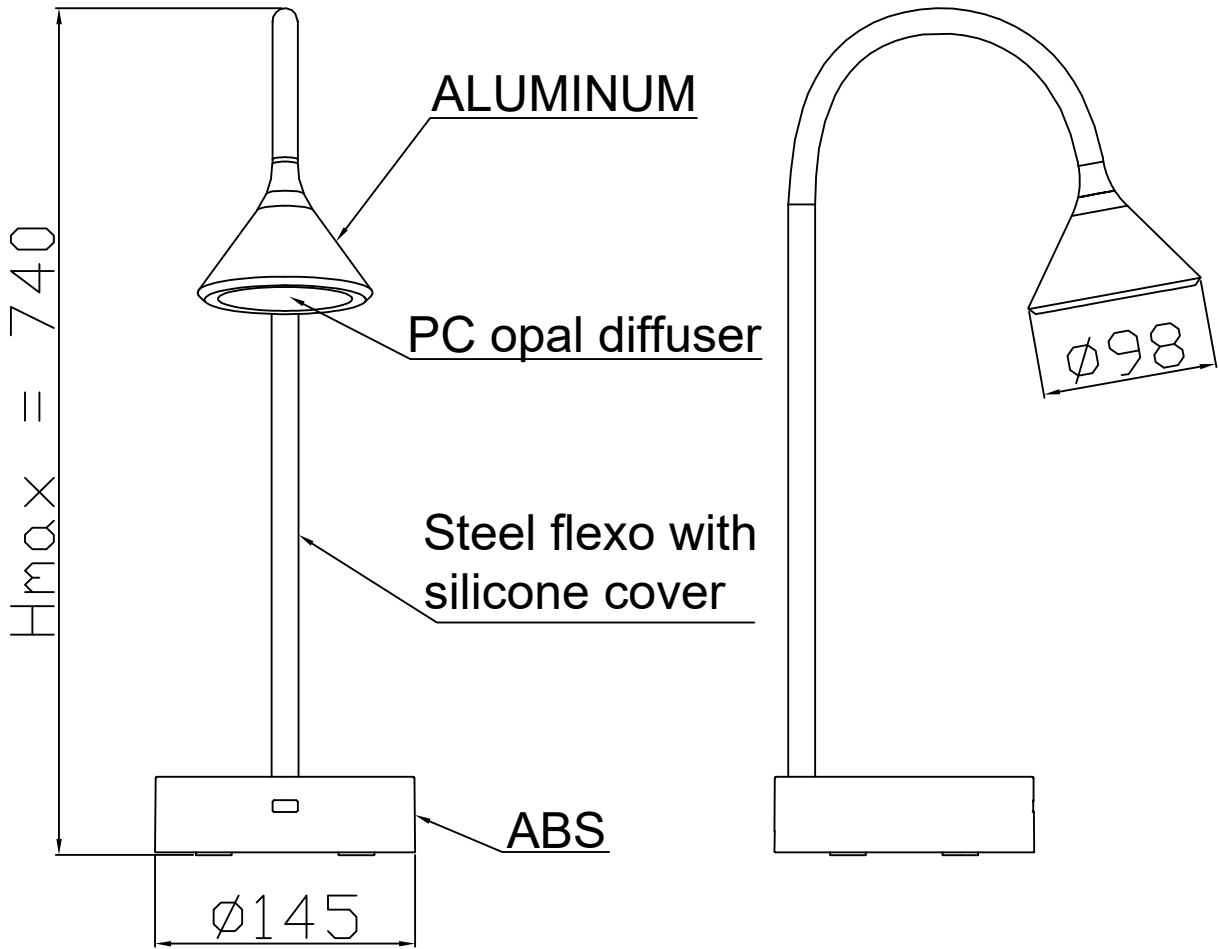
**Luminaire**  
 Code DE-0271-NEG  
 Name Sobremesa led 7W 3000K  
**Measur.**  
 Code CL116A17F083G  
 Name Sobremesa led 7W 3000K

Luminaire Flux	325.73 lm	Luminaire Power	6.13 W	Efficacy	53.14 lm/W	Efficiency	100.00%
Lamps Flux	325.73 lm	Maximum value	543.64 cd/klm	Position	C=0.00 G=0.00	CG	Double Symmetrical

		Average Luminance [cd/m <sup>2</sup> ]									
		45°	50°	55°	60°	65°	70°	75°	80°	85°	
0.0°	23577	21091	18581	16228	14052	11801	9188	7489	6014	---	
90.0°	24045	21044	19039	16307	14446	11807	9729	7168	6695	---	

Flush mounted or longitudinal view												
		Illumination(lx)										
A	A	2000	1000	750	500		<300					1.15
B	1		2000	1500	1000	750	500	<300				1.5
C					2000		1000	500	<300			1.85
D	2						2000	1000	500	<300		2.2
E	3							2000	1000	500	<300	2.55









Ding  
DE-0271

FOR  
LIGHT

