



Mandela 500mm

PX-0086-ANT

Baliza IP44 Mandela 500mm E27 Cinzento urbano



CARACTERÍSTICAS TÉCNICAS

IP44 IK08

Material da estrutura : Alumínio

Acabamento estrutura : Cinzento urbano

Material do difusor : Policarbonato

Acabamento difusor : Opala

Lâmpada recomendada : E27

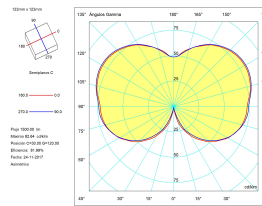
Tensão / Frequência : 100-240V/50-60Hz

Garantia : 5 Anos

Eficiência energética : Sem lâmpada

CARACTERÍSTICAS LUMINOTÉCNICAS

Casquilhos: 1 x E27



LOGÍSTICA

Peso líquido (kg): 1.44

Peso embalado (kg): 1.65

Embalagem: 145mm x 135mm x 520mm

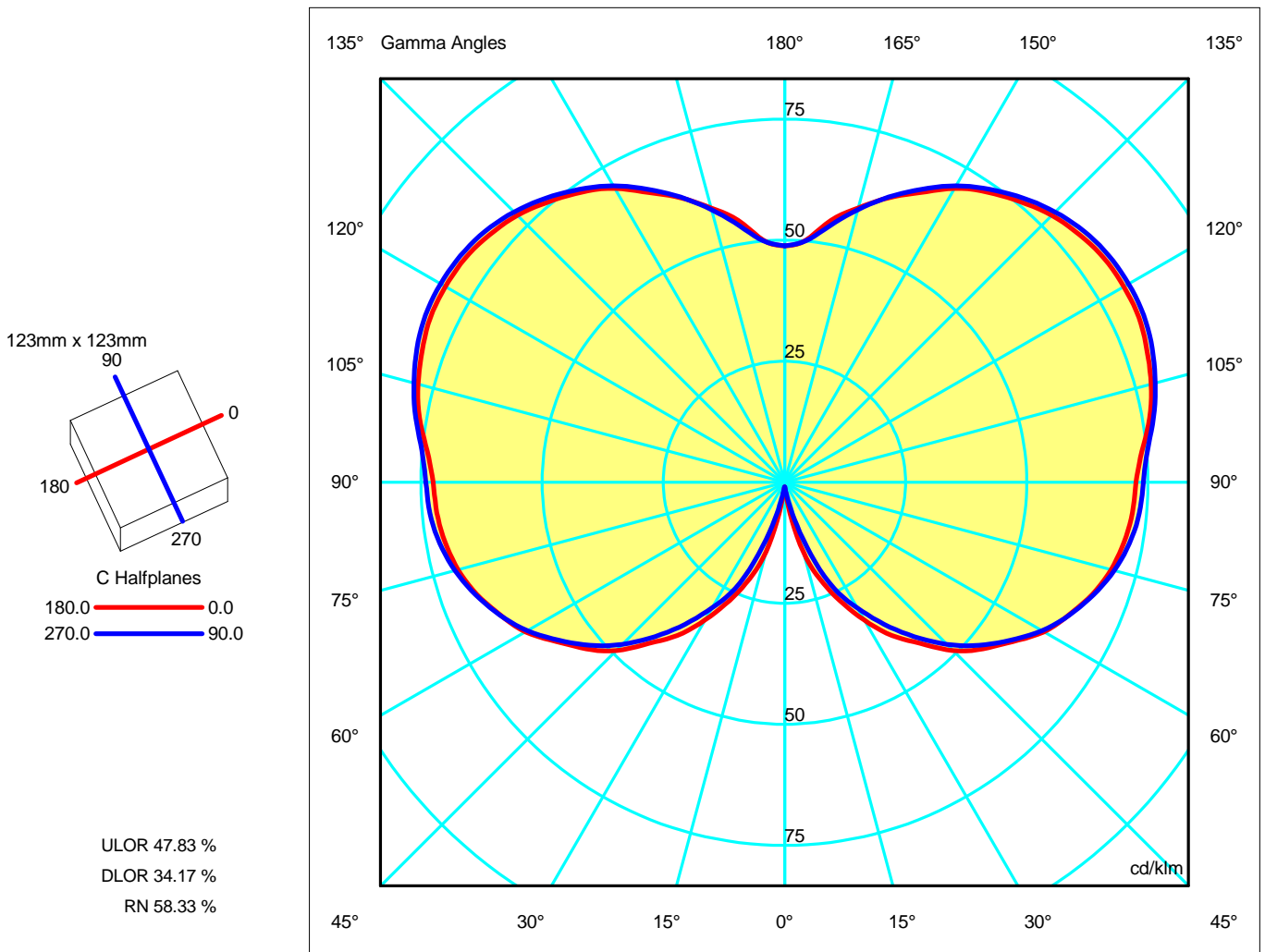
 6 Un

Luminaire

Code PX-0086-ANT
 Name Baliza 25W fluor E27 dif. opal
Measur.
 Code 55-9605
 Name Baliza 25W fluor E27 dif. opal

Luminaire Flux	1229.92 lm	Luminaire Power	23.00 W	Efficacy	53.47 lm/W	Efficiency	81.99%
Lamps Flux	1500.00 lm	Maximum value	82.64 cd/klm	Position	C=30.00 G=120.00	CG	Asymmetrical
Rectangular Luminaire		Length	123 mm	Width	123 mm	Height	505 mm
Rectangular Luminous Area		Length	123 mm	Width	123 mm	Height	120 mm
Horizontal Luminous Area		0.015129 m2		Emitting area on Plane 180°		0.014760 m2	
Emitting area on Plane 0°		0.014760 m2		Emitting area on Plane 270°		0.014760 m2	
Emitting area on Plane 90°		0.014760 m2		Glare area at 76°		0.017982 m2	
Coordinate system		CG		Symmetry Type		Asymmetrical	
Date		24-11-2017		Maximum Gamma Angle		180	
Measurement Distance		0.00		Measurement Flux		1500.00 lm	
Operator		LEDS		Source Voltage [V]			
Temperature		25.00 °C		Source current [A]			
Humidity		60.00 %		Photocell			
Notes							

Line		Code	Luminaire Lamps		Flux [lm]	Pow. [W]	Q.ty
		DLX EL LL 23W827E27	DLX EL LL 23W827E27		1500.00	23.00	1
C.I.E.	12 36 67 42 82		D DIN 5040		C12		
F UTE	--		B NBN		BZ 10		





Luminaire

Code PX-0086-ANT
Name Baliza 25W fluor E27 dif. opal

Measuram.

Code 55-9605
Name Baliza 25W fluor E27 dif. opal

Luminaire Flux	1229.92 lm	Luminaire Power	23.00 W	Efficacy	53.47 lm/W	Efficiency	81.99%
Lamps Flux	1500.00 lm	Maximum value	82.64 cd/klm	Position	C=30.00 G=120.00	CG	Asymmetrical

Luminous Intensity Table cd/klm Table 1/1

	C 0.00	C 15.00	C 30.00	C 45.00	C 60.00	C 75.00	C 90.00	C 105.00	C 120.00	C 135.00	C 150.00	C 165.00
G 0.0	0.96	0.96	0.96	0.96	0.96	0.96	0.96	0.96	0.96	0.96	0.96	0.96
G 5.0	1.69	2.16	2.66	1.93	1.98	2.07	1.36	2.07	1.98	1.93	2.66	2.16
G 10.0	6.58	4.79	6.11	6.33	5.15	5.17	3.34	5.17	5.15	6.33	6.11	4.79
G 15.0	14.87	10.75	11.42	11.78	11.06	9.84	7.97	9.84	11.06	11.78	11.42	10.75
G 20.0	21.25	17.17	17.51	17.42	17.07	16.54	15.87	16.54	17.07	17.42	17.51	17.17
G 25.0	26.91	24.08	24.47	23.95	23.15	23.59	24.16	23.59	23.15	23.95	24.47	24.08
G 30.0	32.81	29.81	30.28	29.84	29.15	29.82	29.92	29.82	29.15	29.84	30.28	29.81
G 35.0	38.60	35.61	35.93	35.56	34.97	35.69	35.77	35.69	34.97	35.56	35.93	35.61
G 40.0	43.38	41.85	42.34	41.78	40.49	41.40	41.58	41.40	40.49	41.78	42.34	41.85
G 45.0	49.14	46.92	47.57	46.93	45.73	46.89	47.29	46.89	45.73	46.93	47.57	46.92
G 50.0	53.46	52.01	52.74	52.03	50.55	51.93	52.38	51.93	50.55	52.03	52.74	52.01
G 55.0	57.36	56.87	57.52	56.82	55.05	56.51	56.85	56.51	55.05	56.82	57.52	56.87
G 60.0	61.74	60.84	61.61	60.77	59.06	60.59	61.25	60.59	59.06	60.77	61.61	60.84
G 65.0	64.76	64.78	65.71	64.70	62.59	64.31	64.83	64.31	62.59	64.70	65.71	64.78
G 70.0	67.57	67.84	68.64	67.79	65.53	67.47	67.84	67.47	65.53	67.79	68.64	67.84
G 75.0	69.72	70.21	70.99	70.11	67.88	69.89	70.39	69.89	67.88	70.11	70.99	70.21
G 80.0	71.12	72.32	73.06	72.06	69.63	71.71	72.26	71.71	69.63	72.06	73.06	72.32
G 85.0	72.03	73.38	74.17	73.20	70.72	72.87	73.45	72.87	70.72	73.20	74.17	73.38
G 90.0	72.53	73.98	74.82	73.93	71.38	73.67	74.01	73.67	71.38	73.93	74.82	73.98
G 95.0	74.03	75.22	76.14	75.25	72.61	74.94	75.14	74.94	72.61	75.25	76.14	75.22
G100.0	76.49	77.11	78.03	77.00	74.65	76.76	77.29	76.76	74.65	77.00	78.03	77.11
G105.0	78.30	79.15	80.02	79.03	76.63	78.72	79.17	78.72	76.63	79.03	80.02	79.15
G110.0	79.58	80.74	81.51	80.70	78.26	80.36	80.72	80.36	78.26	80.70	81.51	80.74
G115.0	80.64	81.63	82.38	81.64	79.34	81.40	81.74	81.40	79.34	81.64	82.38	81.63
G120.0	80.81	81.99	82.64	81.99	79.79	81.77	81.97	81.77	79.79	81.99	82.64	81.99
G125.0	80.55	81.69	82.26	81.70	79.63	81.49	81.63	81.49	79.63	81.70	82.26	81.69
G130.0	79.50	80.71	81.30	80.83	78.86	80.59	80.67	80.59	78.86	80.83	81.30	80.71
G135.0	77.97	78.94	79.49	79.18	77.42	79.05	78.96	79.05	77.42	79.18	79.49	78.94
G140.0	75.67	76.79	77.35	77.16	75.43	76.97	76.64	76.97	75.43	77.16	77.35	76.79
G145.0	73.16	74.09	74.63	74.57	72.92	74.32	73.87	74.32	72.92	74.57	74.63	74.09
G150.0	70.11	70.39	71.12	71.12	69.89	71.10	70.71	71.10	69.89	71.12	71.12	70.39
G155.0	66.02	66.59	67.51	67.52	66.30	67.44	66.81	67.44	66.30	67.52	67.51	66.59
G160.0	62.55	62.22	62.95	63.10	62.33	63.36	62.68	63.36	62.33	62.95	63.10	62.22
G165.0	58.69	57.43	58.79	58.85	58.20	59.06	58.31	59.06	58.20	58.85	58.79	57.43
G170.0	54.95	52.81	54.70	54.83	53.84	55.00	53.83	55.00	53.84	54.83	54.70	52.81
G175.0	50.18	50.26	50.55	50.35	50.38	51.48	50.05	51.48	50.38	50.35	50.55	50.26
G180.0	48.83	48.83	48.83	48.83	48.83	48.83	48.83	48.83	48.83	48.83	48.83	48.83

	C 180.00	C 195.00	C 210.00	C 225.00	C 240.00	C 255.00	C 270.00	C 285.00	C 300.00	C 315.00	C 330.00	C 345.00
G 0.0	0.96	0.96	0.96	0.96	0.96	0.96	0.96	0.96	0.96	0.96	0.96	0.96
G 5.0	1.69	2.16	2.66	1.93	1.98	2.07	1.36	2.07	1.98	1.93	2.66	2.16
G 10.0	6.58	4.79	6.11	6.33	5.15	5.17	3.34	5.17	5.15	6.33	6.11	4.79
G 15.0	14.87	10.75	11.42	11.78	11.06	9.84	7.97	9.84	11.06	11.78	11.42	10.75
G 20.0	21.25	17.17	17.51	17.42	17.07	16.54	15.87	16.54	17.07	17.42	17.51	17.17
G 25.0	26.91	24.08	24.47	23.95	23.15	23.59	24.16	23.59	23.15	23.95	24.47	24.08
G 30.0	32.81	29.81	30.28	29.84	29.15	29.82	29.92	29.82	29.15	29.84	30.28	29.81
G 35.0	38.60	35.61	35.93	35.56	34.97	35.69	35.77	35.69	34.97	35.56	35.93	35.61
G 40.0	43.38	41.85	42.34	41.78	40.49	41.40	41.58	41.40	40.49	41.78	42.34	41.85
G 45.0	49.14	46.92	47.57	46.93	45.73	46.89	47.29	46.89	45.73	46.93	47.57	46.92
G 50.0	53.46	52.01	52.74	52.03	50.55	51.93	52.38	51.93	50.55	52.03	52.74	52.01
G 55.0	57.36	56.87	57.52	56.82	55.05	56.51	56.85	56.51	55.05	56.82	57.52	56.87
G 60.0	61.74	60.84	61.61	60.77	59.06	60.59	61.25	60.59	59.06	60.77	61.61	60.84
G 65.0	64.76	64.78	65.71	64.70	62.59	64.31	64.83	64.31	62.59	64.70	65.71	64.78
G 70.0	67.57	67.84	68.64	67.79	65.53	67.47	67.84	67.47	65.53	67.79	68.64	67.84
G 75.0	69.72	70.21	70.99	70.11	67.88	69.89	70.39	69.89	67.88	70.11	70.99	70.21
G 80.0	71.12	72.32	73.06	72.06	69.63	71.71	72.26	71.71	69.63	72.06	73.06	72.32
G 85.0	72.03	73.38	74.17	73.20	70.72	72.87	73.45	72.87	70.72	73.20	74.17	73.38
G 90.0	72.53	73.98	74.82	73.93	71.38	73.67	74.01	73.67	71.38	73.93	74.82	73.98
G 95.0	74.03	75.22	76.14	75.25	72.61	74.94	75.14	74.94	72.61	75.25	76.14	75.22
G100.0	76.49	77.11	78.03	77.00	74.65	76.76	77.29	76.76	74.65	77.00	78.03	77.11
G105.0	78.30	79.15	80.02	79.03	76.63	78.72	79.17	78.72	76.63	79.03	80.02	79.15
G110.0	79.58	80.74	81.51	80.70	78.26	80.36	80.72	80.36	78.26	80.70	81.51	80.74
G115.0	80.64	81.63	82.38	81.64	79.34	81.40	81.74	81.40	79.34	81.64	82.38	81.63
G120.0	80.81	81.99	82.64	81.99	79.79	81.77	81.97	81.77	79.79	81.99	82.64	81.99
G125.0	80.55	81.69	82.26	81.70	79.63	81.49	81.63	81.49	79.63	81.70	82.26	81.69
G130.0	79.50	80.71	81.30	80.83	78.86	80.59	80.67	80.59	78.86	80.83	81.30	80.71
G135.0	77.97	78.94	79.49	79.18	77.42	79.05	78.96	79.05	77.42	79.18	79.49	78.94
G140.0	75.67	76.79	77.35	77.16	75.43	76.97	76.64	76.97	75.43	77.16	77.35	76.79
G145.0	73.16	74.09	74.63	74.57	72.92	74.32	73.87	74.32	72.92	74.57	74.63	74.09
G150.0	70.11	70.39	71.12	71.12	69.89	71.10	70.71	71.10	69.89	71.12	71.12	70.39
G155.0	66.02	66.59	67.51	67.52	66.30	67.44	66.81	67.44	66.30	67.52	67.51	66.59
G160.0	62.55	62.22	62.95	63.10	62.33	63.36	62.68	63.36	62.33	62.95	63.10	62.22
G165.0	58.69	57.43	58.79	58.85	58.20	59.06	58.31	59.06	58.20	58.85	58.79	57.43
G170.0	54.95	52.81	54.70	54.83	53.84	55.00	53.83	55.00	53.84	54.83	54.70	52.81
G175.0	50.18	50.26	50.55	50.35	50.38	51.48	50.05	51.48	50.38	50.35	50.55	50.26
G180.0	48.83	48.83	48.83	48.83	48.83	48.83	48.83	48.83	48.83	48.83	48.83	48.83

Luminaire

Code PX-0086-ANT
 Name Baliza 25W fluor E27 dif. opal

Measur.

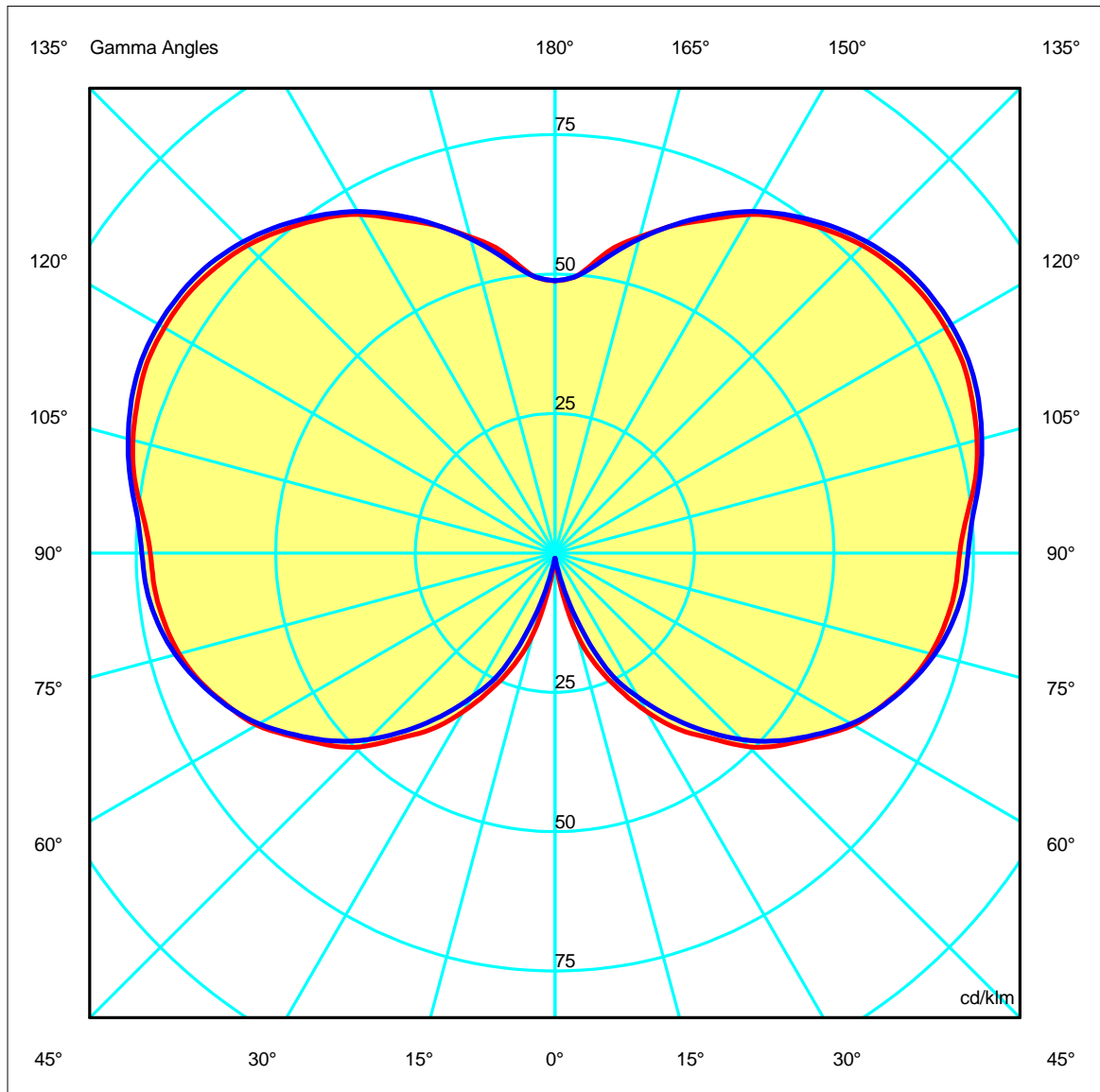
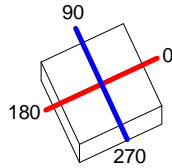
Code 55-9605
 Name Baliza 25W fluor E27 dif. opal

Luminaire Flux	1229.92 lm	Luminaire Power	23.00 W	Efficacy	53.47 lm/W	Efficiency	81.99%
Lamps Flux	1500.00 lm	Maximum value	82.64 cd/klm	Position	C=30.00 G=120.00	CG	Asymmetrical

123mm x 123mm

C Halfplanes

180.0 ——— 0.0
 270.0 ——— 90.0





LuminaireCode PX-0086-ANT
Name Baliza 25W fluor E27 dif. opal**Measurem.**Code 55-9605
Name Baliza 25W fluor E27 dif. opal

Luminaire Flux	1229.92 lm	Luminaire Power	23.00 W	Efficacy	53.47 lm/W	Efficiency	81.99%
Lamps Flux	1500.00 lm	Maximum value	82.64 cd/klm	Position	C=30.00 G=120.00	CG	Asymmetrical

Right beam angle not found, gamma = -61

Right beam angle not found, gamma = -61

Right beam angle not found, gamma = -61



Luminaire

Code PX-0086-ANT
Name Baliza 25W fluor E27 dif. opal

Measurement

Code 55-9605
Name Baliza 25W fluor E27 dif. opal

Luminaire Flux	1229.92 lm	Luminaire Power	23.00 W	Efficacy	53.47 lm/W	Efficiency	81.99%
Lamps Flux	1500.00 lm	Maximum value	82.64 cd/klm	Position	C=30.00 G=120.00	CG	Asymmetrical

UGR
S = 0.250

Reflectancies										
Ceiling/Cavity	0.7	0.7	0.5	0.5	0.3	0.7	0.7	0.5	0.5	0.3
Walls	0.5	0.3	0.5	0.3	0.3	0.5	0.3	0.5	0.3	0.3
WorkingPlane	0.2	0.2	0.2	0.2	0.2	0.2	0.2	0.2	0.2	0.2
RoomDimensions	Viewed Crosswise					Viewed Endwise				
x=2H y=2H	12.9	13.8	13.8	14.8	16.1	12.8	13.7	13.7	14.7	16.0
x=2H y=3H	16.1	16.9	17.1	17.9	19.3	16.0	16.9	17.0	17.9	19.2
x=2H y=4H	17.7	18.5	18.7	19.5	20.9	17.7	18.5	18.7	19.5	20.9
x=2H y=6H	19.4	20.1	20.4	21.1	22.5	19.4	20.1	20.4	21.1	22.5
x=2H y=8H	20.2	20.9	21.2	21.9	23.3	20.2	20.9	21.2	21.9	23.3
x=2H y=12H	20.9	21.6	22.0	22.6	24.0	21.0	21.7	22.0	22.7	24.1
x=4H y=2H	13.9	14.7	14.9	15.7	17.0	13.8	14.6	14.8	15.6	16.9
x=4H y=3H	17.1	17.8	18.2	18.9	20.2	17.0	17.7	18.1	18.8	20.1
x=4H y=4H	18.9	19.5	19.9	20.5	22.0	18.8	19.4	19.8	20.5	21.9
x=4H y=6H	20.6	21.2	21.7	22.2	23.7	20.6	21.1	21.6	22.2	23.6
x=4H y=8H	21.5	22.0	22.6	23.1	24.5	21.5	22.0	22.5	23.1	24.5
x=4H y=12H	22.4	22.8	23.4	23.9	25.4	22.4	22.8	23.4	23.9	25.4
x=8H y=4H	19.5	20.0	20.5	21.0	22.5	19.4	19.9	20.5	21.0	22.4
x=8H y=6H	21.4	21.8	22.5	22.9	24.4	21.3	21.8	22.4	22.9	24.3
x=8H y=8H	22.4	22.8	23.5	23.9	25.4	22.4	22.8	23.4	23.8	25.3
x=8H y=12H	23.5	23.8	24.6	24.9	26.4	23.4	23.8	24.5	24.9	26.3
x=12H y=4H	19.6	20.0	20.6	21.1	22.6	19.5	20.0	20.6	21.1	22.5
x=12H y=6H	21.6	22.0	22.7	23.1	24.6	21.6	21.9	22.6	23.0	24.5
x=12H y=8H	22.7	23.1	23.8	24.2	25.6	22.6	23.0	23.7	24.1	25.6

Luminaire

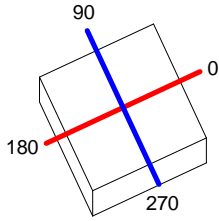
Code PX-0086-ANT
 Name Baliza 25W fluor E27 dif. opal

Measur.

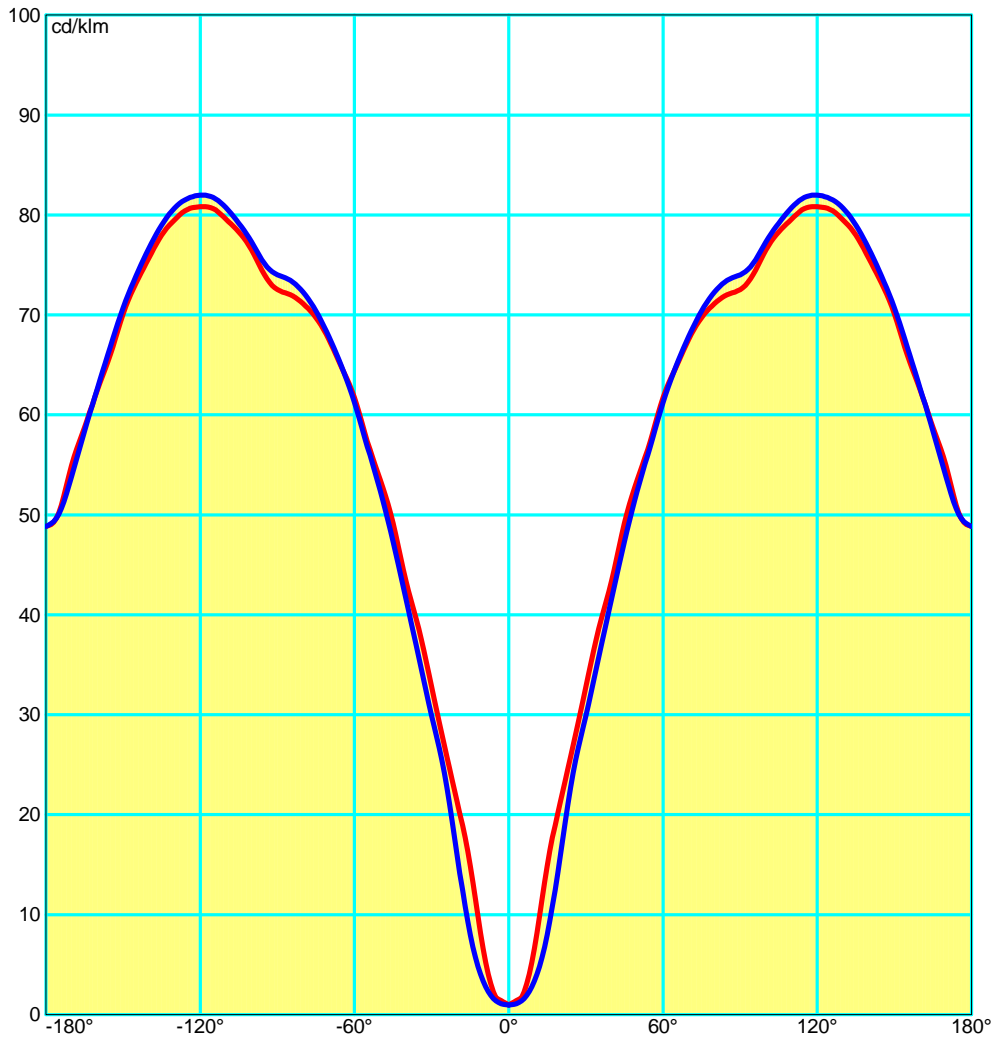
Code 55-9605
 Name Baliza 25W fluor E27 dif. opal

Luminaire Flux	1229.92 lm	Luminaire Power	23.00 W	Efficacy	53.47 lm/W	Efficiency	81.99%
Lamps Flux	1500.00 lm	Maximum value	82.64 cd/klm	Position	C=30.00 G=120.00	CG	Asymmetrical

123mm x 123mm



C Halfplanes
 180.0 ———— 0.0
 270.0 ———— 90.0



Luminaire
 Code PX-0086-ANT
 Name Baliza 25W fluor E27 dif. opal
Measurement
 Code 55-9605
 Name Baliza 25W fluor E27 dif. opal

Luminaire Flux	1229.92 lm	Luminaire Power	23.00 W	Efficacy	53.47 lm/W	Efficiency	81.99%
Lamps Flux	1500.00 lm	Maximum value	82.64 cd/klm	Position	C=30.00 G=120.00	CG	Asymmetrical

Luminance





Luminaire

Code PX-0086-ANT
Name Baliza 25W fluor E27 dif. opal

Measurerm.

Code 55-9605
Name Baliza 25W fluor E27 dif. opal

Luminaire Flux	1229.92 lm	Luminaire Power	23.00 W	Efficacy	53.47 lm/W	Efficiency	81.99%
Lamps Flux	1500.00 lm	Maximum value	82.64 cd/klm	Position	C=30.00 G=120.00	CG	Asymmetrical

Luminance cd/m2 Table 1/3

	C 0.00	C 10.00	C 20.00	C 30.00	C 40.00	C 50.00	C 60.00	C 70.00	C 80.00	C 90.00	C 100.00	C 110.00	C 120.00
G 0.0	95.35	95.35	95.35	95.35	95.35	95.35	95.35	95.35	95.35	95.35	95.35	95.35	95.35
G 5.0	154.53	177.52	215.84	237.06	194.10	173.02	176.90	194.08	163.42	124.58	163.43	183.38	176.90
G 10.0	565.53	425.28	414.19	497.77	528.86	478.38	420.12	439.80	378.27	287.30	378.21	439.93	420.12
G 15.0	1209.74	917.76	815.27	863.84	887.91	870.35	836.87	800.58	712.63	648.37	712.52	800.83	836.87
G 20.0	1654.86	1351.87	1253.19	1243.95	1234.94	1216.33	1212.59	1215.75	1214.25	1235.47	1214.15	1215.99	1212.59
G 25.0	2023.51	1768.64	1673.29	1651.20	1617.93	1573.63	1562.11	1612.85	1709.14	1816.71	1709.06	1613.01	1562.11
G 30.0	2402.68	2109.53	1992.56	1959.14	1923.81	1883.24	1886.16	1966.02	2073.10	2190.85	2073.02	1966.18	1886.16
G 35.0	2775.81	2450.21	2304.95	2249.73	2209.29	2174.95	2189.77	2286.78	2418.33	2572.24	2418.26	2286.93	2189.77
G 40.0	3087.28	2799.37	2646.03	2586.96	2534.55	2478.77	2474.23	2591.62	2761.83	2959.13	2761.79	2591.70	2474.23
G 45.0	3487.43	3116.54	2926.54	2859.66	2796.71	2739.01	2748.55	2892.20	3104.26	3356.04	3104.21	2892.31	2748.55
G 50.0	3812.84	3434.11	3229.96	3143.24	3070.41	3004.19	3012.52	3181.90	3433.72	3735.56	3433.68	3181.98	3012.52
G 55.0	4142.69	3762.71	3539.78	3424.44	3343.41	3271.77	3277.86	3470.18	3756.07	4105.76	3756.06	3470.21	3277.86
G 60.0	4551.34	4085.97	3822.83	3692.99	3596.72	3521.55	3540.06	3754.54	4090.27	4515.74	4090.25	3754.60	3540.06
G 65.0	4912.97	4438.17	4148.17	3995.99	3883.40	3791.70	3805.80	4052.87	4433.49	4918.91	4433.49	4052.88	3805.80
G 70.0	5322.40	4778.54	4451.67	4268.18	4151.01	4057.25	4074.78	4359.07	4789.37	5343.30	4789.37	4359.07	4074.78
G 75.0	5755.16	5138.27	4765.99	4552.47	4419.48	4323.24	4353.20	4670.33	5160.88	5809.93	5160.89	4670.32	4353.20
G 80.0	6215.64	5543.49	5127.13	4874.10	4720.80	4612.98	4645.14	5000.10	5559.51	6315.55	5559.53	5000.05	4645.14
G 85.0	6743.02	5962.90	5485.76	5198.11	5027.97	4913.45	4955.73	5355.78	5993.76	6876.76	5993.79	5355.72	4955.73
G 90.0	7370.48	6450.49	5895.92	5566.44	5379.89	5257.17	5310.16	5770.71	6496.32	7521.49	6496.36	5770.63	5310.16



Luminaire

Code PX-0086-ANT
Name Baliza 25W fluor E27 dif. opal

Measurment

Code 55-9605
Name Baliza 25W fluor E27 dif. opal

Luminaire Flux	1229.92 lm	Luminaire Power	23.00 W	Efficacy	53.47 lm/W	Efficiency	81.99%
Lamps Flux	1500.00 lm	Maximum value	82.64 cd/klm	Position	C=30.00 G=120.00	CG	Asymmetrical

Luminance cd/m2 Table 2/3

	C 130.00	C 140.00	C 150.00	C 160.00	C 170.00	C 180.00	C 190.00	C 200.00	C 210.00	C 220.00	C 230.00	C 240.00	C 250.00
G 0.0	95.35	95.35	95.35	95.35	95.35	95.35	95.35	95.35	95.35	95.35	95.35	95.35	95.35
G 5.0	162.95	193.83	237.06	217.31	173.77	154.53	173.77	217.31	237.06	193.83	173.02	176.90	194.06
G 10.0	477.68	530.63	497.77	404.30	450.73	565.53	450.73	404.30	497.77	530.63	477.68	420.12	439.93
G 15.0	869.04	891.22	863.84	796.60	966.14	1209.74	966.14	843.84	863.84	891.22	869.04	836.87	800.83
G 20.0	1215.13	1227.32	1243.95	1253.19	1396.89	1654.86	1396.89	1253.19	1243.95	1227.32	1215.13	1212.59	1215.99
G 25.0	1572.82	1619.97	1651.20	1673.29	1799.15	2023.51	1799.15	1673.29	1651.20	1619.97	1572.82	1562.11	1613.01
G 30.0	1882.42	1925.88	1959.14	1992.56	2140.84	2402.68	2140.84	1992.56	1959.14	1925.88	1882.42	1886.16	1966.18
G 35.0	2174.17	2211.27	2249.73	2304.95	2480.31	2775.81	2480.31	2304.95	2249.73	2211.27	2174.17	2189.77	2286.93
G 40.0	2478.36	2535.59	2586.96	2639.99	2815.41	3087.28	2815.41	2639.99	2586.96	2535.59	2478.36	2474.23	2591.70
G 45.0	2738.42	2798.18	2859.66	2936.95	3139.44	3487.43	3139.44	2936.95	2859.66	2798.18	2738.42	2748.55	2892.31
G 50.0	3003.79	3071.42	3143.24	3224.09	3449.85	3812.84	3449.85	3224.09	3143.24	3071.42	3003.79	3012.52	3181.98
G 55.0	3271.61	3343.81	3424.44	3537.42	3769.04	4142.69	3769.04	3537.42	3424.44	3343.81	3271.61	3277.86	3470.21
G 60.0	3521.28	3597.41	3692.99	3818.81	4096.86	4551.34	4096.86	3818.81	3692.99	3597.41	3521.28	3540.06	3754.60
G 65.0	3791.64	3883.56	3995.99	4147.24	4438.17	4912.97	4431.97	4147.24	3995.99	3883.56	3791.64	3805.80	4052.88
G 70.0	4057.26	4150.99	4268.18	4451.82	4778.13	5322.40	4778.13	4451.82	4268.18	4150.99	4057.26	4074.78	4359.07
G 75.0	4323.30	4419.31	4552.47	4766.99	5135.51	5755.16	5135.51	4766.99	4552.47	4419.31	4323.30	4353.20	4670.32
G 80.0	4613.24	4720.14	4874.10	5131.12	5532.48	6215.64	5532.48	5131.12	4874.10	4720.14	4613.24	4645.14	5000.05
G 85.0	4913.76	5027.17	5198.11	5490.54	5949.63	6743.02	5949.63	5490.54	5198.11	5027.17	4913.76	4955.73	5355.72
G 90.0	5257.54	5378.98	5566.44	5901.46	6435.01	7370.48	6435.01	5901.46	5566.44	5378.98	5257.54	5310.16	5770.63

Luminaire

Code PX-0086-ANT
 Name Baliza 25W fluor E27 dif. opal
Measur.
 Code 55-9605
 Name Baliza 25W fluor E27 dif. opal

Luminaire Flux	1229.92 lm	Luminaire Power	23.00 W	Efficacy	53.47 lm/W	Efficiency	81.99%
Lamps Flux	1500.00 lm	Maximum value	82.64 cd/klm	Position	C=30.00 G=120.00	CG	Asymmetrical

Luminance cd/m2 Table 3/3

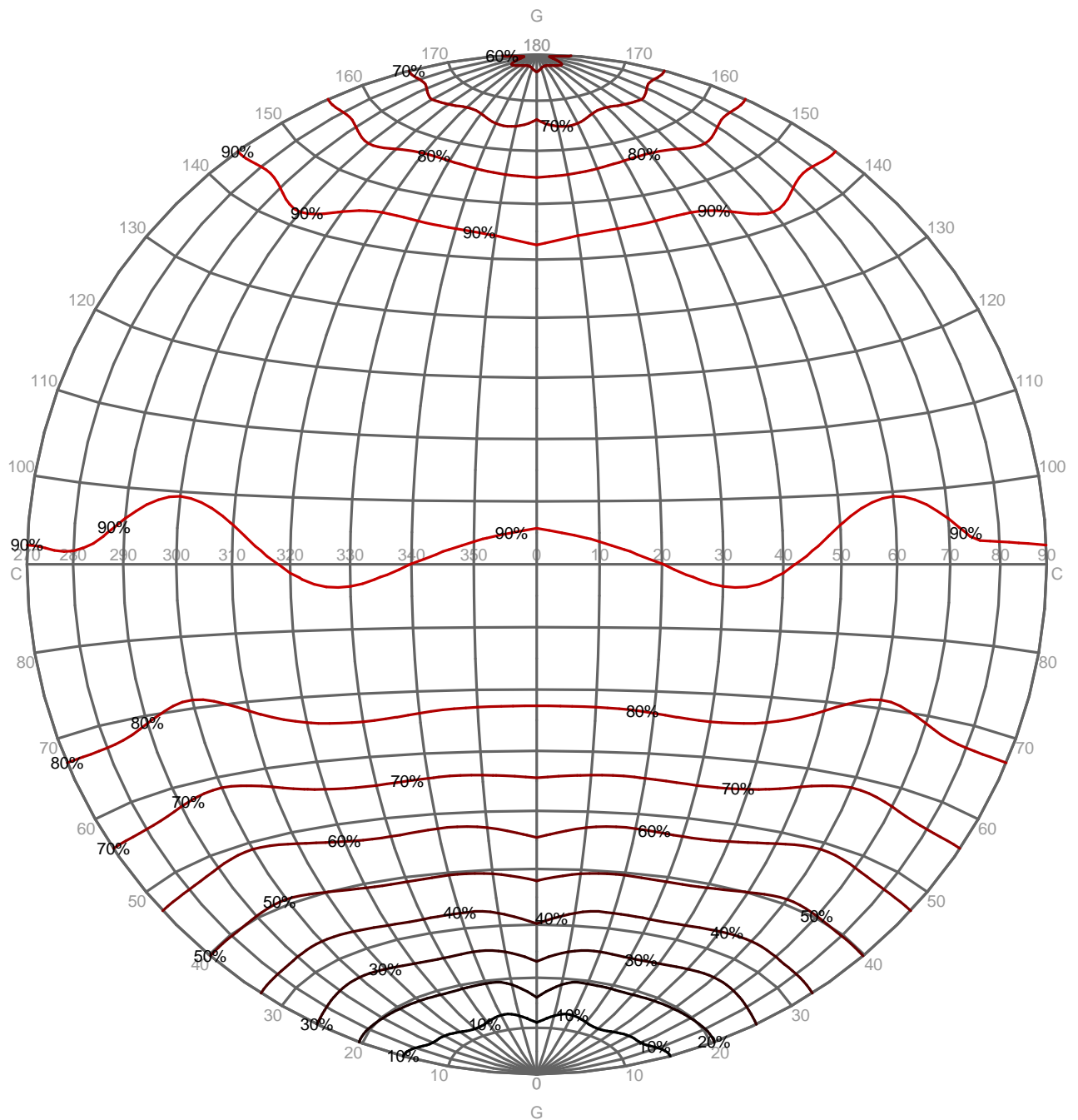
	C 260.00	C 270.00	C 280.00	C 290.00	C 300.00	C 310.00	C 320.00	C 330.00	C 340.00	C 350.00
G 0.0	95.35	95.35	95.35	95.35	95.35	95.35	95.35	95.35	95.35	95.35
G 5.0	163.43	124.58	163.42	183.38	176.90	162.84	194.10	237.06	215.84	177.52
G 10.0	378.21	287.30	378.27	439.80	420.12	478.38	528.86	497.77	414.19	425.28
G 15.0	712.52	648.37	712.63	800.58	836.87	870.35	887.91	863.84	815.27	917.76
G 20.0	1214.15	1235.47	1214.25	1215.75	1212.59	1216.33	1234.94	1243.95	1253.19	1351.87
G 25.0	1709.06	1816.71	1709.14	1612.85	1562.11	1573.63	1617.93	1651.20	1673.29	1768.64
G 30.0	2073.02	2190.85	2073.10	1966.02	1886.16	1883.24	1923.81	1959.14	1992.56	2109.53
G 35.0	2418.26	2572.24	2418.33	2286.78	2189.77	2174.95	2209.29	2249.73	2304.95	2450.21
G 40.0	2761.79	2959.13	2761.83	2591.62	2474.23	2478.77	2534.55	2586.96	2646.03	2799.37
G 45.0	3104.21	3356.04	3104.26	2892.20	2748.55	2739.01	2796.71	2859.66	2926.54	3116.54
G 50.0	3433.68	3735.56	3433.72	3181.90	3012.52	3004.19	3070.41	3143.24	3229.96	3434.11
G 55.0	3756.06	4105.76	3756.07	3470.18	3277.86	3271.77	3343.41	3424.44	3539.78	3762.71
G 60.0	4090.25	4515.74	4090.27	3754.54	3540.06	3521.55	3596.72	3692.99	3822.83	4085.97
G 65.0	4433.49	4918.91	4433.49	4052.87	3805.80	3791.70	3883.40	3995.99	4148.17	4438.17
G 70.0	4789.37	5343.30	4789.37	4359.07	4074.78	4057.25	4151.01	4268.18	4451.67	4778.54
G 75.0	5160.89	5809.93	5160.88	4670.33	4353.20	4323.24	4419.48	4552.47	4765.99	5138.27
G 80.0	5559.53	6315.55	5559.51	5000.10	4645.14	4612.98	4720.80	4874.10	5127.13	5543.49
G 85.0	5993.79	6876.76	5993.76	5355.78	4955.73	4913.45	5027.97	5198.11	5485.76	5962.90
G 90.0	6496.36	7521.49	6496.32	5770.71	5310.16	5257.17	5379.89	5566.44	5895.92	6450.49

Luminaire
 Code PX-0086-ANT
 Name Baliza 25W fluor E27 dif. opal
Measur.
 Code 55-9605
 Name Baliza 25W fluor E27 dif. opal

Luminaire Flux	1229.92 lm	Luminaire Power	23.00 W	Efficacy	53.47 lm/W	Efficiency	81.99%
Lamps Flux	1500.00 lm	Maximum value	82.64 cd/klm	Position	C=30.00 G=120.00	CG	Asymmetrical

PERCENTAGE ISOCANDLES

Projection: Equal Area Tilting Angle:0°



Luminaire

Code PX-0086-ANT
 Name Baliza 25W fluor E27 dif. opal

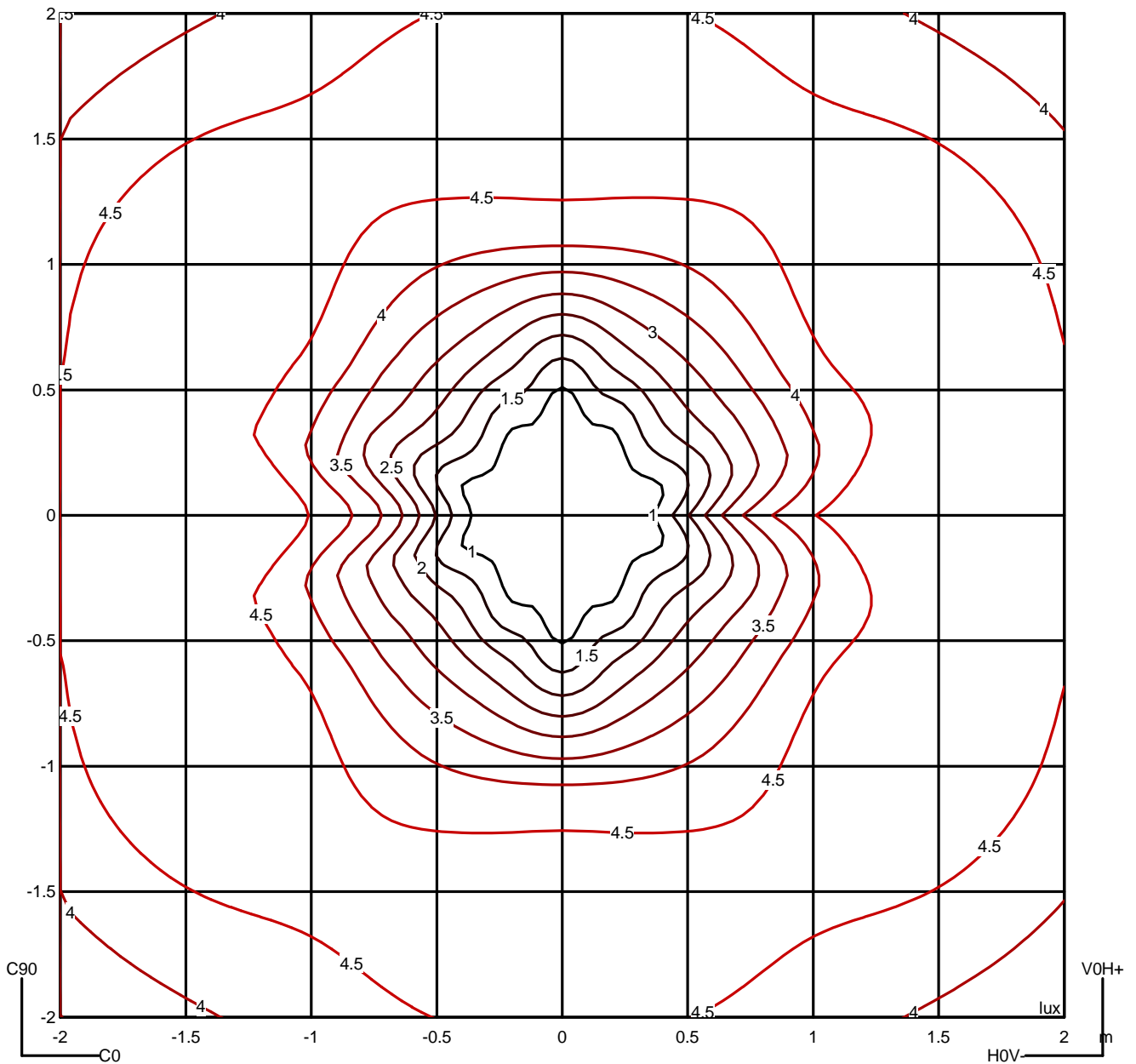
Measur.

Code 55-9605
 Name Baliza 25W fluor E27 dif. opal

Luminaire Flux	1229.92 lm	Luminaire Power	23.00 W	Efficacy	53.47 lm/W	Efficiency	81.99%
Lamps Flux	1500.00 lm	Maximum value	82.64 cd/klm	Position	C=30.00 G=120.00	CG	Asymmetrical

Isolux (Floor)

Luminaire position X=0.00m Y=0.00m Z=2.50m



Luminaire

Code PX-0086-ANT
 Name Baliza 25W fluor E27 dif. opal

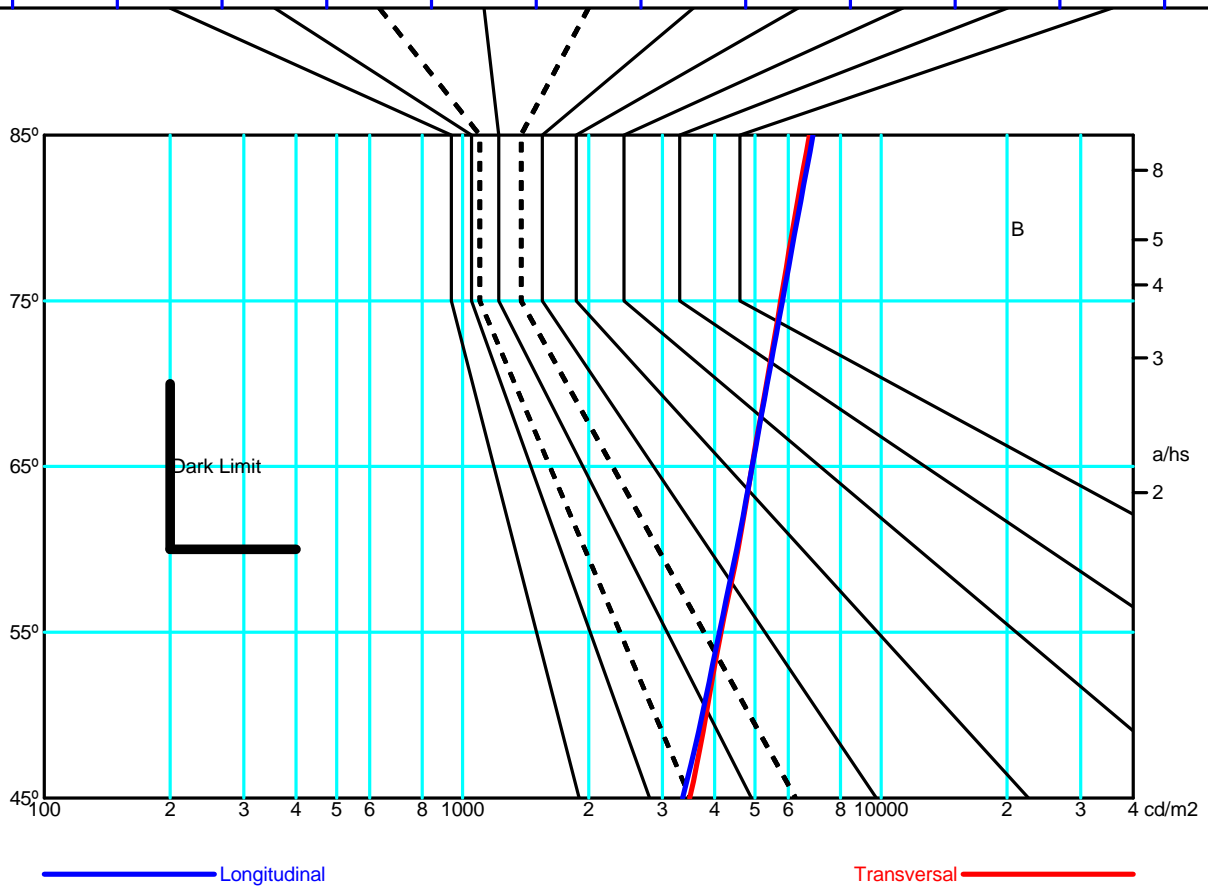
Measur.

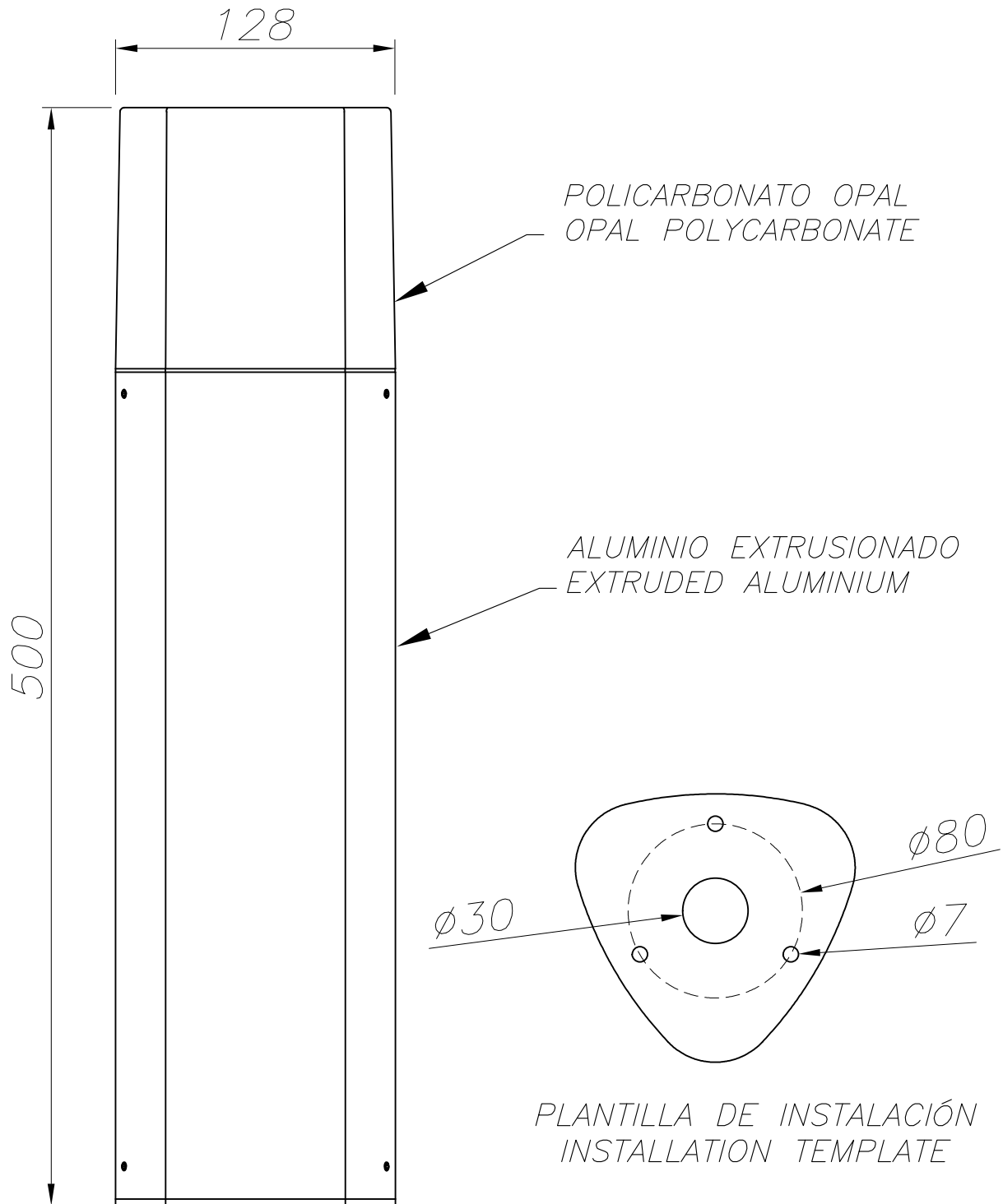
Code 55-9605
 Name Baliza 25W fluor E27 dif. opal

Luminaire Flux	1229.92 lm	Luminaire Power	23.00 W	Efficacy	53.47 lm/W	Efficiency	81.99%
Lamps Flux	1500.00 lm	Maximum value	82.64 cd/klm	Position	C=30.00 G=120.00	CG	Asymmetrical

		Average Luminance [cd/m ²]									
		45°	50°	55°	60°	65°	70°	75°	80°	85°	
0.0°		3487	3813	4143	4551	4913	5322	5755	6216	6743	---
90.0°		3356	3736	4106	4516	4919	5343	5810	6316	6877	---

Flush mounted or transversal view												
		Illumination(Ix)										
A	A	2000	1000	750	500		<300				1.15	
B	1		2000	1500	1000	750	500	<300			1.5	
C					2000		1000	500	<300		1.85	
D	2						2000	1000	500	<300	2.2	
E	3							2000	1000	500	<300	2.55



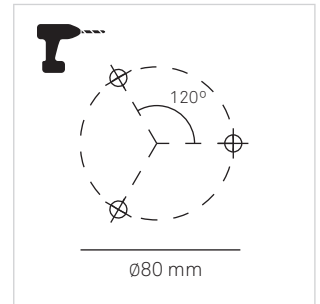




Mandela

PX-0086 PX-0087

FOR
LIGHT



1. Turn the switch OFF. Remove the top cap and the middle ring of the fixture.

2. Remove the bottom ring of the fixture.

3. Connect the power wires to the terminal block on the base. Tighten the screws.

4. Insert the E-27 light bulb into the socket.

5. Connect the power wires to the terminal block on the base. Tighten the screws.

6. Connect the power wires to the terminal block on the base. Tighten the screws.

7. Connect the power wires to the terminal block on the base. Tighten the screws.

8. Reattach the bottom ring and the middle ring of the fixture.

9. Turn the switch ON. The light fixture is now installed and ready to use.

