

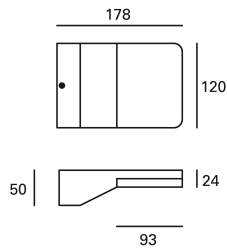


Serenate

PX-0254-NEG

Aplique IP44 Serenate LED 7.6W 3000K Preto 574lm

CARACTERÍSTICAS TÉCNICAS



IP44 IK10



Potência (W) : 7.6W

Consumo total da luminária (W) : 8.5W

Lúmenes reais : 574

Lm/W reais : 68

Temperatura da cor : Branco quente - 3000K

Ângulo Óticas / Refletor : HORIZONTAL 115°

Material da estrutura : Alumínio

Acabamento estrutura : Preto

Material do difusor : Policarbonato

Acabamento difusor : Opala

Vida útil : 36.000h L70B30

Equipamento incluído : Sim, eletrônico

Tensão / Frequência : 100-240V/50-60Hz

Garantia : 5 Anos

Temperatura máx. : 25°C

Eficiência energética : LED A++

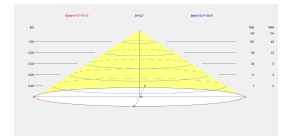
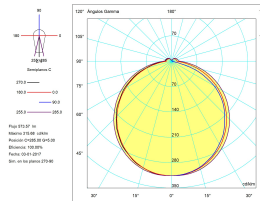
CARACTERÍSTICAS LUMINOTÉCNICAS

Fonte de luz: LED OSRAM

CRI: 80

MacAdam steps: 3

Risco fotobiológico: RG1



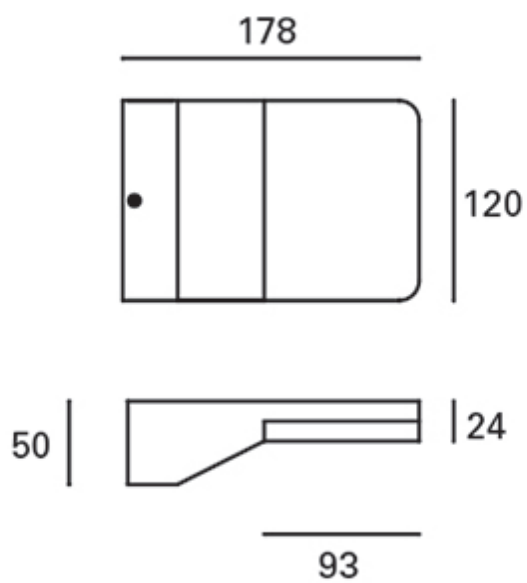
LOGÍSTICA

Peso líquido (kg): 0.5

Peso embalado (kg): 0.68

Embalagem: 215mm x 70mm x 155mm





Luminaire

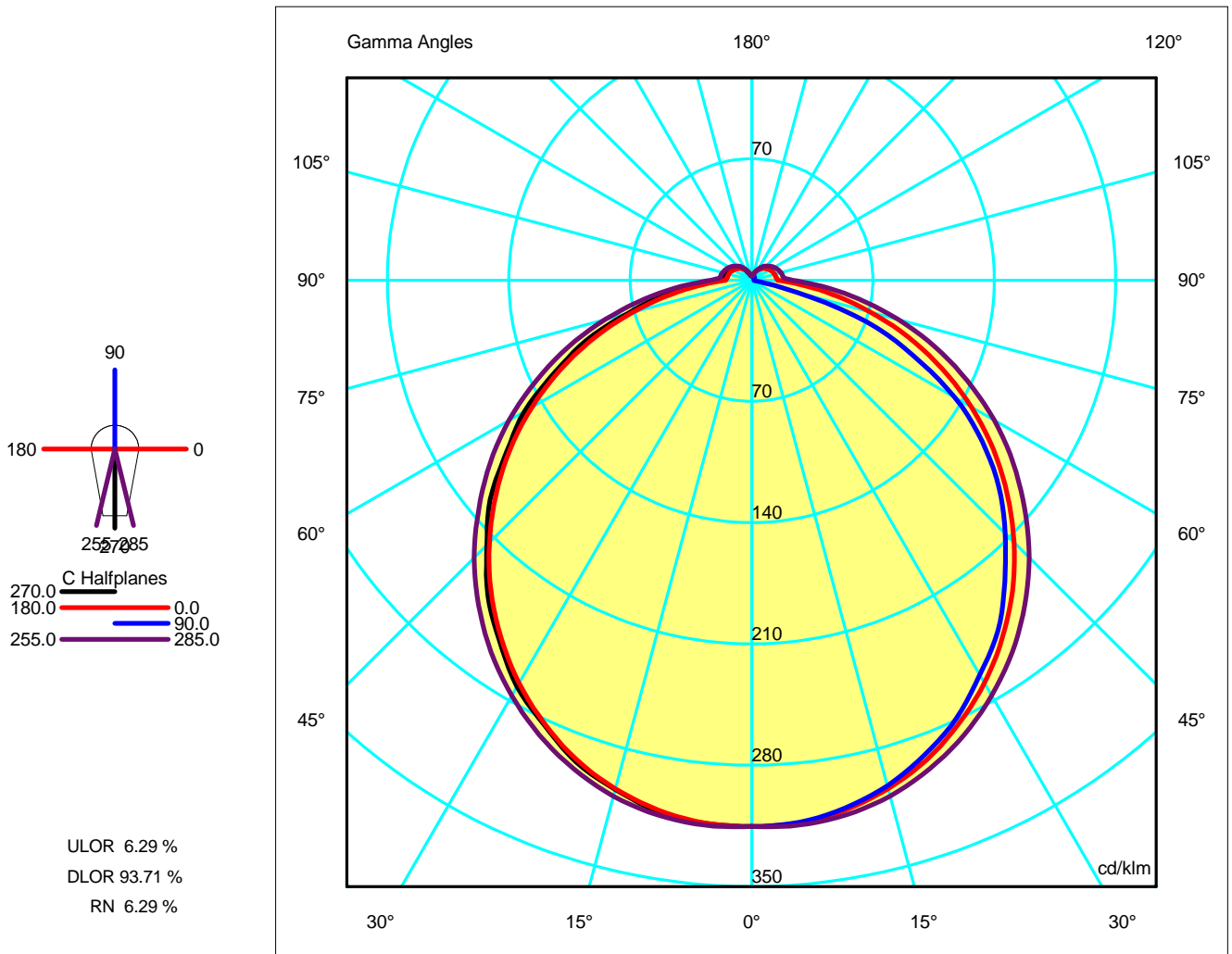
Code PX-0254-NEG
 Name Aplique SERENATE LED 7.6W 3K

Measur.

Code CL116A17F006G
 Name Aplique SERENATE LED 7.6W 3K

Luminaire Flux	573.57 lm	Luminaire Power	8.35 W	Efficacy	68.69 lm/W	Efficiency	100.00%
Lamps Flux	573.57 lm	Maximum value	315.68 cd/klm	Position	C=285.00 G=5.00	CG Sym. on planes 270-90	
Rectangular Luminaire		Length	178 mm	Width	120 mm	Height	50 mm
Rectangular Luminous Area		Length	93 mm	Width	120 mm	Height	12 mm
Horizontal Luminous Area	0.011160 m2			Emitting area on Plane 180°	0.001116 m2		
Emitting area on Plane 0°	0.001116 m2			Emitting area on Plane 270°	0.001440 m2		
Emitting area on Plane 90°	0.001440 m2			Glare area at 76°	0.003783 m2		
Coordinate system	CG Roads			Symmetry Type	Sym. on planes 270-90		
Date	03-01-2017			Maximum Gamma Angle	180		
Measurement Distance	0.00			Measurement Flux	573.57 lm		
Operator	Asselum T2			Source Voltage [V]			
Temperature	25.00 °C			Source current [A]			
Humidity	60.00 %			Photocell			
Notes							

Line	Luminaire Lamps				
	Code	Name	Flux [lm]	Pow. [W]	Q.ty
	PX-0254-NEG	PX-0254-NEG	573.57	8.35	1
C.I.E.	45 77 94 94 100	D DIN 5040	A31		





Luminaire

Code PX-0254-NEG
Name Aplique SERENATE LED 7.6W 3K

Measuram.

Code CL116A17F006G
Name Aplique SERENATE LED 7.6W 3K

Luminaire Flux	573.57 lm	Luminaire Power	8.35 W	Efficacy	68.69 lm/W	Efficiency	100.00%
Lamps Flux	573.57 lm	Maximum value	315.68 cd/klm	Position	C=285.00 G=5.00	CG	Sym. on planes 270-90

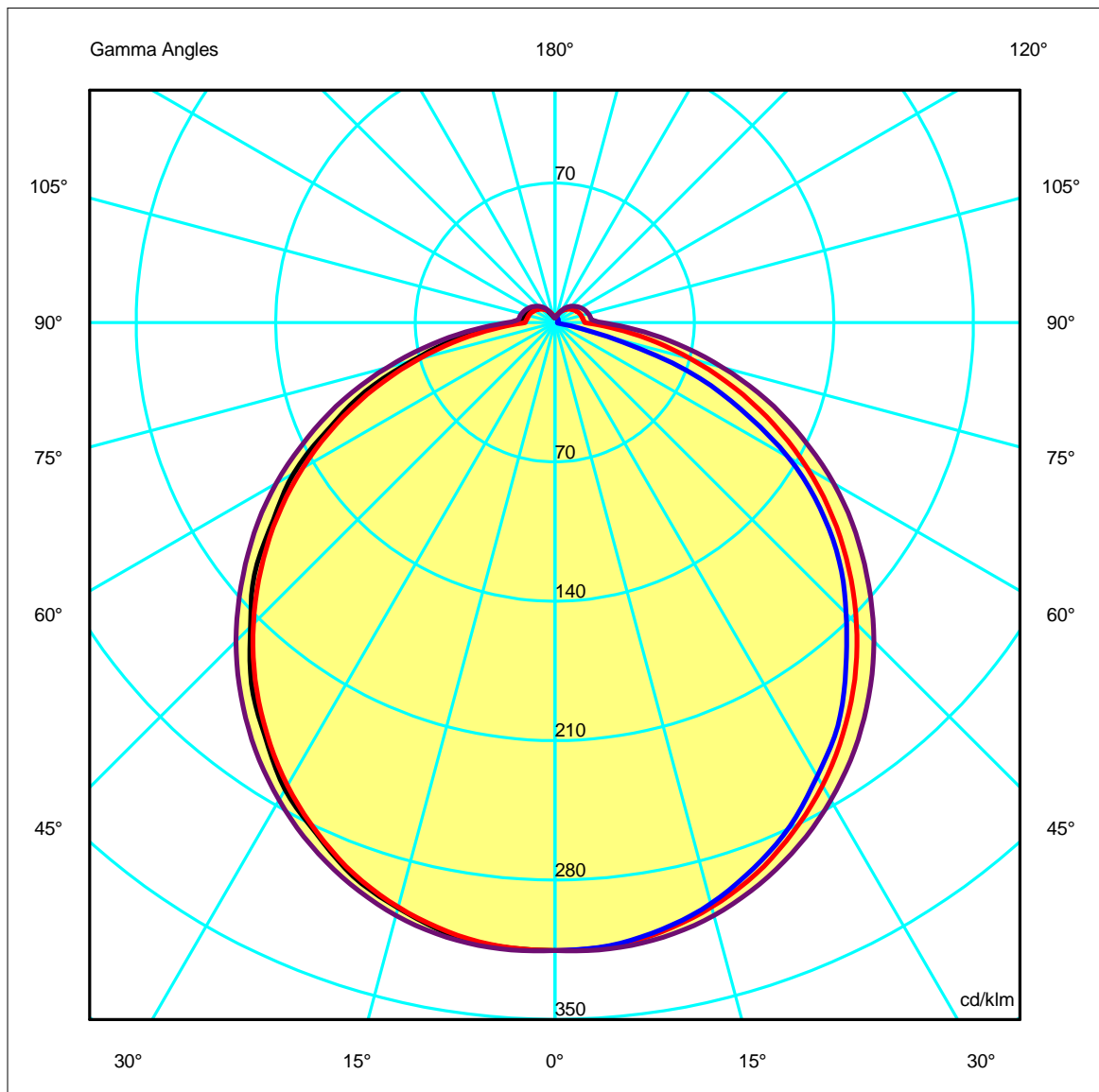
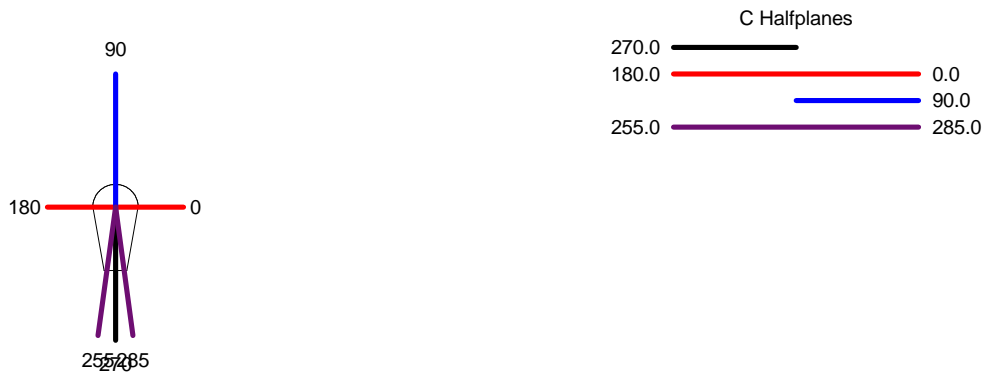
Luminous Intensity Table cd/klm Table 1/1

	C 270.00	C 285.00	C 300.00	C 315.00	C 330.00	C 345.00	C 0.00	C 15.00	C 30.00	C 45.00	C 60.00	C 75.00	C 90.00
G 0.0	315.33	315.33	315.33	315.33	315.33	315.33	315.33	315.33	315.33	315.33	315.33	315.33	315.33
G 5.0	314.58	315.68	314.79	315.40	314.57	314.88	314.38	313.12	313.93	313.45	314.00	313.08	314.05
G 10.0	311.35	313.34	311.23	313.00	310.49	311.67	310.48	309.25	310.74	308.52	310.00	307.54	309.34
G 15.0	304.21	308.22	304.97	307.51	304.38	306.25	303.82	301.26	303.79	300.51	302.95	299.01	302.08
G 20.0	295.93	300.09	296.18	299.52	294.55	297.08	294.68	292.10	295.17	290.12	292.87	287.91	291.52
G 25.0	283.16	289.63	284.59	289.18	283.94	286.97	282.47	278.53	282.37	276.84	280.29	273.86	279.09
G 30.0	270.77	276.79	271.23	276.03	268.87	272.65	268.46	264.87	269.01	261.13	265.63	257.79	263.09
G 35.0	253.69	262.01	255.33	261.29	254.07	257.87	252.02	246.48	251.33	244.10	248.67	240.30	247.36
G 40.0	236.87	244.95	237.73	244.06	234.65	239.15	233.98	229.56	234.58	224.79	230.07	220.59	227.07
G 45.0	215.95	226.28	218.58	225.04	215.97	221.47	213.92	207.35	213.10	203.91	209.49	200.11	206.64
G 50.0	196.86	205.50	197.66	205.07	194.04	198.94	192.49	186.47	193.12	181.98	188.47	177.65	186.15
G 55.0	172.35	184.18	175.72	183.14	173.54	178.64	170.03	162.17	168.39	159.12	165.99	154.18	162.28
G 60.0	151.29	161.47	151.98	160.11	148.11	153.61	146.18	139.48	146.25	133.65	140.36	125.44	135.18
G 65.0	124.64	137.04	127.89	136.05	123.84	131.06	121.30	112.57	119.40	107.86	113.28	96.48	102.57
G 70.0	101.31	112.68	102.82	110.84	98.39	103.96	95.94	87.55	95.72	79.77	82.88	57.23	70.48
G 75.0	74.06	87.20	77.97	86.13	74.75	80.65	70.81	62.15	68.09	49.87	48.74	22.70	27.24
G 80.0	52.83	62.84	54.30	61.94	50.22	55.10	47.39	40.45	44.04	23.79	19.24	5.12	1.58
G 85.0	31.04	40.85	34.25	40.43	30.68	35.15	27.80	20.96	22.03	12.26	9.23	3.61	1.19
G 90.0	17.84	23.69	20.33	23.75	18.75	18.36	14.93	13.63	12.08	9.39	6.44	3.25	1.19
G 95.0	16.89	18.37	19.39	19.67	18.34	16.44	14.29	13.44	11.81	9.30	6.40	3.20	1.27
G100.0	16.45	17.92	18.91	19.23	17.79	15.93	14.00	13.14	11.59	9.12	6.33	3.24	1.42
G105.0	15.79	17.25	18.20	18.62	17.24	15.42	13.60	12.81	11.24	8.86	6.13	3.17	1.49
G110.0	15.28	16.62	17.40	17.83	16.43	14.72	13.19	12.33	10.92	8.54	5.99	3.13	1.56
G115.0	14.52	15.80	16.49	16.96	15.53	13.94	12.63	11.73	10.44	8.22	5.78	3.06	1.71
G120.0	13.73	14.88	15.42	15.95	14.52	12.80	11.93	11.13	10.01	7.80	5.50	2.99	1.79
G125.0	12.77	13.84	14.28	14.90	13.29	11.86	11.22	10.41	9.43	7.33	5.21	2.96	1.94
G130.0	11.81	12.68	13.07	13.60	11.68	10.84	10.47	9.72	8.81	6.80	4.92	2.89	2.08
G135.0	10.64	11.59	11.66	12.16	10.10	10.01	9.60	8.90	8.06	6.28	4.61	2.83	2.23
G140.0	9.55	10.29	10.14	10.42	8.80	8.83	8.73	7.99	7.37	5.74	4.26	2.72	2.31
G145.0	8.02	8.88	8.23	8.53	7.52	7.96	7.73	7.09	6.59	5.16	3.96	2.65	2.38
G150.0	6.41	7.08	6.44	6.91	6.29	6.90	6.83	6.16	5.83	4.54	3.63	2.65	2.46
G155.0	4.86	5.43	5.06	5.59	5.25	5.93	5.84	5.23	4.96	3.99	3.35	2.69	2.53
G160.0	3.90	4.15	3.93	4.50	4.33	4.99	4.84	4.36	4.28	3.47	3.05	2.61	2.53
G165.0	3.16	3.41	3.12	3.61	3.56	4.10	3.87	3.56	3.54	3.06	2.87	2.65	2.68
G170.0	2.61	2.83	2.85	3.10	2.84	3.31	3.25	2.77	3.01	2.68	2.66	2.65	2.75
G175.0	2.45	2.55	2.52	2.70	2.57	2.61	2.57	2.56	2.56	2.57	2.54	2.53	2.46
G180.0	2.49	2.49	2.49	2.49	2.49	2.49	2.49	2.49	2.49	2.49	2.49	2.49	2.49

Luminaire

Code PX-0254-NEG
 Name Aplique SERENATE LED 7.6W 3K
Measurement.
 Code CL116A17F006G
 Name Aplique SERENATE LED 7.6W 3K

Luminaire Flux	573.57 lm	Luminaire Power	8.35 W	Efficacy	68.69 lm/W	Efficiency	100.00%
Lamps Flux	573.57 lm	Maximum value	315.68 cd/klm	Position	C=285.00 G=5.00	CG	Sym. on planes 270-90



Luminaire

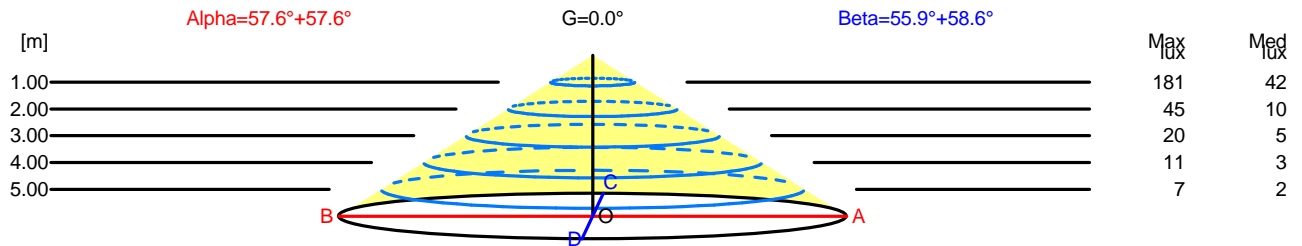
Code PX-0254-NEG
 Name Aplique SERENATE LED 7.6W 3K
Measur.
 Code CL116A17F006G
 Name Aplique SERENATE LED 7.6W 3K

Luminaire Flux	573.57 lm	Luminaire Power	8.35 W	Efficacy	68.69 lm/W	Efficiency	100.00%
Lamps Flux	573.57 lm	Maximum value	315.68 cd/klm	Position	C=285.00 G=5.00	CG	Sym. on planes 270-90

Width at 50.00 % of Max Intensity

H[m]	1.00	2.00	3.00	4.00	5.00	H[m]	1.00	2.00	3.00	4.00	5.00
OA	1.58	3.15	4.73	6.31	7.89	OC	1.48	2.96	4.43	5.91	7.39
OB	1.58	3.15	4.73	6.31	7.89	OD	1.64	3.27	4.91	6.54	8.18

	Luminous Intensities [cd/klm]									
	0	5	15	25	35	45	55	65	75	85
OA	180.86	180.32	174.26	162.02	144.55	122.70	97.52	69.58	40.61	15.94
OB	180.86	180.32	174.26	162.02	144.55	122.70	97.52	69.58	40.61	15.94
OC	180.86	180.13	173.26	160.08	141.88	118.52	93.08	58.83	15.63	0.68
OD	180.86	180.44	174.48	162.41	145.51	123.86	98.86	71.49	42.48	17.80



H[m]	D[m]	Max lux	Med lux	Alpha=57.6°+57.6°	G=0.0
1.00	3.15	181	42		
2.00	6.31	45	10		
3.00	9.46	20	5		
4.00	12.62	11	3		
5.00	15.77	7	2		

H[m]	D[m]	Max lux	Med lux	Beta=58.6°+55.9°	G=0.0
1.00	3.11	181	42		
2.00	6.23	45	10		
3.00	9.34	20	5		
4.00	12.45	11	3		
5.00	15.56	7	2		

Luminaire

Code PX-0254-NEG
Name Aplique SERENATE LED 7.6W 3K

Measurement

Code CL116A17F006G
Name Aplique SERENATE LED 7.6W 3K

Luminaire Flux	573.57 lm	Luminaire Power	8.35 W	Efficacy	68.69 lm/W	Efficiency	100.00%
Lamps Flux	573.57 lm	Maximum value	315.68 cd/klm	Position	C=285.00 G=5.00	CG	Sym. on planes 270-90

UGR
S = 0.250

Reflectancies										
Ceiling/Cavity	0.7	0.7	0.5	0.5	0.3	0.7	0.7	0.5	0.5	0.3
Walls	0.5	0.3	0.5	0.3	0.3	0.5	0.3	0.5	0.3	0.3
WorkingPlane	0.2	0.2	0.2	0.2	0.2	0.2	0.2	0.2	0.2	0.2
RoomDimensions	ViewedCrosswise					ViewedEndwise				
x=2H y=2H	21.0	22.3	21.4	22.6	23.3	21.3	22.6	21.7	22.9	23.3
x=2H y=3H	22.6	23.8	23.0	24.1	25.0	23.1	24.2	23.5	24.6	25.0
x=2H y=4H	23.3	24.4	23.7	24.8	25.7	23.8	24.9	24.3	25.3	25.7
x=2H y=6H	23.8	24.8	24.3	25.2	26.3	24.4	25.4	24.9	25.8	26.3
x=2H y=8H	24.0	25.0	24.5	25.4	26.5	24.7	25.6	25.1	26.0	26.5
x=2H y=12H	24.2	25.1	24.6	25.5	26.7	24.8	25.7	25.3	26.2	26.7
x=4H y=2H	21.7	22.8	22.1	23.2	24.0	22.1	23.1	22.5	23.5	24.0
x=4H y=3H	23.5	24.4	24.0	24.9	25.8	24.0	24.9	24.5	25.3	25.8
x=4H y=4H	24.3	25.1	24.8	25.6	26.6	24.9	25.7	25.3	26.1	26.6
x=4H y=6H	24.9	25.7	25.5	26.1	27.3	25.6	26.3	26.1	26.8	27.3
x=4H y=8H	25.2	25.8	25.7	26.4	27.6	25.9	26.6	26.5	27.1	27.6
x=4H y=12H	25.4	26.0	26.0	26.5	27.9	26.2	26.8	26.7	27.3	27.9
x=8H y=4H	24.6	25.2	25.1	25.7	26.9	25.2	25.9	25.7	26.4	26.9
x=8H y=6H	25.4	25.9	25.9	26.4	27.8	26.1	26.6	26.7	27.2	27.8
x=8H y=8H	25.7	26.2	26.3	26.7	28.2	26.5	27.0	27.1	27.6	28.2
x=8H y=12H	26.0	26.4	26.6	27.0	28.5	26.9	27.3	27.5	27.9	28.5
x=12H y=4H	24.6	25.2	25.1	25.7	26.9	25.2	25.8	25.8	26.3	26.9
x=12H y=6H	25.4	25.9	26.0	26.5	27.8	26.2	26.7	26.8	27.2	27.8
x=12H y=8H	25.8	26.2	26.4	26.8	28.3	26.7	27.1	27.3	27.6	28.3

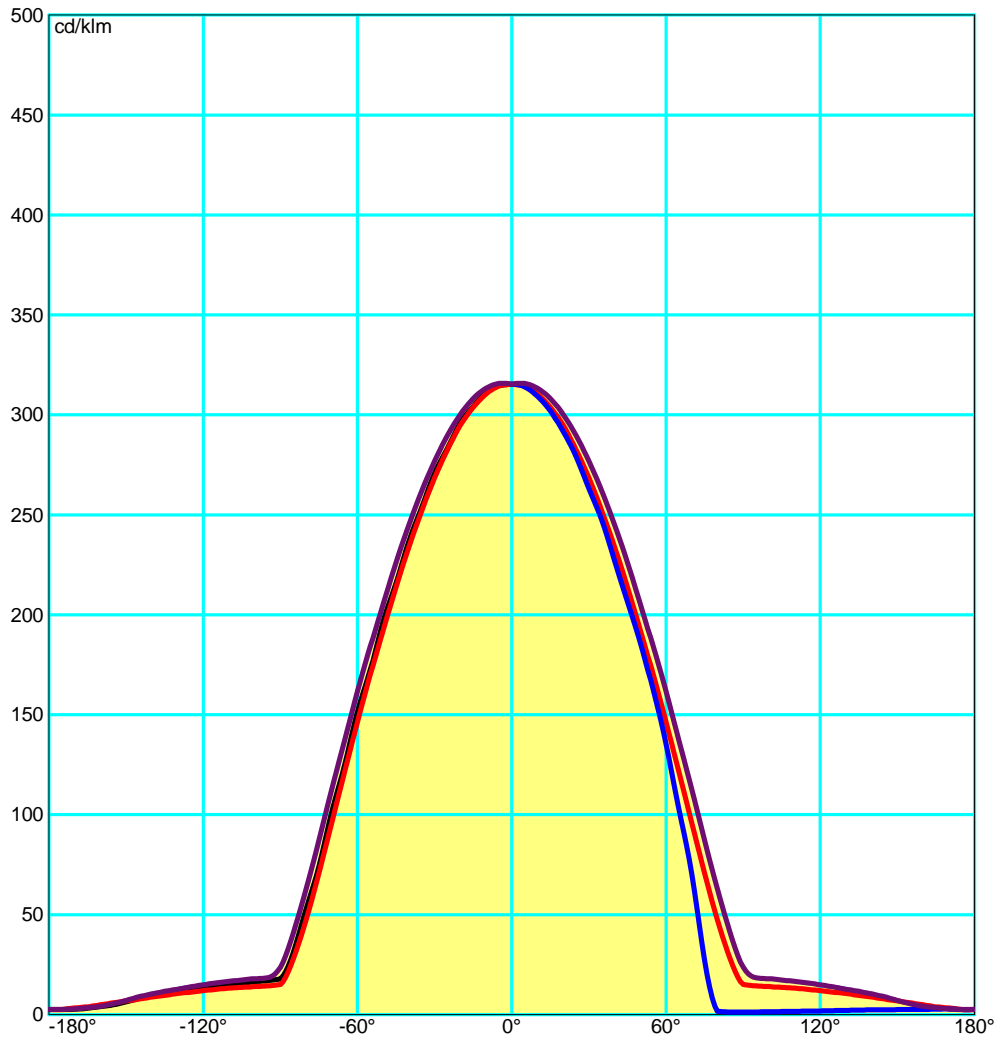
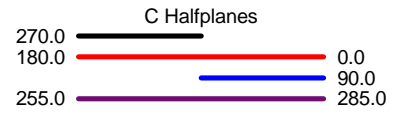
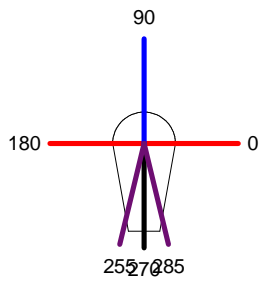
Luminaire

Code PX-0254-NEG
 Name Aplique SERENATE LED 7.6W 3K

Measur.

Code CL116A17F006G
 Name Aplique SERENATE LED 7.6W 3K

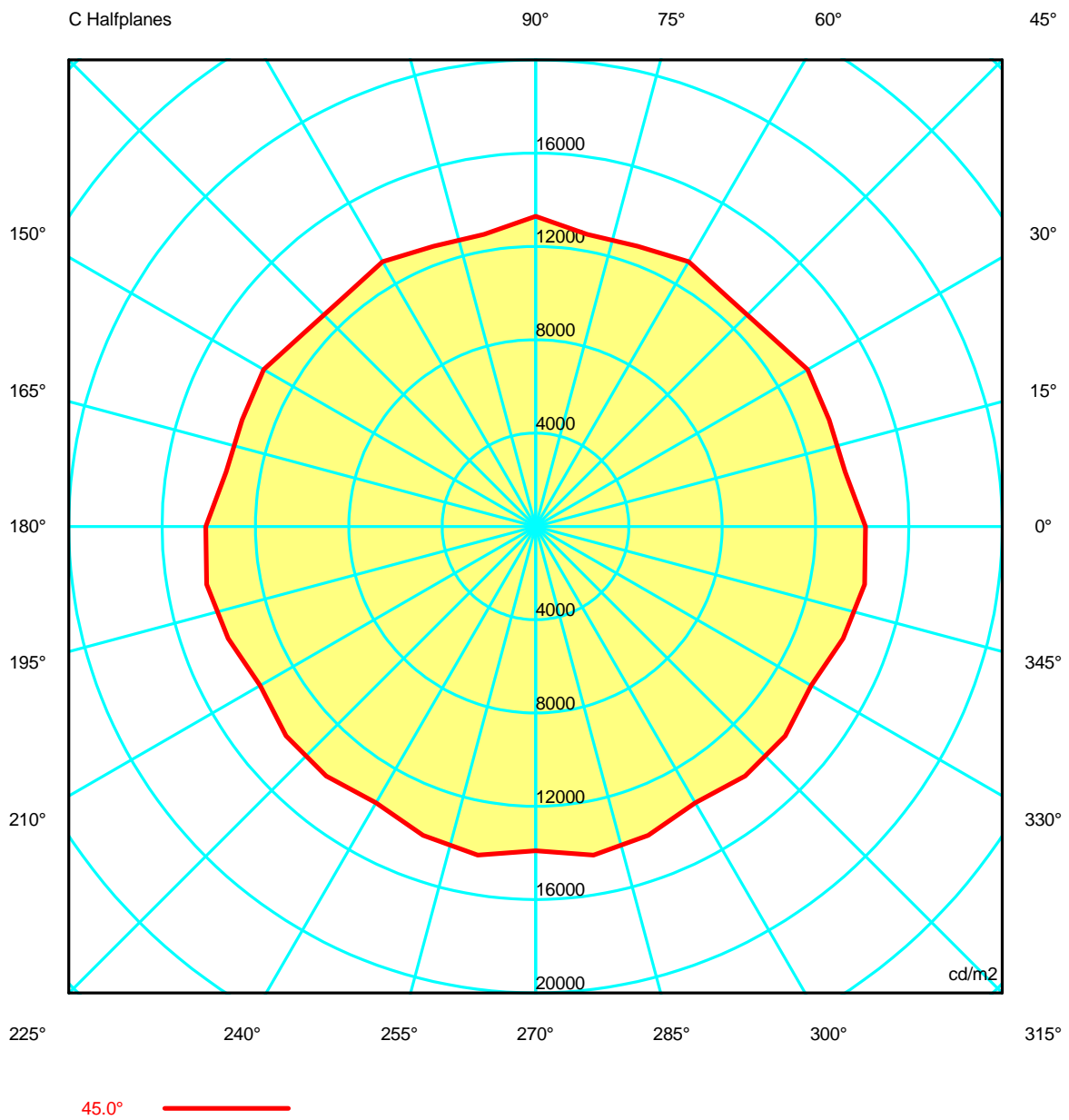
Luminaire Flux	573.57 lm	Luminaire Power	8.35 W	Efficacy	68.69 lm/W	Efficiency	100.00%
Lamps Flux	573.57 lm	Maximum value	315.68 cd/klm	Position	C=285.00 G=5.00	CG	Sym. on planes 270-90



Luminaire
 Code PX-0254-NEG
 Name Aplique SERENATE LED 7.6W 3K
Measur.
 Code CL116A17F006G
 Name Aplique SERENATE LED 7.6W 3K

Luminaire Flux	573.57 lm	Luminaire Power	8.35 W	Efficacy	68.69 lm/W	Efficiency	100.00%
Lamps Flux	573.57 lm	Maximum value	315.68 cd/klm	Position	C=285.00 G=5.00	CG	Sym. on planes 270-90

Luminance





Luminaire

Code PX-0254-NEG
Name Applique SERENATE LED 7.6W 3K

Measurerm.

Code CL116A17F006G
Name Applique SERENATE LED 7.6W 3K

Luminaire Flux	573.57 lm	Luminaire Power	8.35 W	Efficacy	68.69 lm/W	Efficiency	100.00%
Lamps Flux	573.57 lm	Maximum value	315.68 cd/klm	Position	C=285.00 G=5.00	CG	Sym. on planes 270-90

Luminance cd/m2 Table 1/3

	C 0.00	C 10.00	C 20.00	C 30.00	C 40.00	C 50.00	C 60.00	C 70.00	C 80.00	C 90.00	C 100.00	C 110.00	C 120.00
G 0.0	16206.36	16206.36	16206.36	16206.36	16206.36	16206.36	16206.36	16206.36	16206.36	16206.36	16206.36	16206.36	16206.36
G 5.0	16078.44	15997.14	15971.05	15984.94	15955.88	15952.33	15973.74	15949.36	15955.23	16021.52	15955.23	15949.36	15973.74
G 10.0	15922.38	15803.09	15785.08	15795.86	15689.23	15669.62	15729.63	15661.97	15653.23	15784.92	15653.23	15661.97	15729.63
G 15.0	15743.82	15534.65	15503.53	15535.00	15376.69	15352.49	15449.94	15337.82	15322.15	15535.95	15322.15	15337.82	15449.94
G 20.0	15551.04	15304.60	15274.65	15302.10	15066.48	15009.67	15127.58	14986.32	14964.12	15228.84	14964.12	14986.32	15127.58
G 25.0	15304.69	14961.62	14915.22	14958.71	14688.18	14635.11	14780.05	14586.23	14562.72	14928.24	14562.72	14586.23	14780.05
G 30.0	15062.16	14691.14	14654.61	14683.71	14300.03	14219.15	14417.68	14178.52	14122.42	14530.58	14122.42	14178.52	14417.68
G 35.0	14777.38	14279.35	14202.07	14259.79	13882.09	13810.37	14014.54	13743.24	13713.03	14234.09	13713.03	13743.24	14014.54
G 40.0	14482.86	13980.67	13930.55	13967.11	13451.66	13335.01	13590.96	13275.16	13202.60	13745.95	13202.60	13275.16	13590.96
G 45.0	14134.71	13468.93	13380.50	13455.36	12933.00	12822.97	13106.42	12780.73	12712.80	13302.63	12712.80	12780.73	13106.42
G 50.0	13752.24	13039.67	12983.33	13084.83	12422.10	12280.09	12633.98	12218.51	12138.04	12900.34	12138.04	12218.51	12633.98
G 55.0	13331.32	12438.89	12305.44	12410.02	11778.24	11698.34	12082.50	11584.45	11458.12	12278.09	11458.12	11584.45	12082.50
G 60.0	12807.63	11869.10	11799.47	11914.74	11024.20	10845.69	11270.21	10540.26	10317.11	11357.04	10317.11	10540.26	11270.21
G 65.0	12147.08	10930.89	10801.38	10966.71	10049.57	9849.90	10228.72	9299.01	8865.92	9770.29	8865.92	9299.01	10228.72
G 70.0	11309.69	9920.64	9893.10	10164.17	8799.83	8378.68	8622.56	6827.92	6113.68	7819.39	6113.68	6827.92	8622.56
G 75.0	10239.60	8580.45	8495.27	8645.34	6888.65	6108.79	6035.20	3875.31	2625.00	3651.66	2625.00	3875.31	6035.20
G 80.0	8949.32	7181.01	7060.65	7019.31	4730.26	3236.91	2969.74	1559.31	640.61	270.35	640.61	1559.31	2969.74
G 85.0	7649.63	5445.23	4916.43	4763.61	3257.04	2181.20	1910.77	1176.72	520.98	283.79	520.98	1176.72	1910.77
G 90.0	7675.80	5892.83	4938.89	4107.32	3331.80	2658.88	2045.67	1400.38	869.39	474.41	869.39	1400.38	2045.67



Luminaire

Code PX-0254-NEG
 Name Aplique SERENATE LED 7.6W 3K

Measurerm.

Code CL116A17F006G
 Name Aplique SERENATE LED 7.6W 3K

Luminaire Flux	573.57 lm	Luminaire Power	8.35 W	Efficacy	68.69 lm/W	Efficiency	100.00%
Lamps Flux	573.57 lm	Maximum value	315.68 cd/klm	Position	C=285.00 G=5.00	CG	Sym. on planes 270-90

Luminance cd/m2 Table 2/3

	C 130.00	C 140.00	C 150.00	C 160.00	C 170.00	C 180.00	C 190.00	C 200.00	C 210.00	C 220.00	C 230.00	C 240.00	C 250.00
G 0.0	16206.36	16206.36	16206.36	16206.36	16206.36	16206.36	16206.36	16206.36	16206.36	16206.36	16206.36	16206.36	16206.36
G 5.0	15952.33	15955.88	15984.94	15971.05	15997.14	16078.44	16076.10	16043.04	16017.56	16038.93	16034.59	16013.70	16054.65
G 10.0	15669.62	15689.23	15795.86	15785.08	15803.09	15922.38	15925.08	15852.67	15783.30	15856.87	15857.04	15791.85	15880.80
G 15.0	15352.49	15376.69	15535.00	15503.53	15534.65	15743.82	15775.01	15677.25	15565.26	15653.60	15642.99	15552.94	15694.70
G 20.0	15009.67	15066.48	15302.10	15274.65	15304.60	15551.04	15562.77	15414.49	15269.98	15418.39	15425.11	15298.31	15468.55
G 25.0	14635.11	14688.18	14958.71	14915.22	14961.62	15304.69	15380.27	15230.25	15041.96	15199.38	15177.55	15006.94	15232.89
G 30.0	14219.15	14300.03	14683.71	14654.61	14691.14	15062.16	15111.70	14902.80	14675.90	14900.76	14914.09	14721.73	14975.82
G 35.0	13810.37	13882.09	14259.79	14202.07	14279.35	14777.38	14882.92	14670.63	14415.72	14650.94	14628.23	14389.90	14708.73
G 40.0	13335.01	13451.66	13967.11	13930.55	13980.67	14482.86	14549.55	14266.73	13971.35	14302.12	14320.19	14043.40	14399.94
G 45.0	12822.97	12933.00	13455.36	13380.50	13468.93	14134.71	14312.44	14018.83	13636.57	13960.85	13968.73	13675.37	14089.00
G 50.0	12280.09	12422.10	13084.83	12983.33	13039.67	13752.24	13873.93	13517.93	13147.10	13592.33	13621.24	13249.82	13687.91
G 55.0	11698.34	11778.24	12410.02	12305.44	12438.89	13331.32	13574.27	13232.76	12789.81	13195.33	13177.29	12790.49	13320.99
G 60.0	10845.69	11024.20	11914.74	11799.47	11869.10	12807.63	13007.68	12555.31	12066.36	12654.98	12685.99	12203.69	12828.78
G 65.0	9849.90	10049.57	10966.71	10801.38	10930.89	12147.08	12565.86	12053.16	11374.62	12038.19	12099.04	11547.59	12243.33
G 70.0	8378.68	8799.83	10164.17	9893.10	9920.64	11309.69	11663.80	11073.68	10447.15	11254.30	11315.94	10697.49	11540.03
G 75.0	6108.79	6888.65	8645.34	8495.27	8580.45	10239.60	10880.75	10288.54	9490.67	10366.71	10396.77	9655.11	10613.17
G 80.0	3236.91	4730.26	7019.31	7060.65	7181.01	8949.32	9541.92	8815.17	8003.34	9167.74	9268.23	8382.16	9454.66
G 85.0	2181.20	3257.04	4763.61	4916.43	5445.23	7649.63	8487.77	7656.12	6633.93	7919.43	8058.87	7090.58	8251.99
G 90.0	2658.88	3331.80	4107.32	4938.89	5892.83	7675.80	7449.94	6881.92	6378.27	7306.34	7225.25	6460.49	7518.06

Luminaire

Code PX-0254-NEG
Name Aplique SERENATE LED 7.6W 3K

Measurment

Code CL116A17F006G
Name Aplique SERENATE LED 7.6W 3K

Luminaire Flux	573.57 lm	Luminaire Power	8.35 W	Efficacy	68.69 lm/W	Efficiency	100.00%
Lamps Flux	573.57 lm	Maximum value	315.68 cd/klm	Position	C=285.00 G=5.00	CG	Sym. on planes 270-90

Luminance cd/m2 Table 3/3

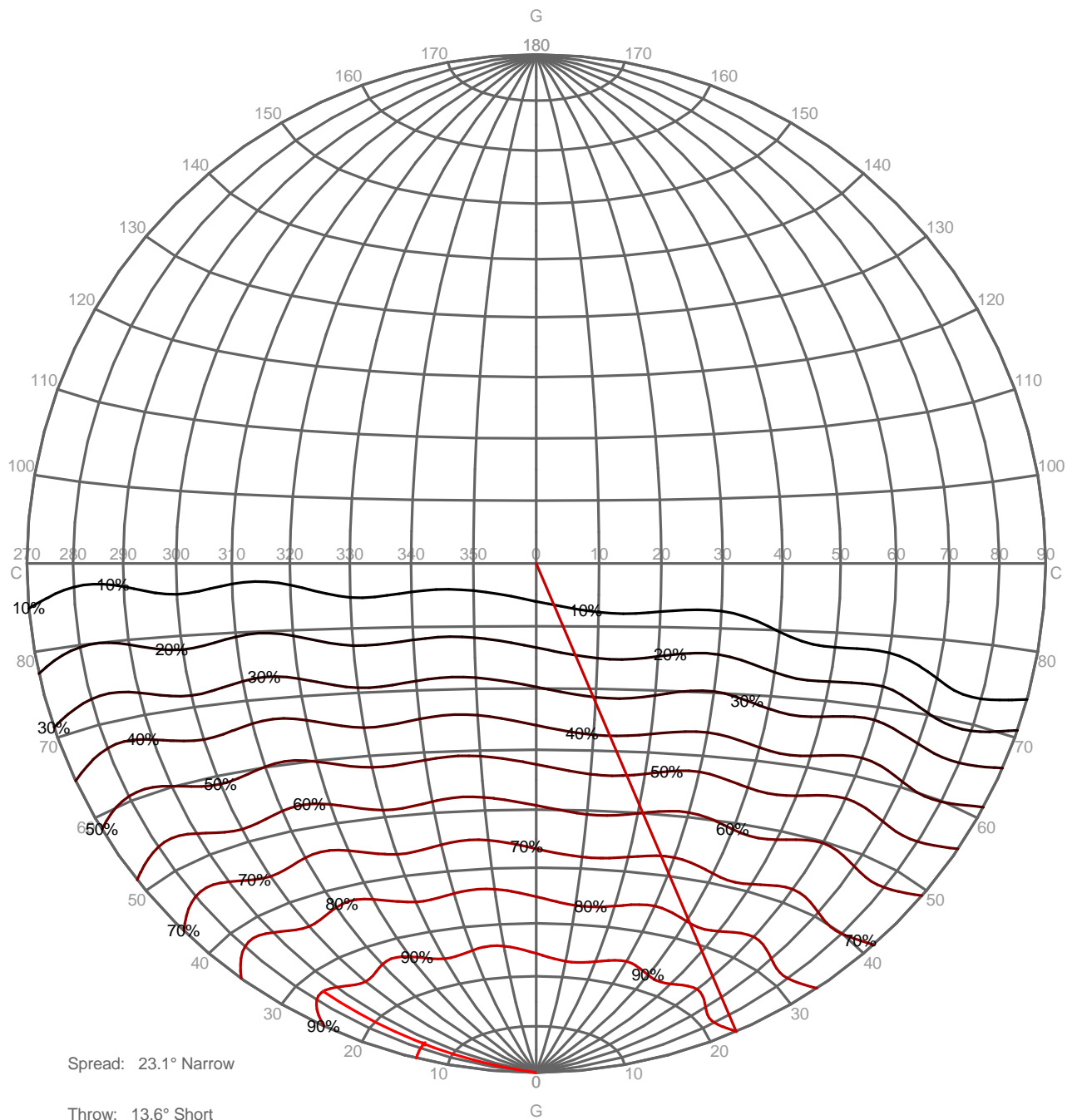
	C 260.00	C 270.00	C 280.00	C 290.00	C 300.00	C 310.00	C 320.00	C 330.00	C 340.00	C 350.00
G 0.0	16206.36	16206.36	16206.36	16206.36	16206.36	16206.36	16206.36	16206.36	16206.36	16206.36
G 5.0	16077.24	16048.64	16077.24	16054.65	16013.70	16034.59	16038.93	16017.56	16043.04	16076.10
G 10.0	15940.50	15887.16	15940.50	15880.80	15791.85	15857.04	15856.87	15783.30	15852.67	15925.08
G 15.0	15767.93	15645.42	15767.93	15694.70	15552.94	15642.99	15653.60	15565.26	15677.25	15775.01
G 20.0	15576.83	15459.49	15576.83	15468.55	15298.31	15425.11	15418.39	15269.98	15414.49	15562.77
G 25.0	15352.61	15146.35	15352.61	15232.89	15006.94	15177.55	15199.38	15041.96	15230.25	15380.27
G 30.0	15136.44	14955.26	15136.44	14975.82	14721.73	14914.09	14900.76	14675.90	14902.80	15111.70
G 35.0	14881.98	14598.19	14881.98	14708.73	14389.90	14628.23	14650.94	14415.72	14670.63	14882.92
G 40.0	14617.56	14339.36	14617.56	14399.94	14043.40	14320.19	14302.12	13971.35	14266.73	14549.55
G 45.0	14299.11	13902.08	14299.11	14089.00	13675.37	13968.73	13960.85	13636.57	14018.83	14312.44
G 50.0	13972.01	13642.15	13972.01	13687.91	13249.82	13621.24	13592.33	13147.10	13517.93	13873.93
G 55.0	13580.92	13040.41	13580.92	13320.99	12790.49	13177.29	13195.33	12789.81	13232.76	13574.27
G 60.0	13211.14	12710.10	13211.14	12828.78	12203.69	12685.99	12654.98	12066.36	12555.31	13007.68
G 65.0	12599.39	11872.50	12599.39	12243.33	11547.59	12099.04	12038.19	11374.62	12053.16	12565.86
G 70.0	12012.17	11239.65	12012.17	11540.03	10697.49	11315.94	11254.30	10447.15	11073.68	11663.80
G 75.0	11054.80	9926.27	11054.80	10613.17	9655.11	10396.77	10366.71	9490.67	10288.54	10880.75
G 80.0	10079.25	9029.07	10079.25	9454.66	8382.16	9268.23	9167.74	8003.34	8815.17	9541.92
G 85.0	8828.89	7395.01	8828.89	8251.99	7090.58	8058.87	7919.43	6633.93	7656.12	8487.77
G 90.0	8151.93	7107.33	8151.93	7518.06	6460.49	7225.25	7306.34	6378.27	6881.92	7449.94

Luminaire
 Code PX-0254-NEG
 Name Aplique SERENATE LED 7.6W 3K
Measur.
 Code CL116A17F006G
 Name Aplique SERENATE LED 7.6W 3K

Luminaire Flux	573.57 lm	Luminaire Power	8.35 W	Efficacy	68.69 lm/W	Efficiency	100.00%
Lamps Flux	573.57 lm	Maximum value	315.68 cd/klm	Position	C=285.00 G=5.00	CG	Sym. on planes 270-90

PERCENTAGE ISOCANDLES

Projection: Equal Area SLI 6.8 Tight Tilting Angle:0°

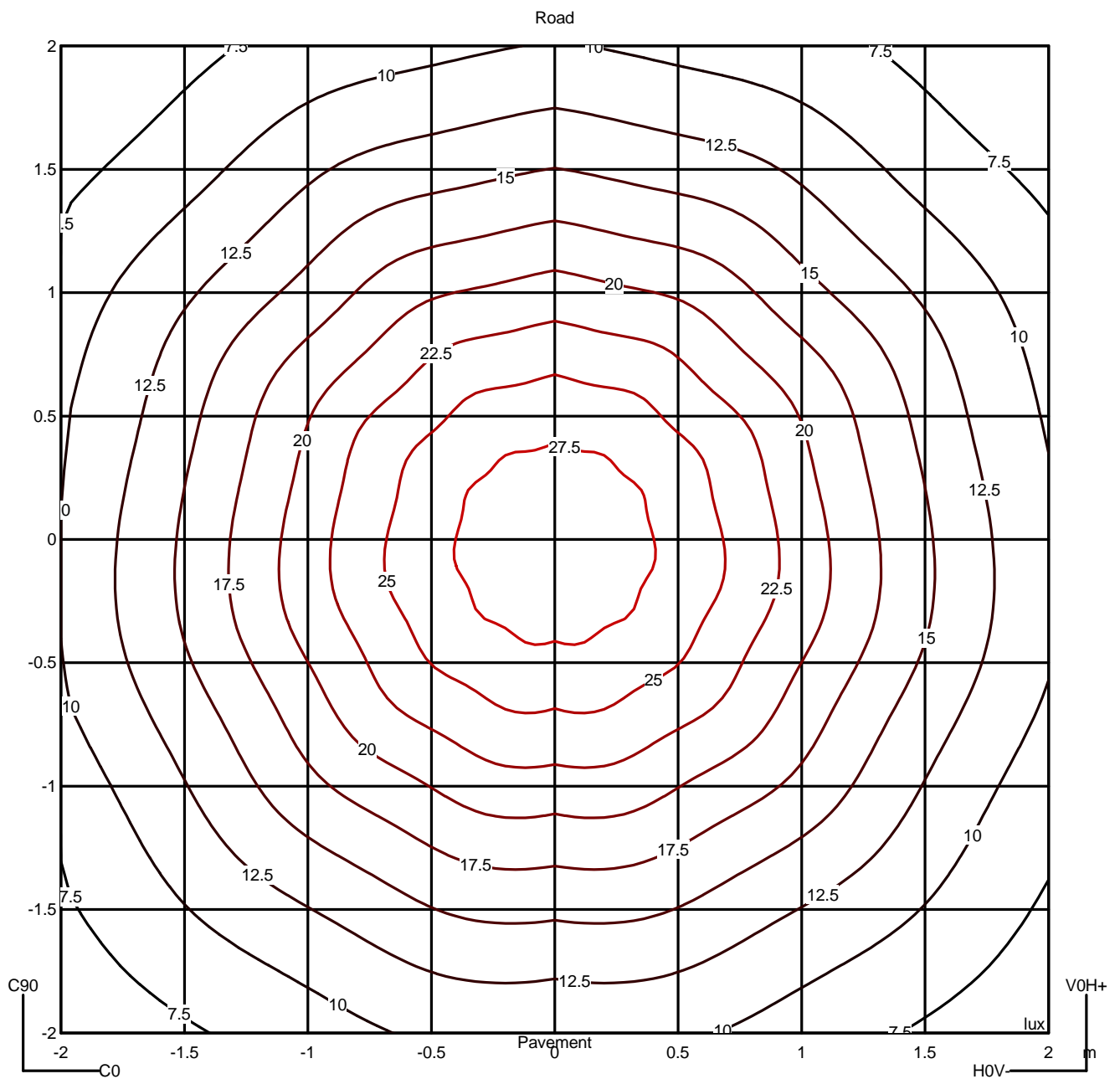


Luminaire
 Code PX-0254-NEG
 Name Aplique SERENATE LED 7.6W 3K
Measurum.
 Code CL116A17F006G
 Name Aplique SERENATE LED 7.6W 3K

Luminaire Flux	573.57 lm	Luminaire Power	8.35 W	Efficacy	68.69 lm/W	Efficiency	100.00%
Lamps Flux	573.57 lm	Maximum value	315.68 cd/klm	Position	C=285.00 G=5.00	CG	Sym. on planes 270-90

Isolux (Floor)

Luminaire position X=0.00m Y=0.00m Z=2.50m



Luminaire

Code PX-0254-NEG
 Name Aplique SERENATE LED 7.6W 3K

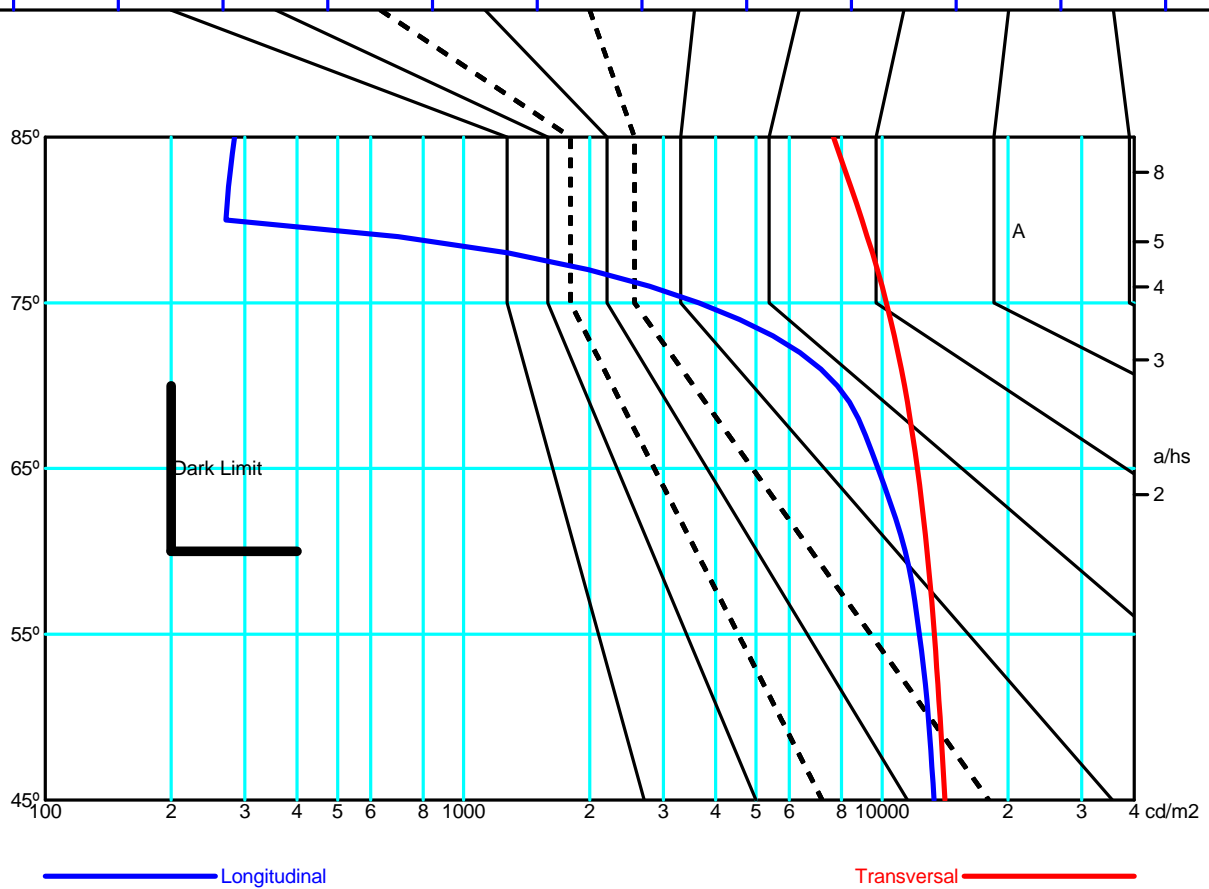
Measur.

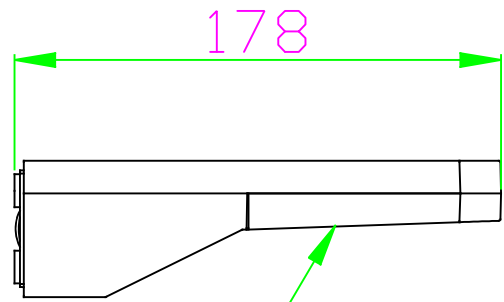
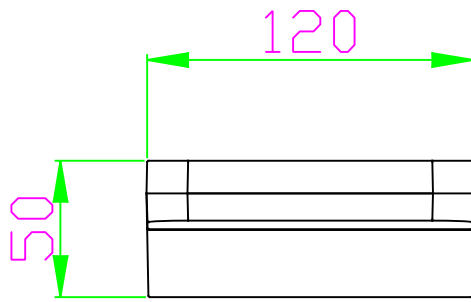
Code CL116A17F006G
 Name Aplique SERENATE LED 7.6W 3K

Luminaire Flux	573.57 lm	Luminaire Power	8.35 W	Efficacy	68.69 lm/W	Efficiency	100.00%
Lamps Flux	573.57 lm	Maximum value	315.68 cd/klm	Position	C=285.00 G=5.00	CG Sym. on planes 270-90	

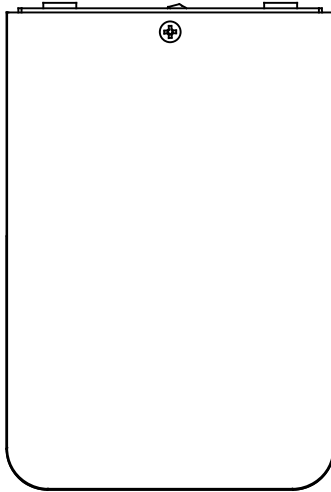
		Average Luminance [cd/m ²]									
		45°	50°	55°	60°	65°	70°	75°	80°	85°	
0.0°	14135	13752	13331	12808	12147	11310	10240	8949	7650	---	
90.0°	13303	12900	12278	11357	9770	7819	3652	270	284	--	

Flush mounted or longitudinal view												
		Illumination(lx)										
A	A	2000	1000	750	500		<300					1.15
B	1		2000	1500	1000	750	500	<300				1.5
C					2000		1000	500	<300			1.85
D	2						2000	1000	500	<300		2.2
E	3							2000	1000	500	<300	2.55

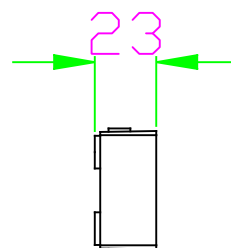
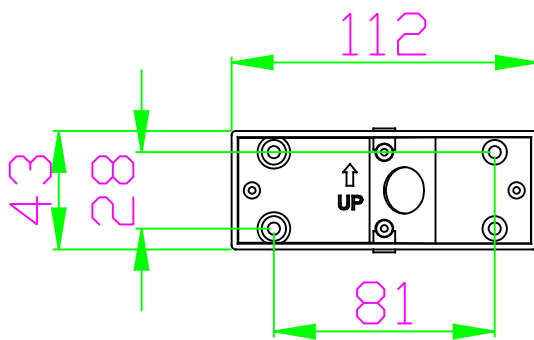




PC Opal diffuser with UV filter



Aluminum / Black





Serenate

PX-0254

FOR
LIGHT

