



Ringo Ø208mm

Instruções de montagem
3D File
Dados fotométricos
Revit



PX-0354-INO

Encastrável no solo IP65/IP67 Ringo Ø208mm E27 Aço inoxidável

CARACTERÍSTICAS TÉCNICAS

IP65/IP67 IK10



Material da estrutura : Aço inoxidável AISI 304

Tensão / Frequência : 100-240V/50-60Hz

Acabamento estrutura : Aço inoxidável

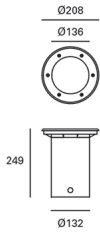
Garantia : 5 Anos

Material do difusor : Vidro

Eficiência energética : Sem lâmpada

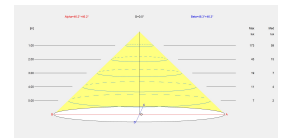
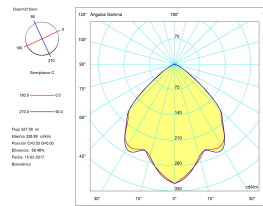
Acabamento difusor : Transparente

Lâmpada recomendada : E27



CARACTERÍSTICAS LUMINOTÉCNICAS

Casquilhos: 1 x E27



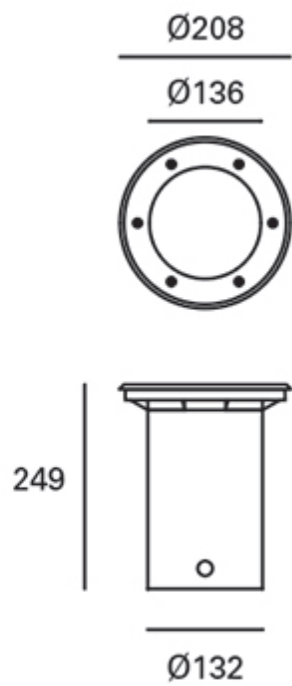
LOGÍSTICA

Peso líquido (kg): 2.58

Peso embalado (kg): 2.93

Embalagem: 210mm x 210mm x 260mm

 8 Un



Luminaire

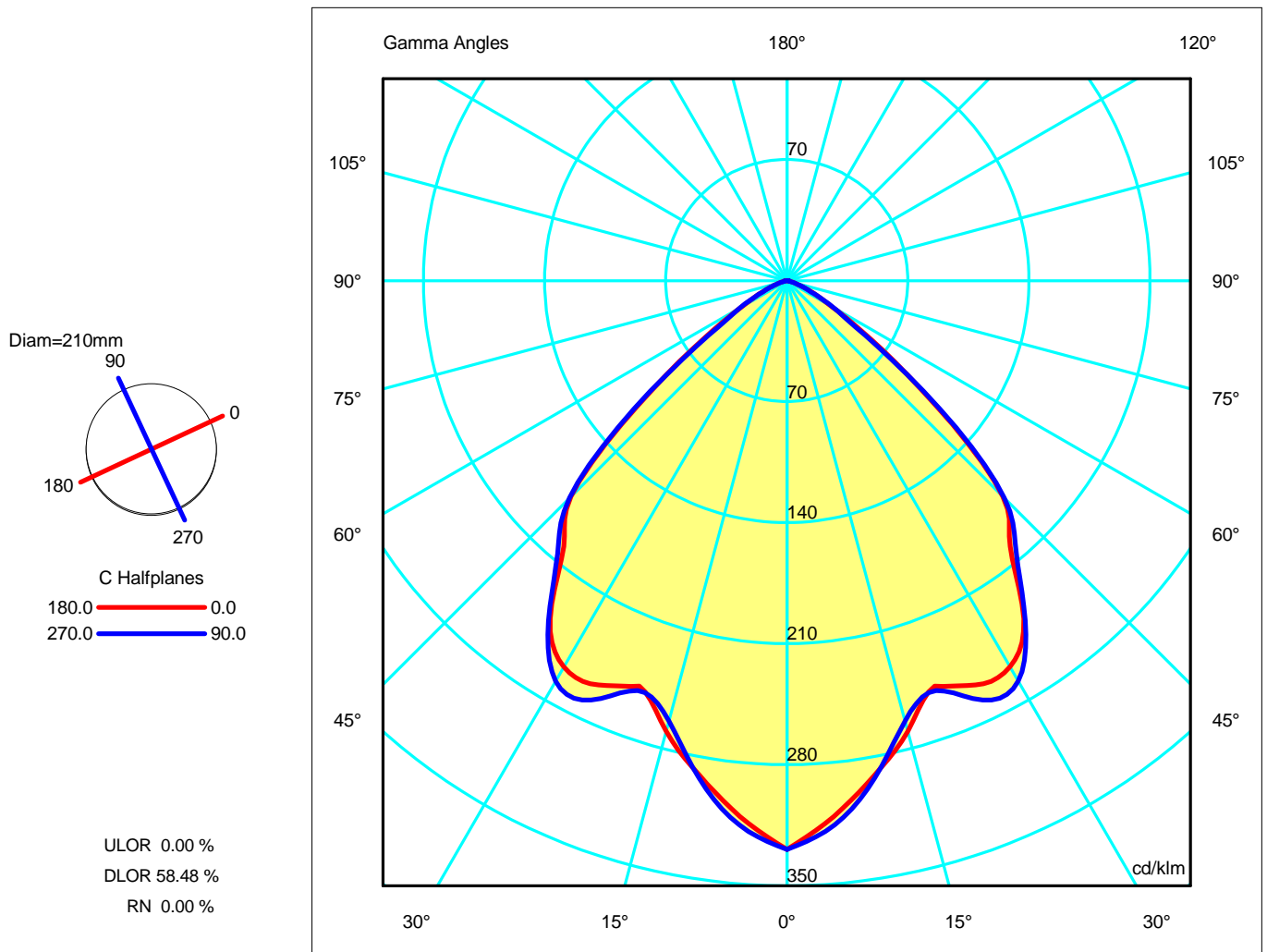
Code PX-0354-INO
 Name Empotrable suelo 60W AI E27

Measur.

Code CL116A17F080G
 Name Empotrable suelo 60W AI E27

Luminaire Flux	308.20 lm	Luminaire Power	42.00 W	Efficacy	7.34 lm/W	Efficiency	58.48%
Lamps Flux	527.00 lm	Maximum value	328.89 cd/klm	Position	C=0.00 G=0.00	CG	Double Symmetrical
Round Luminaire Round Luminous Area		Diam. Diam.	210 mm 136 mm	Height Height	5 mm 0 mm		
Horizontal Luminous Area Emitting area on Plane 0° Emitting area on Plane 90°		0.014527 m2 0.000000 m2 0.000000 m2		Emitting area on Plane 180° Emitting area on Plane 270° Glare area at 76°		0.000000 m2 0.000000 m2 0.003514 m2	
Coordinate system Date Measurement Distance		CG 15-03-2017 0.00		Symmetry Type Maximum Gamma Angle Measurement Flux		Double Symmetrical 90 527.00 lm	
Operator Temperature Humidity Notes		Asselum T2 25.00 °C 60.00 %		Source Voltage [V] Source current [A] Photocell			

Luminaire Lamps						
Line	Code	Name	Flux [lm]	Pow. [W]	Q.ty	
	252026	252026	527.00	42.00	1	
C.I.E.	67 96 100 100 58					D DIN 5040
F UTE	0.58 C					B NBN
						A50
						BZ 2





Luminaire

Code PX-0354-INO
 Name Empotrable suelo 60W AI E27

Measur.

Code CL116A17F080G
 Name Empotrable suelo 60W AI E27

Luminaire Flux	308.20 lm	Luminaire Power	42.00 W	Efficacy	7.34 lm/W	Efficiency	58.48%
Lamps Flux	527.00 lm	Maximum value	328.89 cd/klm	Position	C=0.00 G=0.00	CG	Double Symmetrical

Luminous Intensity Table cd/klm Table 1/1

	C 0.00	C 15.00	C 30.00	C 45.00	C 60.00	C 75.00	C 90.00
G 0.0	328.89	328.89	328.89	328.89	328.89	328.89	328.89
G 5.0	311.06	315.11	314.50	316.20	314.24	316.25	315.94
G 10.0	290.62	294.56	292.57	296.47	291.75	296.11	292.10
G 15.0	269.79	269.28	265.88	274.43	264.22	271.68	263.71
G 20.0	249.61	251.76	250.22	255.90	251.54	256.30	252.33
G 25.0	257.91	261.95	262.51	269.19	265.49	268.40	267.70
G 30.0	257.85	260.07	262.32	268.66	263.87	265.74	267.39
G 35.0	238.64	236.93	239.22	244.34	238.82	239.38	240.18
G 40.0	200.70	202.68	203.28	212.03	199.96	203.19	206.27
G 45.0	176.45	179.61	178.17	188.04	172.86	175.36	177.77
G 50.0	112.90	112.22	114.02	118.37	111.51	110.68	115.58
G 55.0	59.73	58.51	55.98	59.24	56.81	56.82	55.17
G 60.0	30.15	30.44	30.48	31.39	30.24	31.60	30.85
G 65.0	16.43	15.91	15.22	16.05	15.68	15.60	15.39
G 70.0	7.73	7.71	7.81	7.84	7.70	7.75	8.04
G 75.0	3.03	2.88	2.62	2.94	2.72	2.85	2.66
G 80.0	1.34	1.34	1.31	1.36	1.36	1.38	1.45
G 85.0	0.86	0.83	0.79	0.82	0.78	0.83	0.80
G 90.0	0.66	0.62	0.60	0.61	0.58	0.63	0.64

Luminaire

Code PX-0354-INO
 Name Empotrable suelo 60W AI E27

Measur.

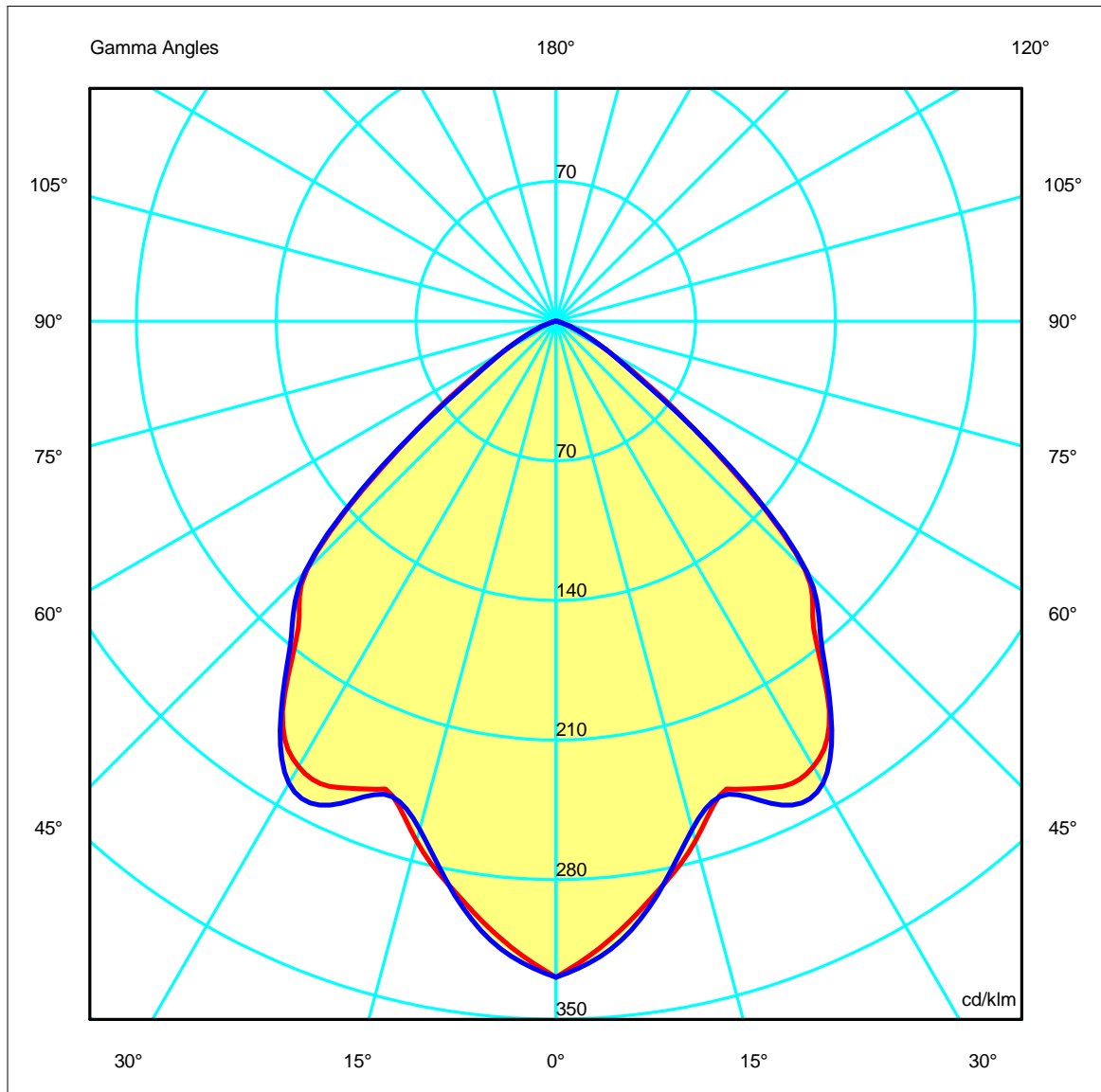
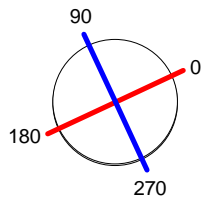
Code CL116A17F080G
 Name Empotrable suelo 60W AI E27

Luminaire Flux	308.20 lm	Luminaire Power	42.00 W	Efficacy	7.34 lm/W	Efficiency	58.48%
Lamps Flux	527.00 lm	Maximum value	328.89 cd/klm	Position	C=0.00 G=0.00	CG	Double Symmetrical

Diam=210mm

C Halfplanes

180.0 ——— 0.0
 270.0 ——— 90.0



Luminaire

Code PX-0354-INO
Name Empotrable suelo 60W AI E27

Measur.

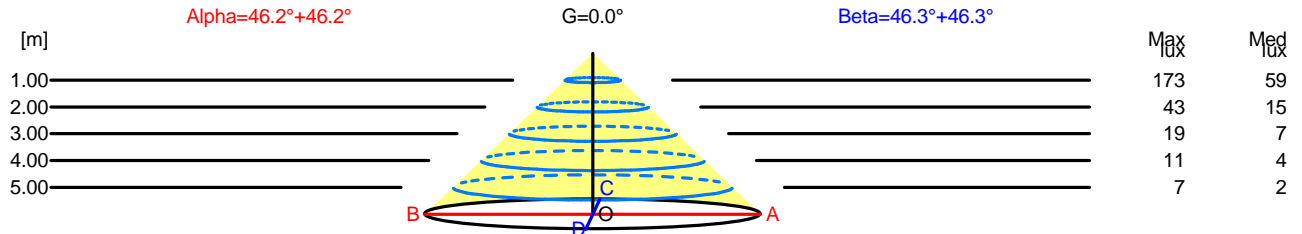
Code CL116A17F080G
Name Empotrable suelo 60W AI E27

Luminaire Flux	308.20 lm	Luminaire Power	42.00 W	Efficacy	7.34 lm/W	Efficiency	58.48%
Lamps Flux	527.00 lm	Maximum value	328.89 cd/klm	Position	C=0.00 G=0.00	CG	Double Symmetrical

Width at 50.00 % of Max Intensity

H[m]	1.00	2.00	3.00	4.00	5.00	H[m]	1.00	2.00	3.00	4.00	5.00
OA	1.04	2.08	3.13	4.17	5.21	OC	1.05	2.09	3.14	4.19	5.23
OB	1.04	2.08	3.13	4.17	5.21	OD	1.05	2.09	3.14	4.19	5.23

	Luminous Intensities [cd/klm]									
	0	5	15	25	35	45	55	65	75	85
OA	173.32	163.93	142.18	135.92	125.76	92.99	31.48	8.66	1.59	0.45
OB	173.32	163.93	142.18	135.92	125.76	92.99	31.48	8.66	1.59	0.45
OC	173.32	166.50	138.98	141.08	126.57	93.68	29.08	8.11	1.40	0.42
OD	173.32	166.50	138.98	141.08	126.57	93.68	29.08	8.11	1.40	0.42



H[m]	D[m]	Max lux	Med lux	Alpha=46.2°+46.2°	G=0.0
1.00	2.08	173	59		
2.00	4.17	43	15		
3.00	6.25	19	7		
4.00	8.34	11	4		
5.00	10.42	7	2		

H[m]	D[m]	Max lux	Med lux	Beta=46.3°+46.3°	G=0.0
1.00	2.09	173	59		
2.00	4.19	43	15		
3.00	6.28	19	7		
4.00	8.37	11	4		
5.00	10.47	7	2		



Luminaire

Code PX-0354-INO
Name Empotrable suelo 60W AI E27

Measurement

Code CL116A17F080G
Name Empotrable suelo 60W AI E27

Luminaire Flux	308.20 lm	Luminaire Power	42.00 W	Efficacy	7.34 lm/W	Efficiency	58.48%
Lamps Flux	527.00 lm	Maximum value	328.89 cd/klm	Position	C=0.00 G=0.00	CG	Double Symmetrical

UGR
S = 0.250

Reflectancies										
Ceiling/Cavity	0.7	0.7	0.5	0.5	0.3	0.7	0.7	0.5	0.5	0.3
Walls	0.5	0.3	0.5	0.3	0.3	0.5	0.3	0.5	0.3	0.3
WorkingPlane	0.2	0.2	0.2	0.2	0.2	0.2	0.2	0.2	0.2	0.2
RoomDimensions	ViewedCrosswise					ViewedEndwise				
x=2H y=2H	17.1	18.1	17.4	18.3	18.5	17.0	18.1	17.3	18.3	18.5
x=2H y=3H	17.0	18.0	17.3	18.2	18.4	17.0	17.9	17.3	18.2	18.4
x=2H y=4H	17.0	17.8	17.3	18.1	18.4	16.9	17.8	17.3	18.1	18.4
x=2H y=6H	16.9	17.7	17.3	18.0	18.3	16.9	17.7	17.2	18.0	18.3
x=2H y=8H	16.9	17.6	17.2	17.9	18.2	16.8	17.6	17.2	17.9	18.2
x=2H y=12H	16.9	17.6	17.2	17.9	18.2	16.8	17.5	17.2	17.8	18.2
x=4H y=2H	17.0	17.9	17.4	18.2	18.4	17.0	17.9	17.3	18.1	18.4
x=4H y=3H	17.1	17.8	17.4	18.1	18.4	17.0	17.7	17.4	18.0	18.4
x=4H y=4H	17.0	17.6	17.4	18.0	18.3	17.0	17.6	17.4	17.9	18.3
x=4H y=6H	16.9	17.5	17.3	17.8	18.2	16.9	17.4	17.3	17.8	18.2
x=4H y=8H	16.9	17.4	17.3	17.8	18.1	16.9	17.4	17.3	17.7	18.1
x=4H y=12H	16.9	17.3	17.3	17.7	18.1	16.8	17.3	17.3	17.7	18.1
x=8H y=4H	16.9	17.4	17.3	17.8	18.1	16.9	17.4	17.3	17.7	18.1
x=8H y=6H	16.8	17.2	17.3	17.7	18.1	16.8	17.2	17.3	17.6	18.1
x=8H y=8H	16.8	17.2	17.3	17.6	18.0	16.8	17.1	17.3	17.6	18.0
x=8H y=12H	16.8	17.1	17.2	17.5	18.0	16.7	17.0	17.2	17.5	18.0
x=12H y=4H	16.9	17.3	17.3	17.7	18.1	16.8	17.3	17.3	17.7	18.1
x=12H y=6H	16.8	17.1	17.3	17.6	18.0	16.8	17.1	17.2	17.5	18.0
x=12H y=8H	16.8	17.0	17.2	17.5	18.0	16.7	17.0	17.2	17.5	18.0

Luminaire

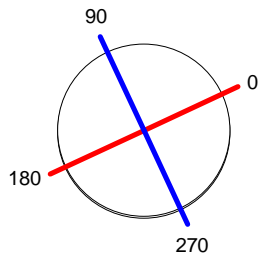
Code PX-0354-INO
 Name Empotrable suelo 60W AI E27

Measur.

Code CL116A17F080G
 Name Empotrable suelo 60W AI E27

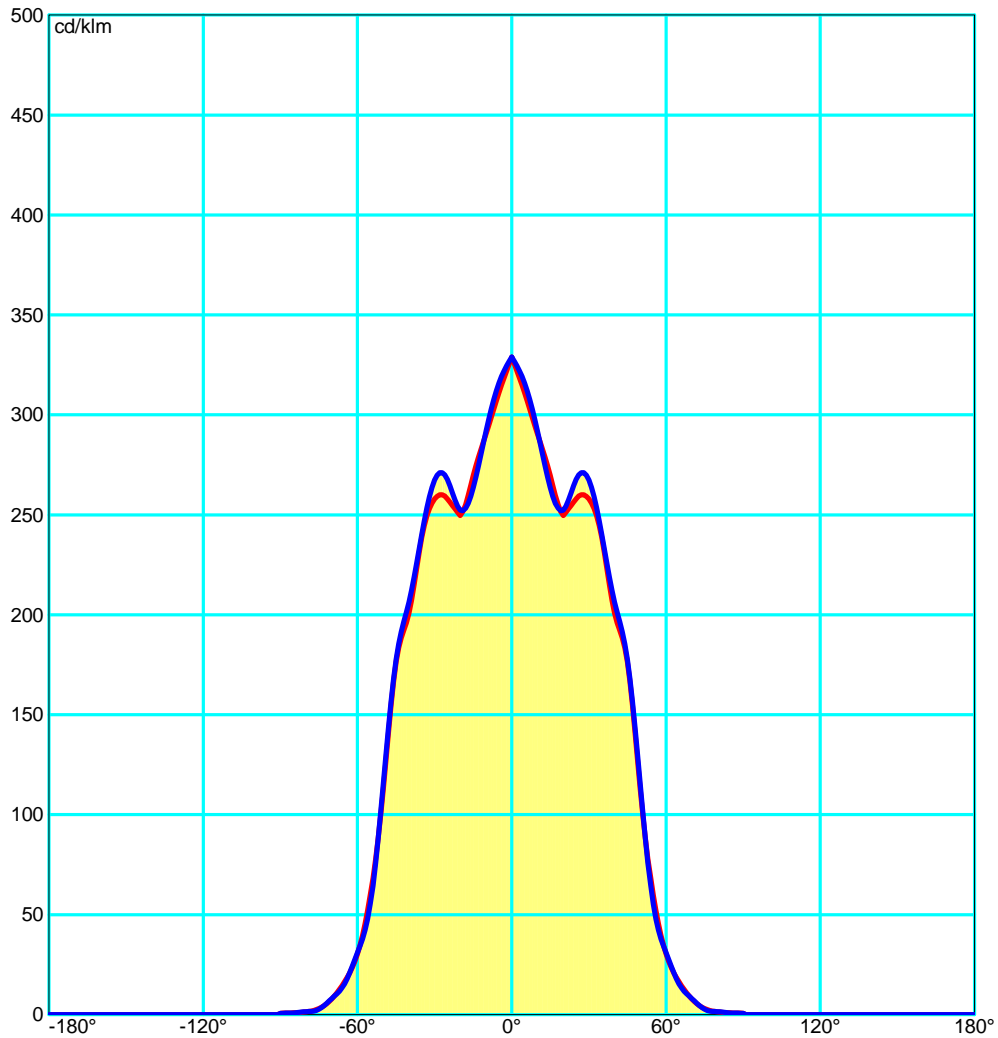
Luminaire Flux	308.20 lm	Luminaire Power	42.00 W	Efficacy	7.34 lm/W	Efficiency	58.48%
Lamps Flux	527.00 lm	Maximum value	328.89 cd/klm	Position	C=0.00 G=0.00	CG	Double Symmetrical

Diam=210mm



C Halfplanes

180.0 ———— 0.0
 270.0 ———— 90.0



Luminaire

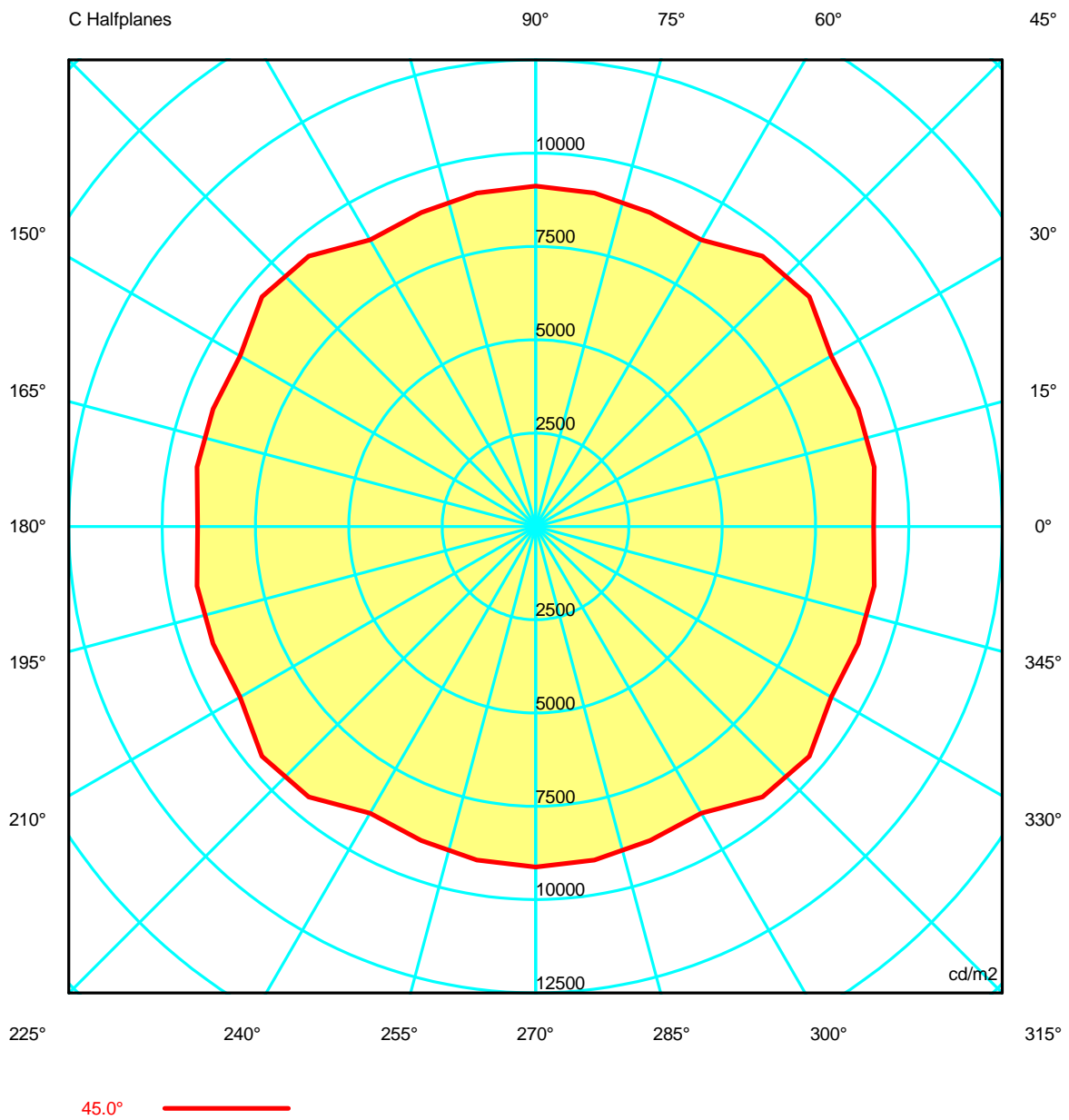
Code PX-0354-INO
 Name Empotrable suelo 60W AI E27

Measur.

Code CL116A17F080G
 Name Empotrable suelo 60W AI E27

Luminaire Flux	308.20 lm	Luminaire Power	42.00 W	Efficacy	7.34 lm/W	Efficiency	58.48%
Lamps Flux	527.00 lm	Maximum value	328.89 cd/klm	Position	C=0.00 G=0.00	CG	Double Symmetrical

Luminance





Luminaire

Code PX-0354-INO
Name Empotrable suelo 60W AI E27

Measur.

Code CL116A17F080G
Name Empotrable suelo 60W AI E27

Luminaire Flux	308.20 lm	Luminaire Power	42.00 W	Efficacy	7.34 lm/W	Efficiency	58.48%
Lamps Flux	527.00 lm	Maximum value	328.89 cd/klm	Position	C=0.00 G=0.00	CG	Double Symmetrical

Luminance cd/m2 Table 1/3

	C 0.00	C 10.00	C 20.00	C 30.00	C 40.00	C 50.00	C 60.00	C 70.00	C 80.00	C 90.00	C 100.00	C 110.00	C 120.00
G 0.0	11931.33	11931.33	11931.33	11931.33	11931.33	11931.33	11931.33	11931.33	11931.33	11931.33	11931.33	11931.33	11931.33
G 5.0	11327.70	11446.43	11473.45	11453.12	11501.99	11495.66	11443.49	11487.95	11526.53	11505.49	11526.53	11487.95	11443.49
G 10.0	10705.60	10832.88	10824.11	10777.73	10894.03	10872.89	10747.55	10852.97	10901.09	10760.19	10901.09	10852.97	10747.55
G 15.0	10132.83	10119.87	10038.63	9985.81	10250.23	10203.23	9923.65	10103.81	10185.15	9904.50	10185.15	10103.81	9923.65
G 20.0	9636.67	9717.15	9686.61	9659.88	9830.68	9838.18	9711.16	9832.01	9889.97	9741.42	9889.97	9832.01	9711.16
G 25.0	10323.66	10455.36	10492.91	10507.91	10712.06	10750.18	10627.28	10693.07	10759.22	10715.43	10759.22	10693.07	10627.28
G 30.0	10801.53	10871.68	10907.15	10988.63	11201.55	11214.43	11053.44	11082.02	11166.84	11201.04	11166.84	11082.02	11053.44
G 35.0	10568.66	10507.94	10497.32	10594.55	10786.64	10765.97	10576.54	10593.03	10622.70	10636.72	10622.70	10593.03	10576.54
G 40.0	9504.50	9567.12	9607.84	9626.65	9979.49	9901.63	9469.75	9512.78	9699.04	9768.30	9699.04	9512.78	9469.75
G 45.0	9052.62	9210.52	9190.30	9141.13	9570.89	9458.86	8868.69	8953.96	9072.76	9120.44	9072.76	8953.96	8868.69
G 50.0	6371.78	6341.34	6337.09	6435.06	6651.81	6592.59	6293.20	6206.71	6320.59	6523.04	6320.59	6206.71	6293.20
G 55.0	3777.84	3746.96	3625.86	3540.96	3690.80	3695.80	3593.28	3593.56	3576.75	3489.51	3576.75	3593.56	3593.28
G 60.0	2187.56	2201.74	2209.63	2211.21	2269.04	2251.18	2193.84	2258.68	2296.21	2238.43	2296.21	2258.68	2193.84
G 65.0	1410.46	1386.01	1337.74	1306.87	1355.48	1376.94	1346.16	1341.35	1335.72	1321.38	1335.72	1341.35	1346.16
G 70.0	820.20	817.13	820.27	828.45	833.29	827.37	816.61	816.68	830.23	852.54	830.23	816.68	816.61
G 75.0	424.06	414.64	386.04	366.56	399.71	406.42	380.86	392.61	397.60	373.36	397.60	392.61	380.86
G 80.0	279.61	279.21	276.18	272.83	280.32	284.37	284.57	286.89	292.10	303.01	292.10	286.89	284.57
G 85.0	357.64	352.26	339.41	329.95	340.18	337.60	325.47	338.51	346.14	334.23	346.14	338.51	325.47
G 90.0	0.00	0.00	0.00	0.00	0.00	0.00	0.00	0.00	0.00	0.00	0.00	0.00	0.00



Luminaire

Code PX-0354-INO
Name Empotrable suelo 60W AI E27

Measurment

Code CL116A17F080G
Name Empotrable suelo 60W AI E27

Luminaire Flux	308.20 lm	Luminaire Power	42.00 W	Efficacy	7.34 lm/W	Efficiency	58.48%
Lamps Flux	527.00 lm	Maximum value	328.89 cd/klm	Position	C=0.00 G=0.00	CG	Double Symmetrical

Luminance cd/m2 Table 2/3

	C 130.00	C 140.00	C 150.00	C 160.00	C 170.00	C 180.00	C 190.00	C 200.00	C 210.00	C 220.00	C 230.00	C 240.00	C 250.00
G 0.0	11931.33	11931.33	11931.33	11931.33	11931.33	11931.33	11931.33	11931.33	11931.33	11931.33	11931.33	11931.33	11931.33
G 5.0	11495.66	11501.99	11453.12	11473.45	11446.43	11327.70	11446.43	11473.45	11453.12	11501.99	11495.66	11443.49	11487.95
G 10.0	10872.89	10894.03	10777.73	10824.11	10832.88	10705.60	10832.88	10824.11	10777.73	10894.03	10872.89	10747.55	10852.97
G 15.0	10203.23	10250.23	9985.81	10038.63	10119.87	10132.83	10119.87	10038.63	9985.81	10250.23	10203.23	9923.65	10103.81
G 20.0	9838.18	9830.68	9659.88	9686.61	9717.15	9636.67	9717.15	9686.61	9659.88	9830.68	9838.18	9711.16	9832.01
G 25.0	10750.18	10712.06	10507.91	10492.91	10455.36	10323.66	10455.36	10492.91	10507.91	10712.06	10750.18	10627.28	10693.07
G 30.0	11214.43	11201.55	10988.63	10907.15	10871.68	10801.53	10871.68	10907.15	10988.63	11201.55	11214.43	11053.44	11082.02
G 35.0	10765.97	10786.64	10594.55	10497.32	10507.94	10568.66	10507.94	10497.32	10594.55	10786.64	10765.97	10576.54	10593.03
G 40.0	9901.63	9979.49	9626.65	9607.84	9567.12	9504.50	9567.12	9607.84	9626.65	9979.49	9901.63	9469.75	9512.78
G 45.0	9458.86	9570.89	9141.13	9190.30	9210.52	9052.62	9210.52	9190.30	9141.13	9570.89	9458.86	8868.69	8953.96
G 50.0	6592.59	6651.81	6435.06	6337.09	6341.34	6371.78	6341.34	6337.09	6435.06	6651.81	6592.59	6293.20	6206.71
G 55.0	3695.80	3690.80	3540.96	3625.86	3746.96	3777.84	3746.96	3625.86	3540.96	3690.80	3695.80	3593.28	3593.56
G 60.0	2251.18	2269.04	2211.21	2209.63	2201.74	2187.56	2201.74	2209.63	2211.21	2269.04	2251.18	2193.84	2258.68
G 65.0	1376.94	1355.48	1306.87	1337.74	1386.01	1410.46	1386.01	1337.74	1306.87	1355.48	1376.94	1346.16	1341.35
G 70.0	827.37	833.29	828.45	820.27	817.13	820.20	817.13	820.27	828.45	833.29	827.37	816.61	816.68
G 75.0	406.42	399.71	366.56	386.04	414.64	424.06	414.64	386.04	366.56	399.71	406.42	380.86	392.61
G 80.0	284.37	280.32	272.83	276.18	279.21	279.61	279.21	276.18	272.83	280.32	284.37	284.57	286.89
G 85.0	337.60	340.18	329.95	339.41	352.26	357.64	352.26	339.41	329.95	340.18	337.60	325.47	338.51
G 90.0	0.00	0.00	0.00	0.00	0.00	0.00	0.00	0.00	0.00	0.00	0.00	0.00	0.00

Luminaire

Code PX-0354-INO
Name Empotrable suelo 60W AI E27

Measur.

Code CL116A17F080G
Name Empotrable suelo 60W AI E27

Luminaire Flux	308.20 lm	Luminaire Power	42.00 W	Efficacy	7.34 lm/W	Efficiency	58.48%
Lamps Flux	527.00 lm	Maximum value	328.89 cd/klm	Position	C=0.00 G=0.00	CG	Double Symmetrical

Luminance cd/m2 Table 3/3

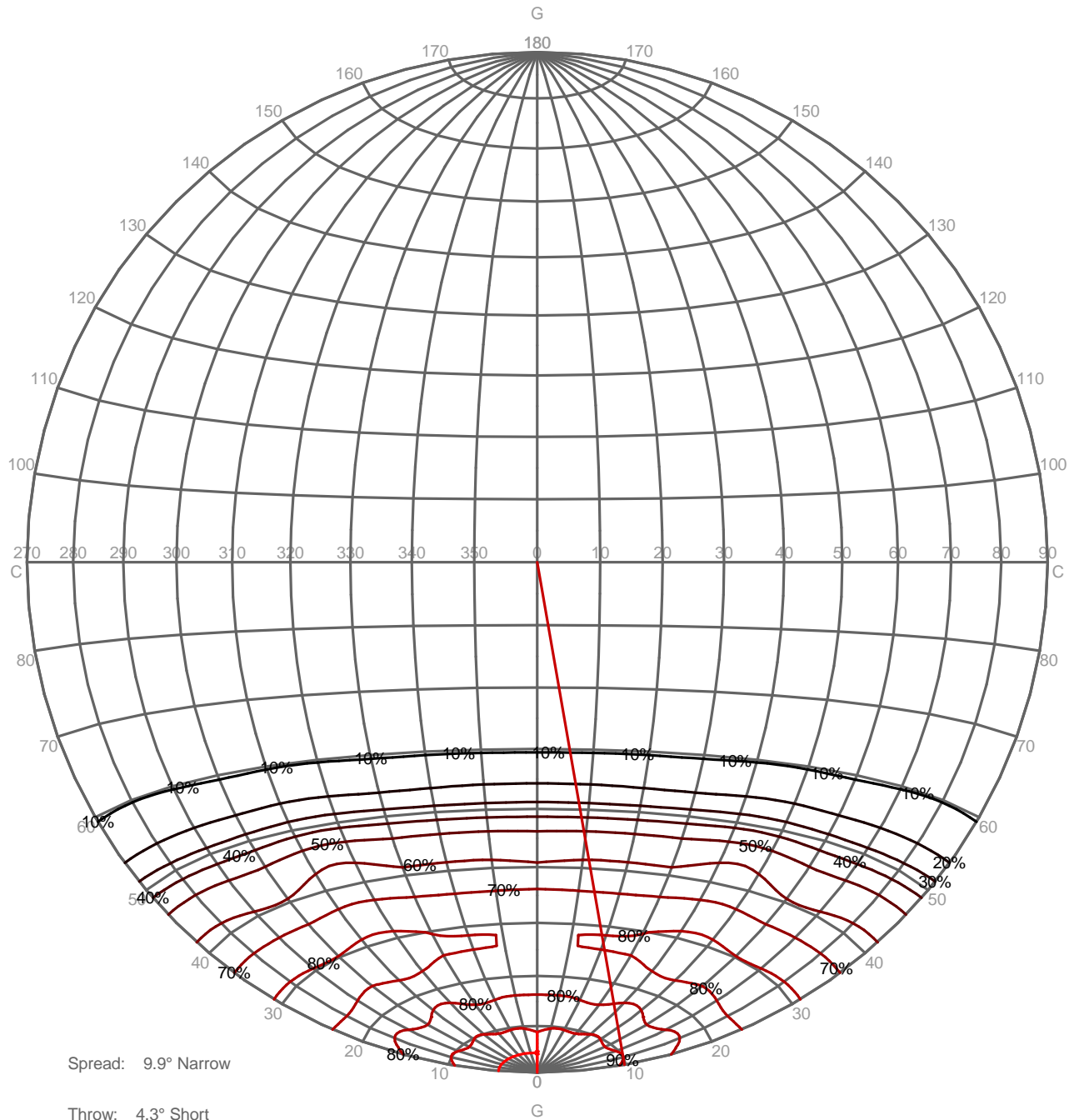
	C 260.00	C 270.00	C 280.00	C 290.00	C 300.00	C 310.00	C 320.00	C 330.00	C 340.00	C 350.00
G 0.0	11931.33	11931.33	11931.33	11931.33	11931.33	11931.33	11931.33	11931.33	11931.33	11931.33
G 5.0	11526.53	11505.49	11526.53	11487.95	11443.49	11495.66	11501.99	11453.12	11473.45	11446.43
G 10.0	10901.09	10760.19	10901.09	10852.97	10747.55	10872.89	10894.03	10777.73	10824.11	10832.88
G 15.0	10185.15	9904.50	10185.15	10103.81	9923.65	10203.23	10250.23	9985.81	10038.63	10119.87
G 20.0	9889.97	9741.42	9889.97	9832.01	9711.16	9838.18	9830.68	9659.88	9686.61	9717.15
G 25.0	10759.22	10715.43	10759.22	10693.07	10627.28	10750.18	10712.06	10507.91	10492.91	10455.36
G 30.0	11166.84	11201.04	11166.84	11082.02	11053.44	11214.43	11201.55	10988.63	10907.15	10871.68
G 35.0	10622.70	10636.72	10622.70	10593.03	10576.54	10765.97	10786.64	10594.55	10497.32	10507.94
G 40.0	9699.04	9768.30	9699.04	9512.78	9469.75	9901.63	9979.49	9626.65	9607.84	9567.12
G 45.0	9072.76	9120.44	9072.76	8953.96	8868.69	9458.86	9570.89	9141.13	9190.30	9210.52
G 50.0	6320.59	6523.04	6320.59	6206.71	6293.20	6592.59	6651.81	6435.06	6337.09	6341.34
G 55.0	3576.75	3489.51	3576.75	3593.56	3593.28	3695.80	3690.80	3540.96	3625.86	3746.96
G 60.0	2296.21	2238.43	2296.21	2258.68	2193.84	2251.18	2269.04	2211.21	2209.63	2201.74
G 65.0	1335.72	1321.38	1335.72	1341.35	1346.16	1376.94	1355.48	1306.87	1337.74	1386.01
G 70.0	830.23	852.54	830.23	816.68	816.61	827.37	833.29	828.45	820.27	817.13
G 75.0	397.60	373.36	397.60	392.61	380.86	406.42	399.71	366.56	386.04	414.64
G 80.0	292.10	303.01	292.10	286.89	284.57	284.37	280.32	272.83	276.18	279.21
G 85.0	346.14	334.23	346.14	338.51	325.47	337.60	340.18	329.95	339.41	352.26
G 90.0	0.00	0.00	0.00	0.00	0.00	0.00	0.00	0.00	0.00	0.00

Luminaire
 Code PX-0354-INO
 Name Empotrable suelo 60W AI E27
Measur.
 Code CL116A17F080G
 Name Empotrable suelo 60W AI E27

Luminaire Flux	308.20 lm	Luminaire Power	42.00 W	Efficacy	7.34 lm/W	Efficiency	58.48%
Lamps Flux	527.00 lm	Maximum value	328.89 cd/klm	Position	C=0.00 G=0.00	CG	Double Symmetrical

PERCENTAGE ISOCANDLES

Projection: Equal Area SLI 11.8 Tight Tilting Angle:0°



Luminaire

Code PX-0354-INO
 Name Empotrable suelo 60W AI E27

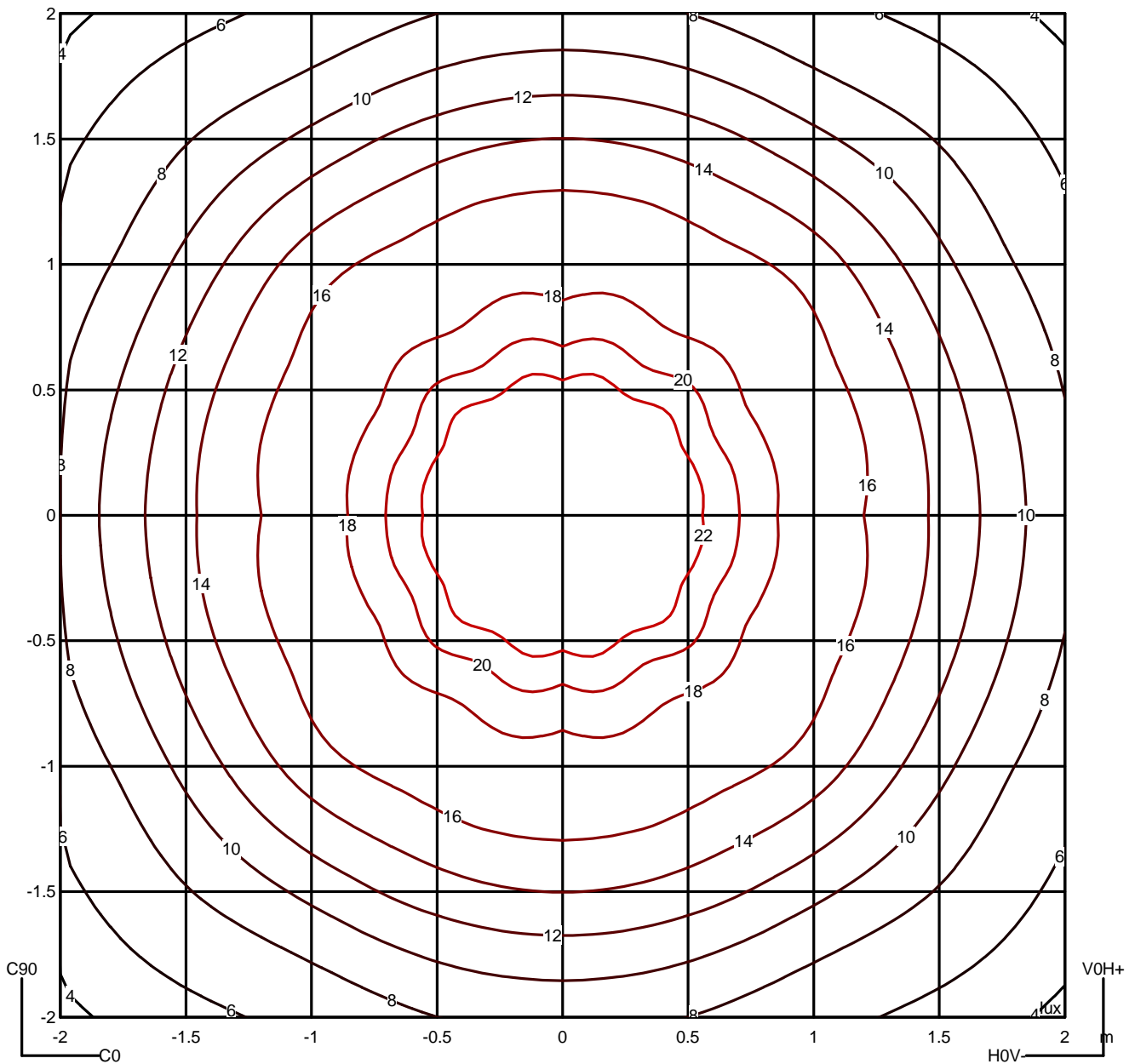
Measur.

Code CL116A17F080G
 Name Empotrable suelo 60W AI E27

Luminaire Flux	308.20 lm	Luminaire Power	42.00 W	Efficacy	7.34 lm/W	Efficiency	58.48%
Lamps Flux	527.00 lm	Maximum value	328.89 cd/klm	Position	C=0.00 G=0.00	CG	Double Symmetrical

Isolux (Floor)

Luminaire position X=0.00m Y=0.00m Z=2.50m



Luminaire

Code PX-0354-INO
 Name Empotrable suelo 60W AI E27

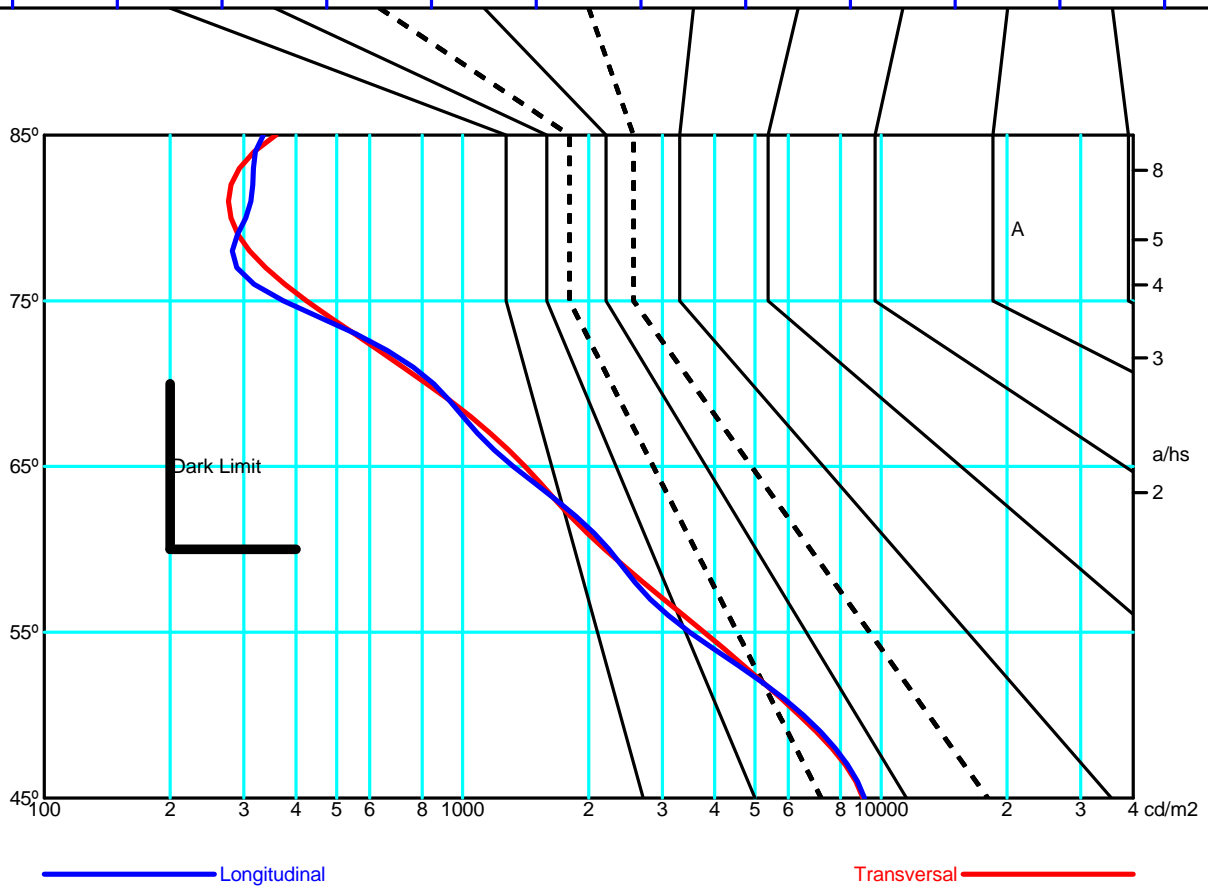
Measurment

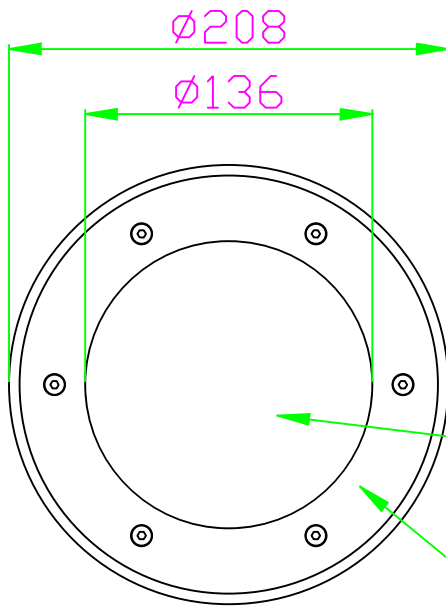
Code CL116A17F080G
 Name Empotrable suelo 60W AI E27

Luminaire Flux	308.20 lm	Luminaire Power	42.00 W	Efficacy	7.34 lm/W	Efficiency	58.48%
Lamps Flux	527.00 lm	Maximum value	328.89 cd/klm	Position	C=0.00 G=0.00	CG	Double Symmetrical

		Average Luminance [cd/m²]									
		45°	50°	55°	60°	65°	70°	75°	80°	85°	
0.0°	9053	6372	3778	2188	1410	820	424	280	358	---	
90.0°	9120	6523	3490	2238	1321	853	373	303	334	---	

Flush mounted or longitudinal view												
		Illumination(lx)										
A	A	2000	1000	750	500		<300				1.15	
B	1		2000	1500	1000	750	500	<300			1.5	
C					2000		1000	500	<300		1.85	
D	2						2000	1000	500	<300	2.2	
E	3							2000	1000	500	<300	2.55

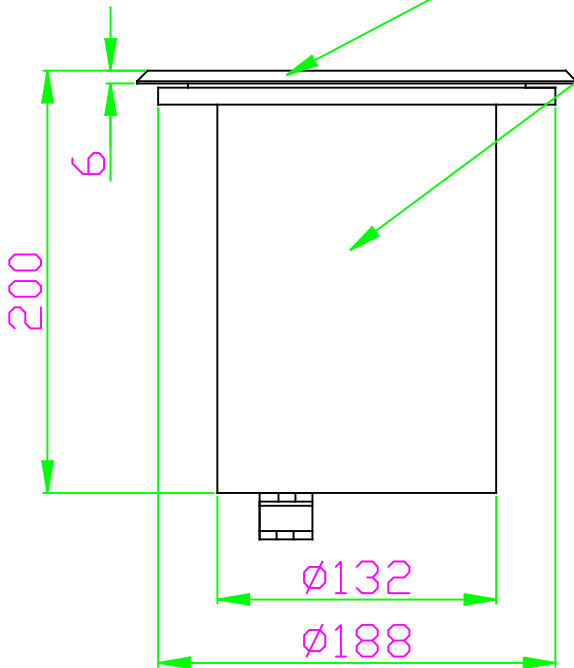




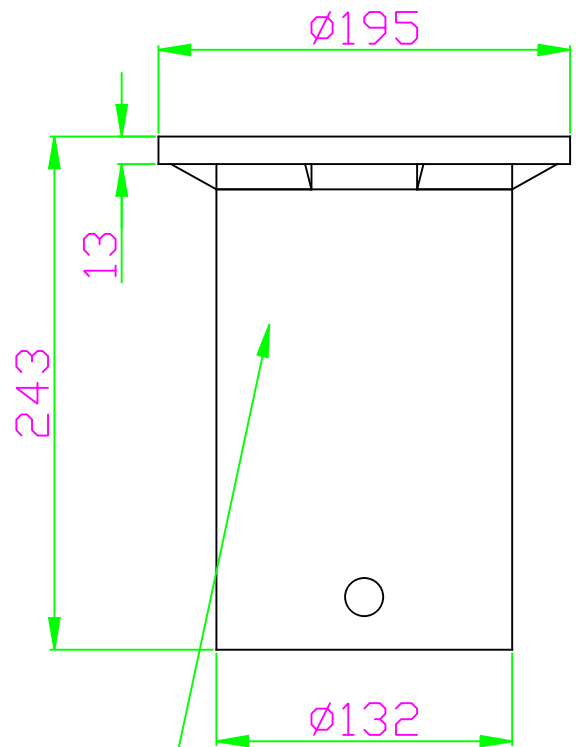
GLASS / TRANSPARENT

STAINLESS STEEL AISI 304

ALUMINIUM / BLACK



FITTING BOX



POLYPROPYLENE / BLACK

